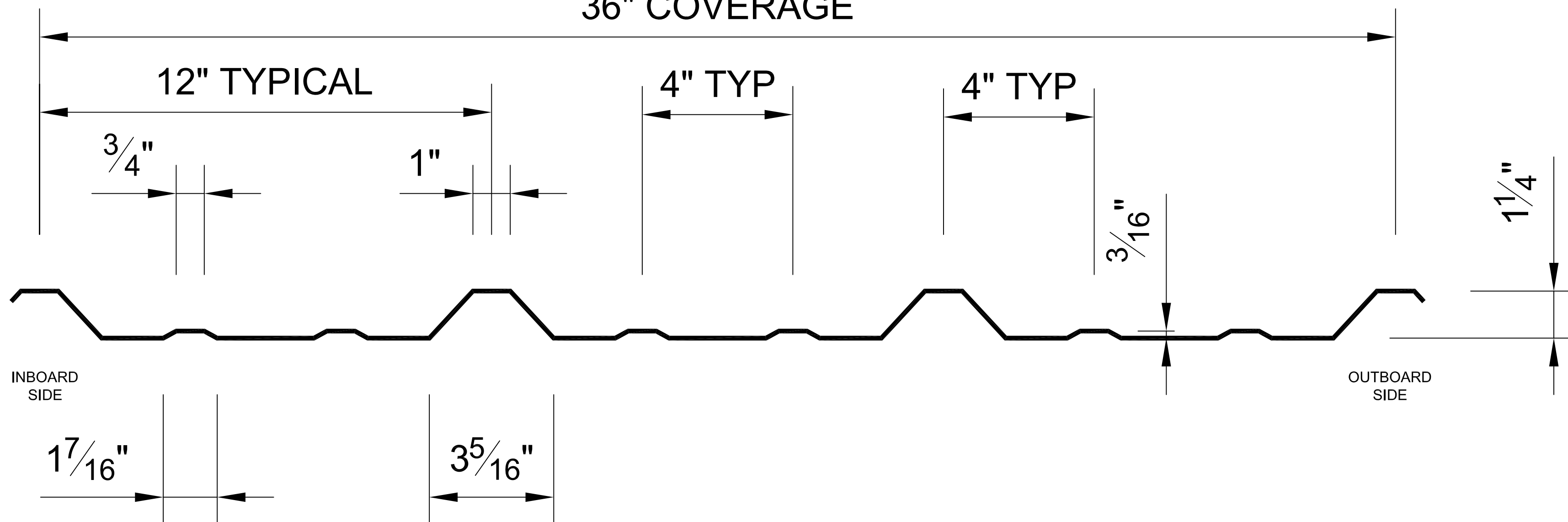




CUSTOM STEEL BUILDINGS
 P.O. BOX 2314
 MUSCLE SHOALS, ALABAMA 35662
 PHONE:(256) 383-7322 FAX:(256) 381-9669

36" COVERAGE



BigbeeRib II Profile

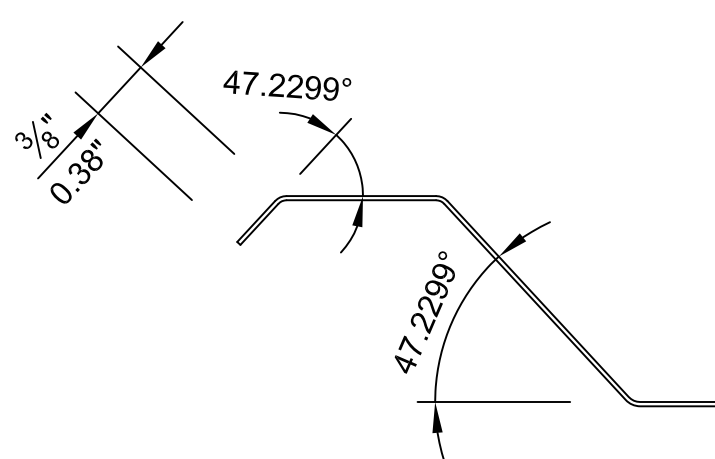
ALL RIGHTS RESERVED. NO PART OF THIS DOCUMENT MAY BE REPRODUCED IN ANY FORM OR BY ANY MEANS WITHOUT WRITTEN PERMISSION.
 © COPYRIGHT 2005

REVISIONS

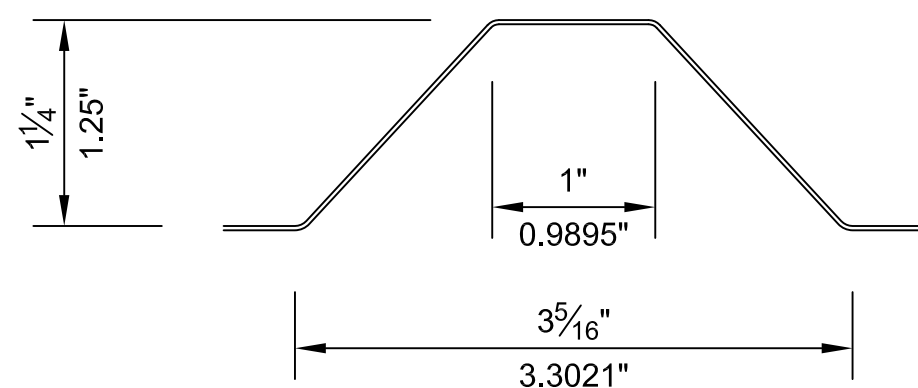
NO	DATE	BY	DESCRIPTION
1			
2			
3			
4			
5			

DESIGN CERTIFICATION

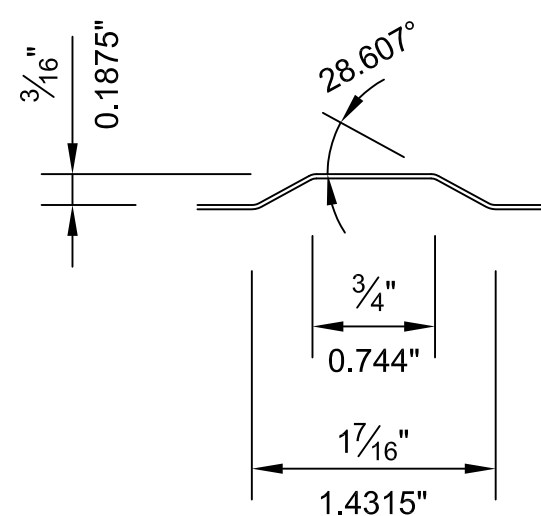
CERTIFICATION OF THE METAL BUILDING COMPONENTS SUPPLIED BY BIGBEE STEEL BUILDINGS, INC. IS LIMITED TO THE LOADS SPECIFIED ON THE BIGBEE STEEL BUILDINGS, INC. PURCHASE ORDER. THE BUILDING MUST BE ERECTED IN ACCORDANCE WITH THE ERECTION DRAWINGS AND EXCLUDES ITEMS NOT SUPPLIED BY BIGBEE STEEL BUILDINGS, INC. THE UNDERSIGNED IS NOT THE ENGINEER OF RECORD FOR THE OVERALL PROJECT.



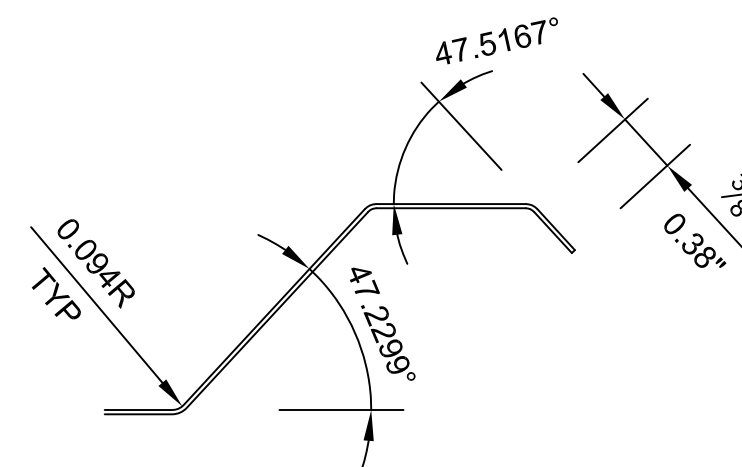
INBOARD RIB DETAIL
 NO BEARING LEG SHOWN



CENTER RIB DETAILS AND
 INBOARD SIDE WHEN RUN
 WITH BEARING LEG



MINOR RIB DETAIL



OVERLAP RIB DETAIL
 OUTBOARD SIDE

M E M B E R



DRAWING NAME:
BigbeeRib II Profile

CUSTOMER:
 PROJECT:

FILENAME: JOB #

DRAWN	CAD	SLM	DRAWING #
CHECKED	SCALE	NTS	BR11
APPROVED	DATE	03.29.05	