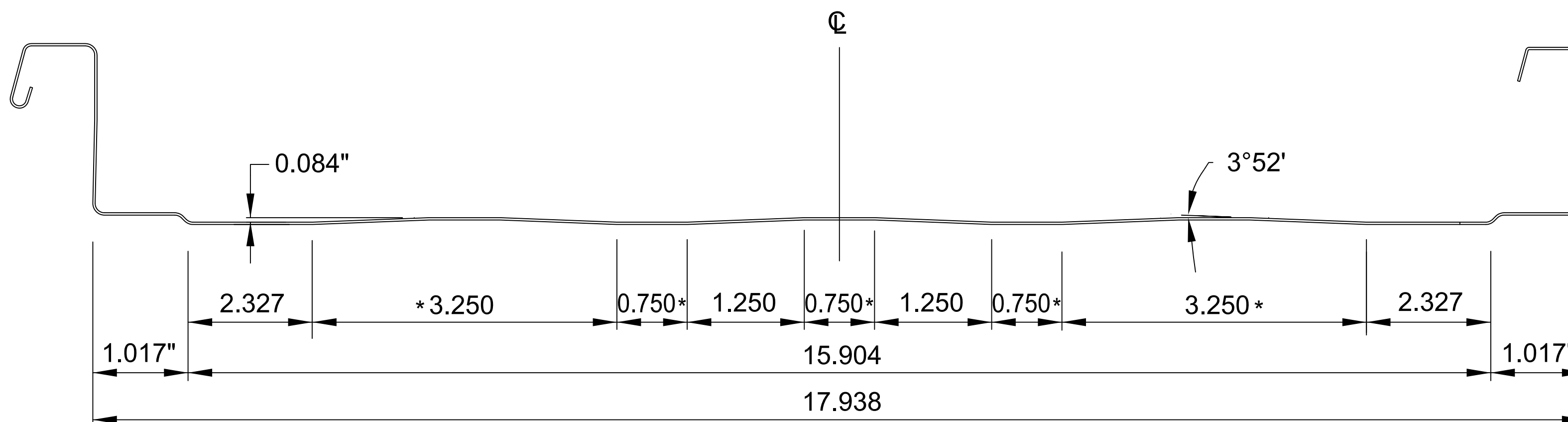


CUSTOM STEEL BUILDINGS
 P.O. BOX 2314
 MUSCLE SHOALS, ALABAMA 35662
 PHONE:(256) 383-7322 FAX:(256) 381-9669



* ORIGIN TO ORIGIN VALUE

BigbeeVR-218 Profile

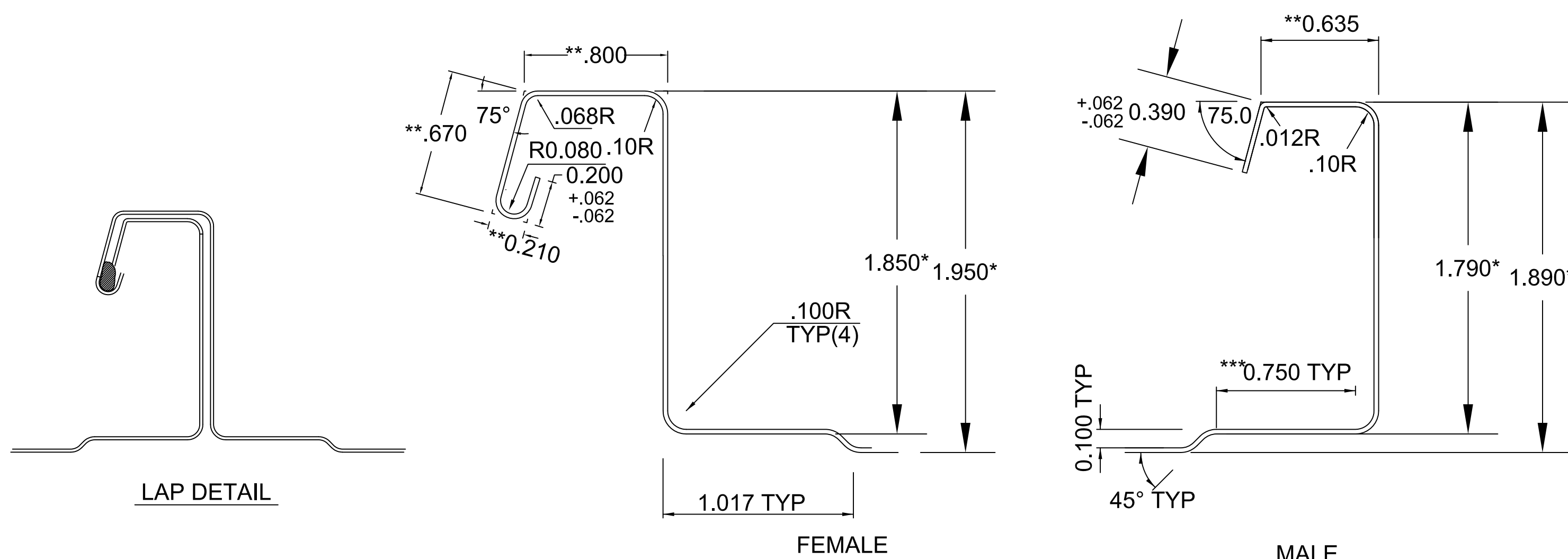
ALL RIGHTS RESERVED. NO PART OF THIS DOCUMENT MAY BE REPRODUCED IN ANY FORM OR BY ANY MEANS WITHOUT WRITTEN PERMISSION.
 © COPYRIGHT 2007

REVISIONS

NO	DATE	BY	DESCRIPTION
1			
2			
3			
4			
5			

DESIGN CERTIFICATION

CERTIFICATION OF THE METAL BUILDING COMPONENTS SUPPLIED BY BIGBEE STEEL BUILDINGS, INC. IS LIMITED TO THE LOADS SPECIFIED ON THE BIGBEE STEEL BUILDINGS, INC. PURCHASE ORDER. THE BUILDING MUST BE ERECTED IN ACCORDANCE WITH THE ERECTION DRAWINGS AND EXCLUDES ITEMS NOT SUPPLIED BY BIGBEE STEEL BUILDINGS, INC. THE UNDERSIGNED IS NOT THE ENGINEER OF RECORD FOR THE OVERALL PROJECT.

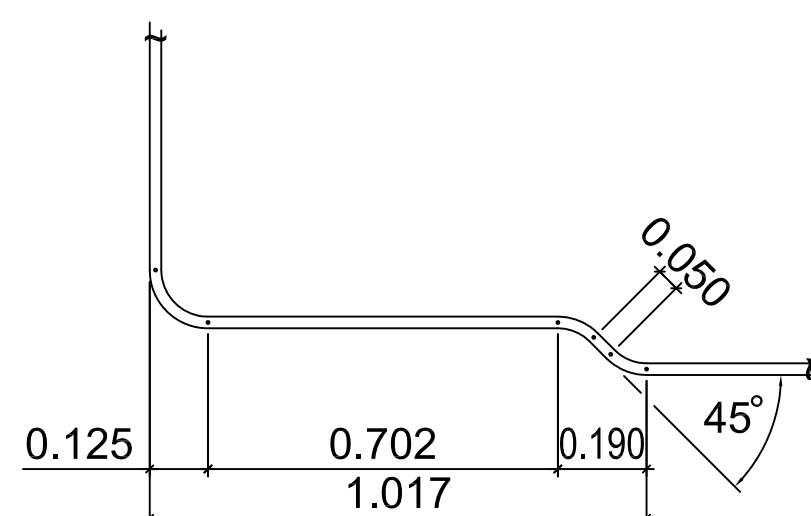


LAP DETAIL

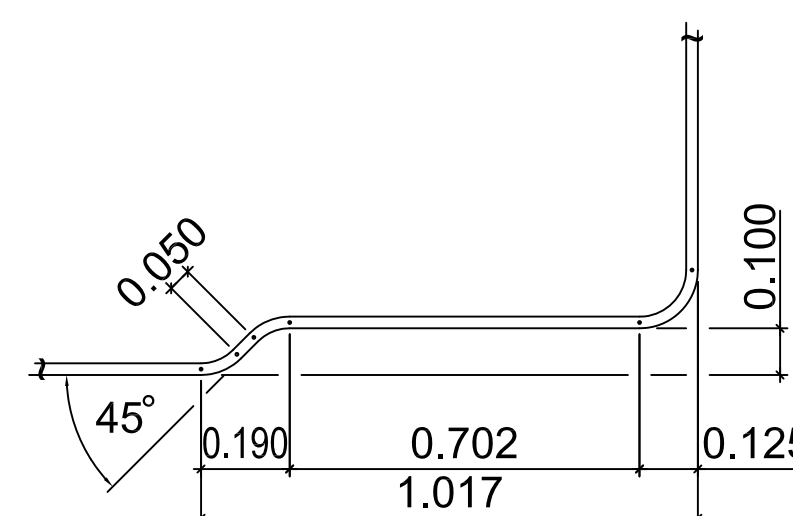
FEMALE

MALE

ALL DIMENSIONS BOTTOM OF SHEET INTERCEPTS U.O.N.
 * TOP TO BOTTOM OF SHEET
 ** TOP OF SHEET INTERCEPTS
 *** ORIGIN TO ORIGIN



SHOULDER RIB (AT FEMALE SIDE)



SHOULDER RIB (AT MALE SIDE)

M E M B E R



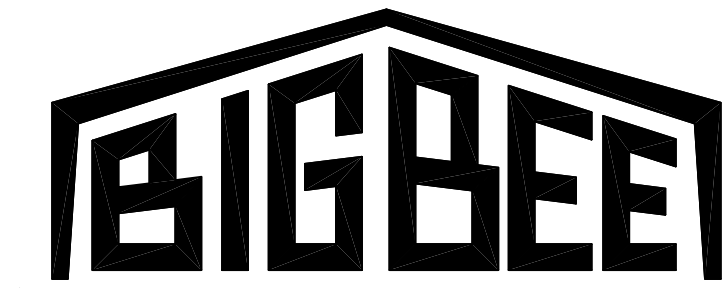
DRAWING NAME:
BigbeeVR-218 Profile

CUSTOMER:

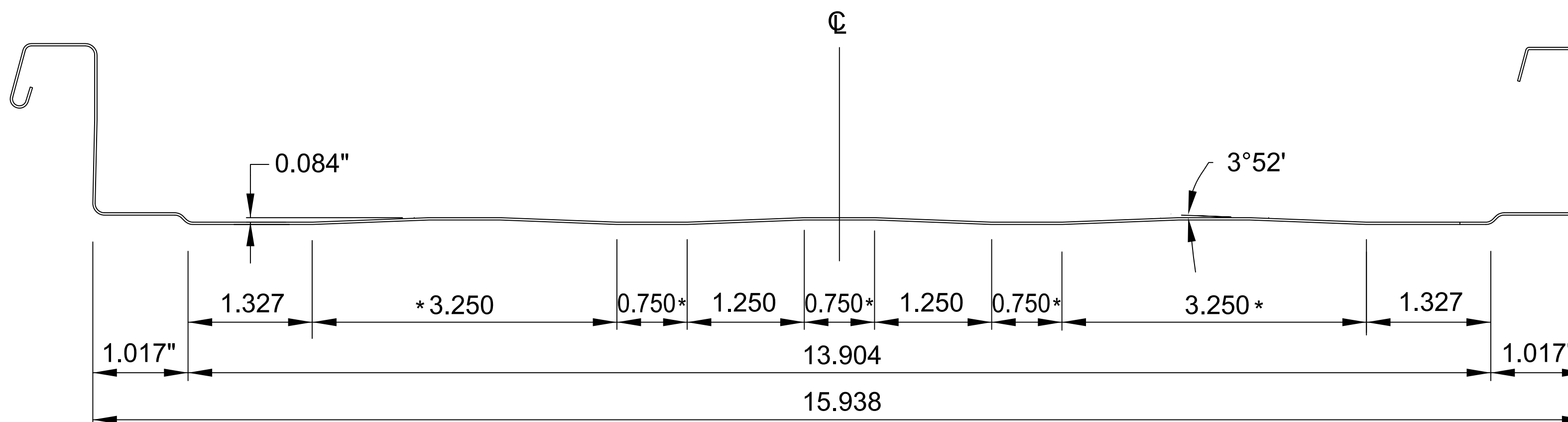
PROJECT:

FILENAME: JOB #

DRAWN	CAD	SLM	DRAWING #
CHECKED	SCALE	NTS	BVR218
APPROVED	DATE	06.22.07	



CUSTOM STEEL BUILDINGS
 P.O. BOX 2314
 MUSCLE SHOALS, ALABAMA 35662
 PHONE:(256) 383-7322 FAX:(256) 381-9669



* ORIGIN TO ORIGIN VALUE

BigbeeVR-216 Profile

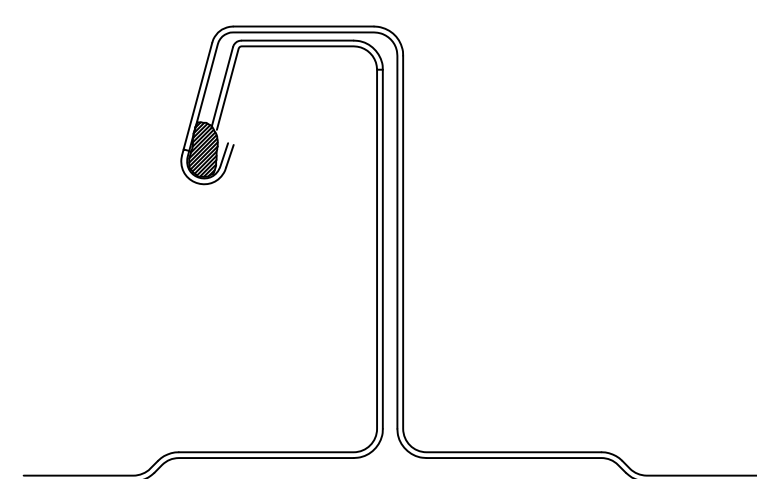
ALL RIGHTS RESERVED. NO PART OF THIS DOCUMENT MAY BE REPRODUCED IN ANY FORM OR BY ANY MEANS WITHOUT WRITTEN PERMISSION.
 © COPYRIGHT 2007

REVISIONS

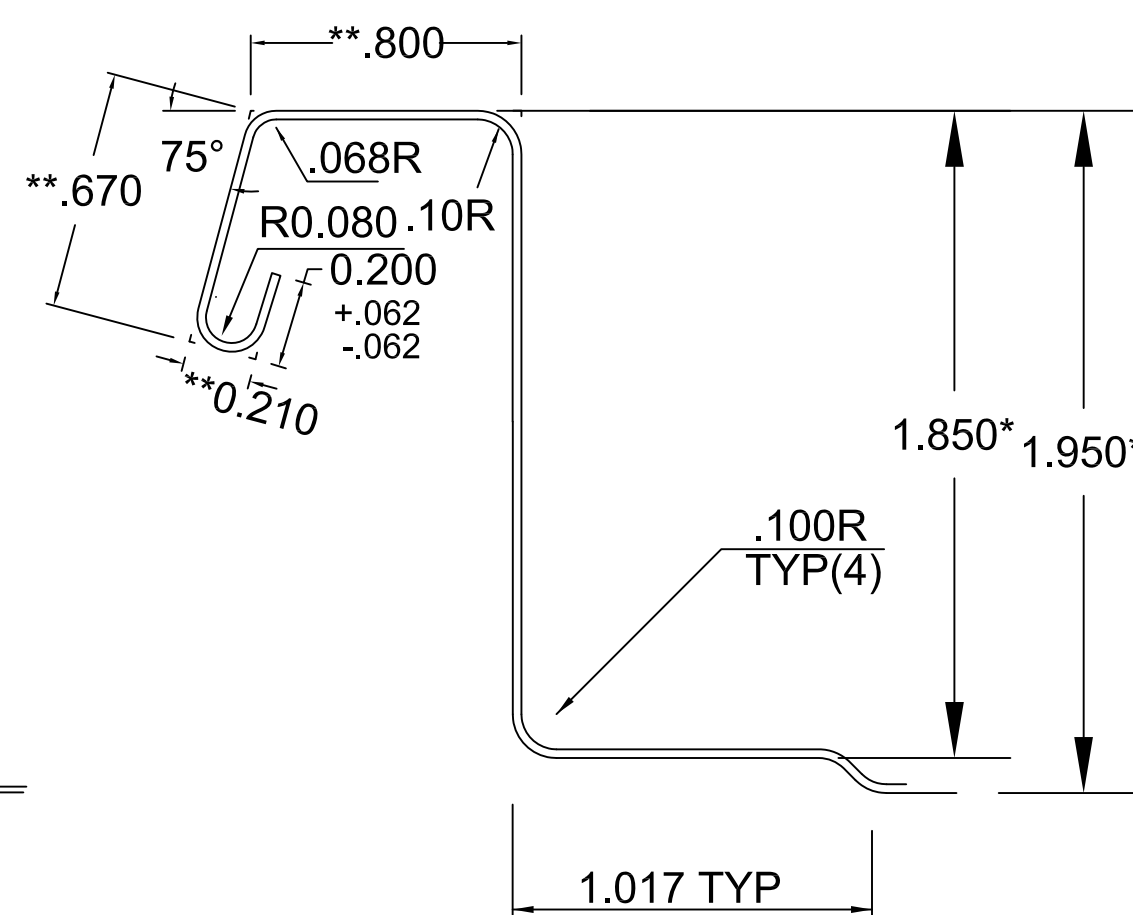
NO	DATE	BY	DESCRIPTION
1			
2			
3			
4			
5			

DESIGN CERTIFICATION

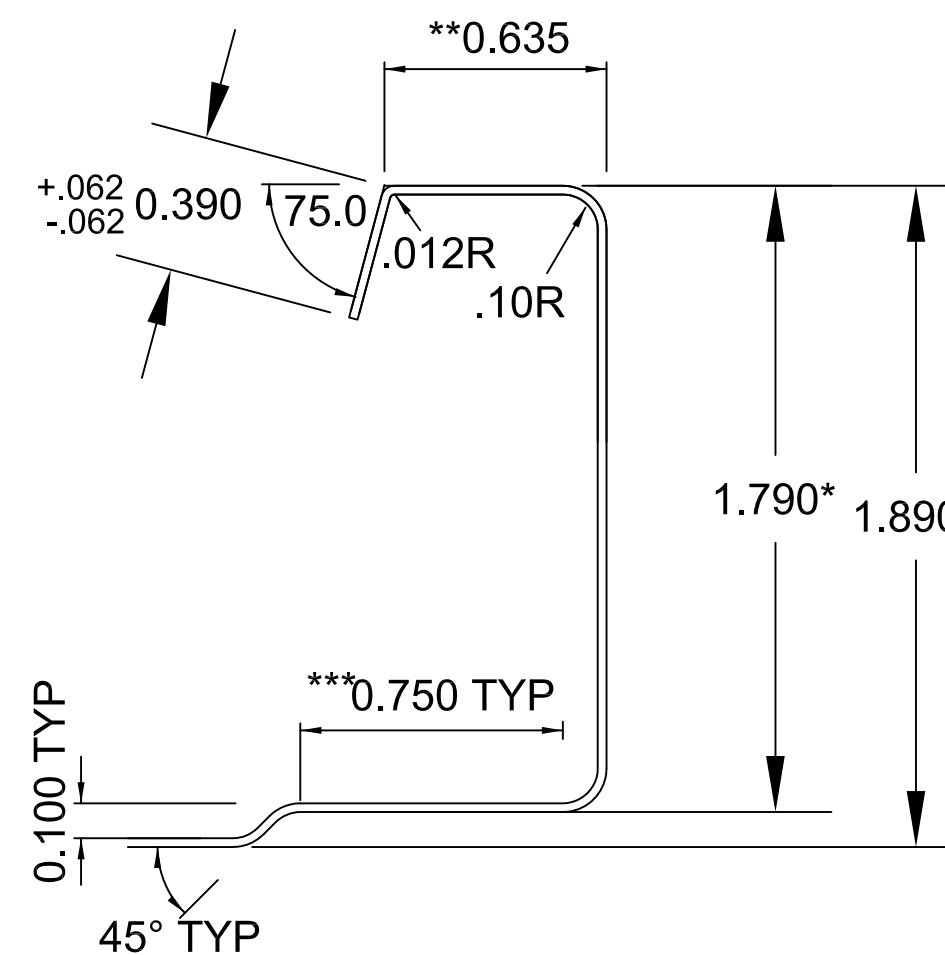
CERTIFICATION OF THE METAL BUILDING COMPONENTS SUPPLIED BY BIGBEE STEEL BUILDINGS, INC. IS LIMITED TO THE LOADS SPECIFIED ON THE BIGBEE STEEL BUILDINGS, INC. PURCHASE ORDER. THE BUILDING MUST BE ERECTED IN ACCORDANCE WITH THE ERECTION DRAWINGS AND EXCLUDES ITEMS NOT SUPPLIED BY BIGBEE STEEL BUILDINGS, INC. THE UNDERSIGNED IS NOT THE ENGINEER OF RECORD FOR THE OVERALL PROJECT.



LAP DETAIL

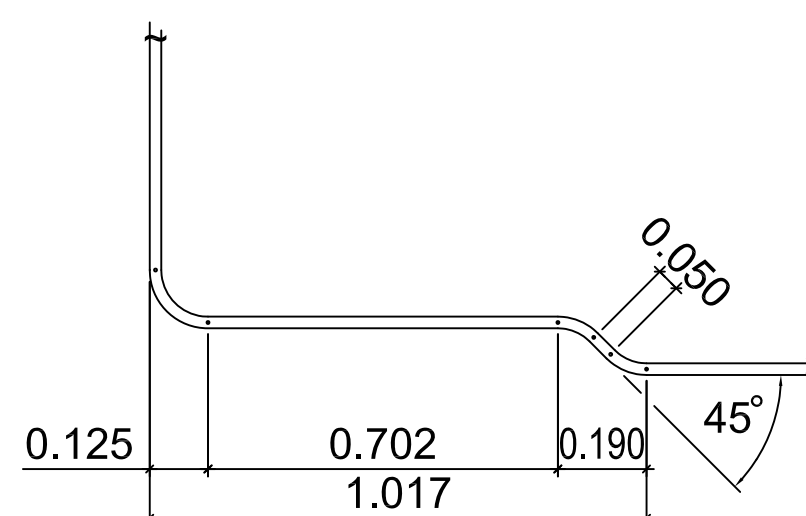


FEMALE

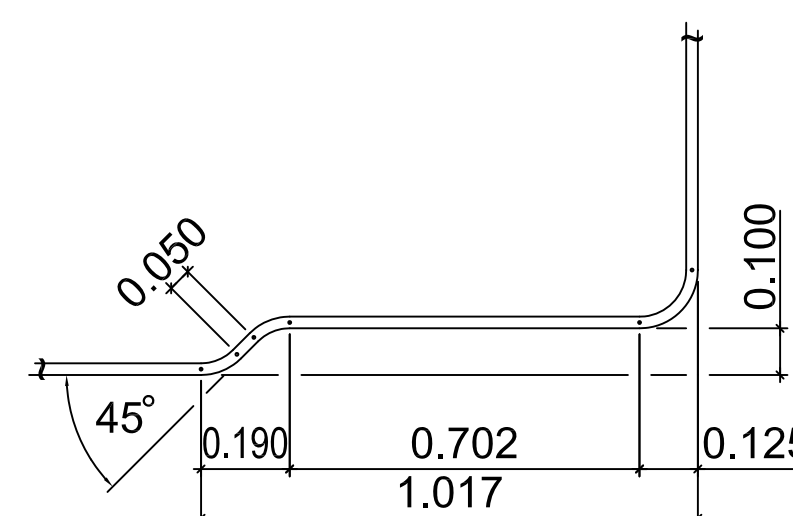


MALE

ALL DIMENSIONS BOTTOM OF SHEET INTERCEPTS U.O.N.
 * TOP TO BOTTOM OF SHEET
 ** TOP OF SHEET INTERCEPTS
 *** ORIGIN TO ORIGIN



SHOULDER RIB
(AT FEMALE SIDE)



SHOULDER RIB
(AT MALE SIDE)

M E M B E R



DRAWING NAME:

BigbeeVR-216 Profile

CUSTOMER:

PROJECT:

FILENAME:

JOB #

DRAWN	CAD	SLM	DRAWING #
CHECKED	SCALE	NTS	BVR216
APPROVED	DATE	06.22.07	