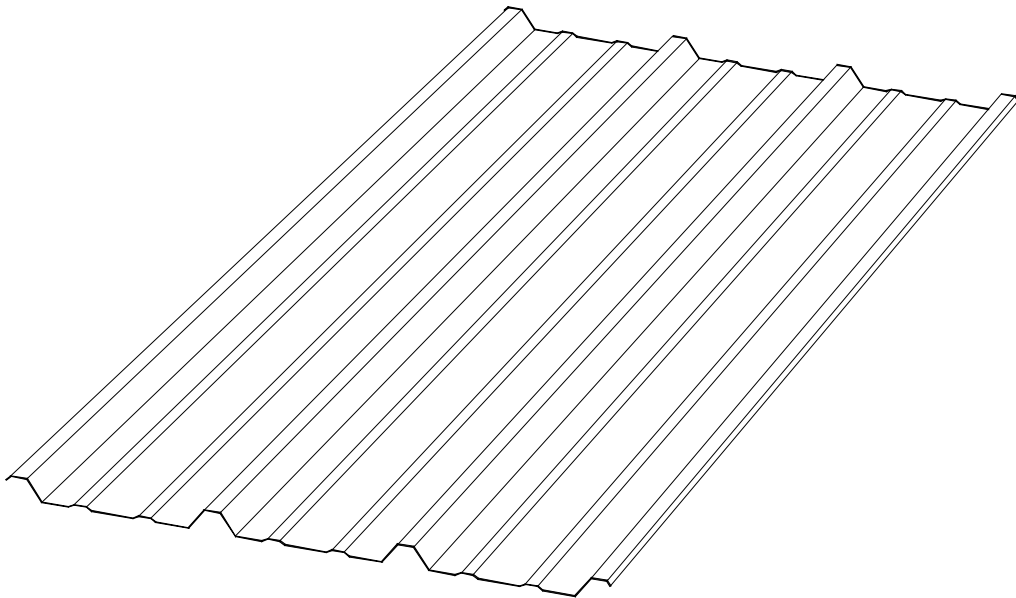




BIGBEE STEEL BUILDINGS, INC.  
2705 Avalon Avenue  
Muscle Shoals, AL 35661

## BigbeeRib II Roof & Wall Panel

### ARCHITECTURAL DETAILS



Phone: 256-383-7322 or 800-633-3378  
Fax: 256-381-9669  
Web: [www.bigbee.com](http://www.bigbee.com)

Revised: July 30, 2007

# INDEX

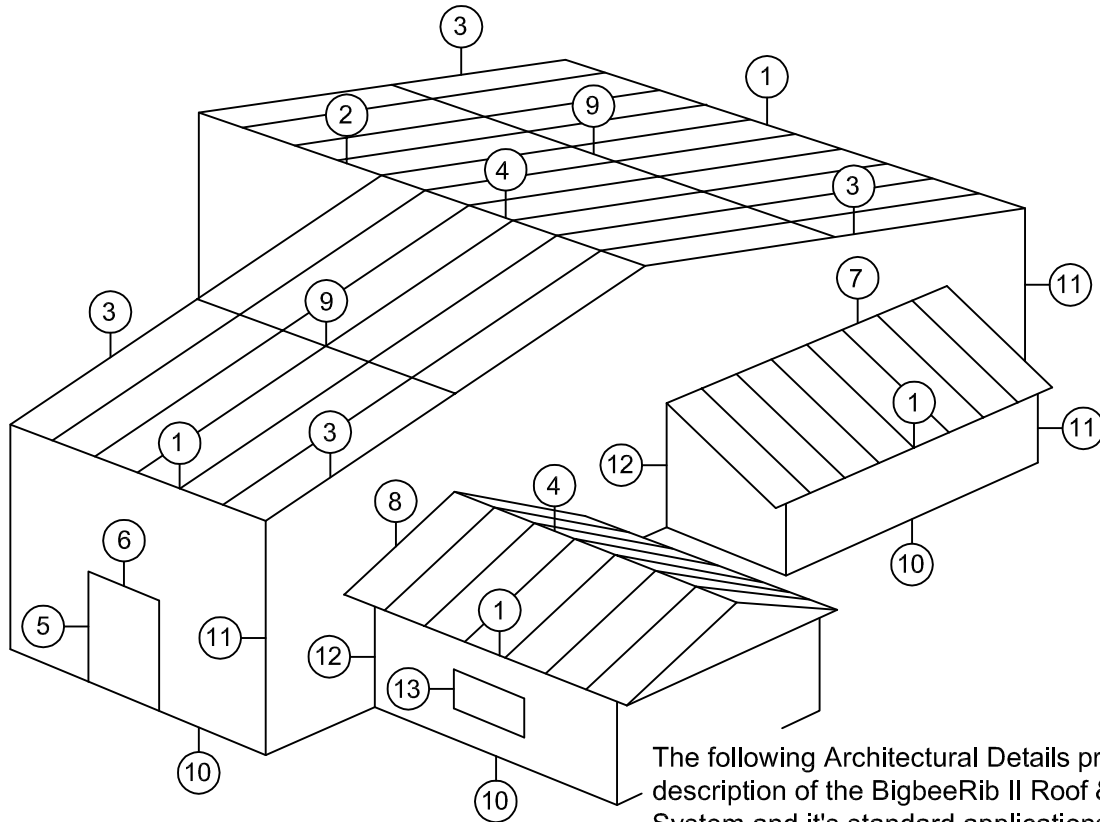
Details Index.....	1
Detail Locator.....	2
Panel Profiles.....	3
Eave Section - Eave Trim.....	4
Eave Section - Gutter.....	5
Roof Panel Endlap Section.....	6
Ridge Section.....	7
High Eave Section - High Eave Trim.....	8
High Eave Section - Transition Flashing.....	9
Rake Trim.....	10
Rake Section - Transition Flashing.....	11
Valley Gutter Sections.....	12
Base Sections.....	13
Outside and Inside Corner Trim.....	14
Jamb Trim.....	15
Header Trim.....	16
Fixed Glass Window Trim.....	17
Roof Sections - Fiberglass Insulation.....	18
Roof Sections - Rigid Foam Insulation.....	19
Liner Panel (Wainscot) Details.....	20



<b>BigbeeRib II Roof &amp; Wall Panel</b>	
<b>Architectural Details</b>	
FILENAME: S:\Detailing Manual\Bigbee Rib II Panels\BigbeeRibII Architectural Details\Architectural Details	

RELEASE DATE: 07.30.2007	
REVISION DATE:	
VERSION:	PAGE:
<b>1.0</b>	<b>1</b>

# Detail Locator



The following Architectural Details provide a graphic description of the BigbeeRib II Roof & Wall Panel System and its standard applications. Use these details to determine the applications required for your specific project.

These standard application details are based on typical and proven designs utilizing gasket type sealed assemblies to provide more positive weather resistance over a broad range of conditions, including low pitched roofs. It is the project designer's responsibility to assure that the specified application is appropriate for the roof's intended use.

These details show generic roof structural members, roof insulation and adjacent construction for simplicity of presentation. These details may be modified to accommodate clarification of structural members, roof insulation, trim profile, tie-in to adjacent construction etc.

The basic function of the details, such as roof panel assembly and fit-up to closures and flashing, sealing and attachments etc. cannot be modified. All applications, not in accordance to these details, require approval by the Bigbee Steel Buildings, Inc. Customer Service Department.

In case of conflict between these Architectural details and the project's erection drawings, the erection drawings will take precedence.

## DETAIL LEGEND

- ①.....EAVE
- ②.....HIGH EAVE
- ③.....RAKE
- ④.....RIDGE
- ⑤.....JAMB
- ⑥.....HEADER
- ⑦.....HIGH EAVE TRANSITION
- ⑧.....RAKE TRANSITION
- ⑨.....ROOF PANEL ENDLAP
- ⑩.....BASE
- ⑪.....OUTSIDE CORNER
- ⑫.....INSIDE CORNER
- ⑬.....FIXED GLASS WINDOW

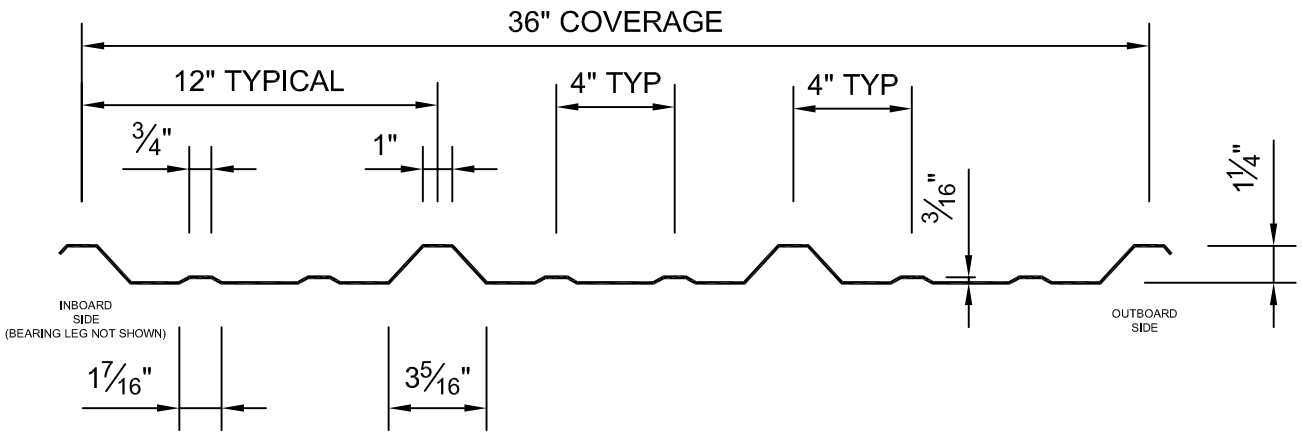


## BigbeeRib II Roof & Wall Panel Architectural Details

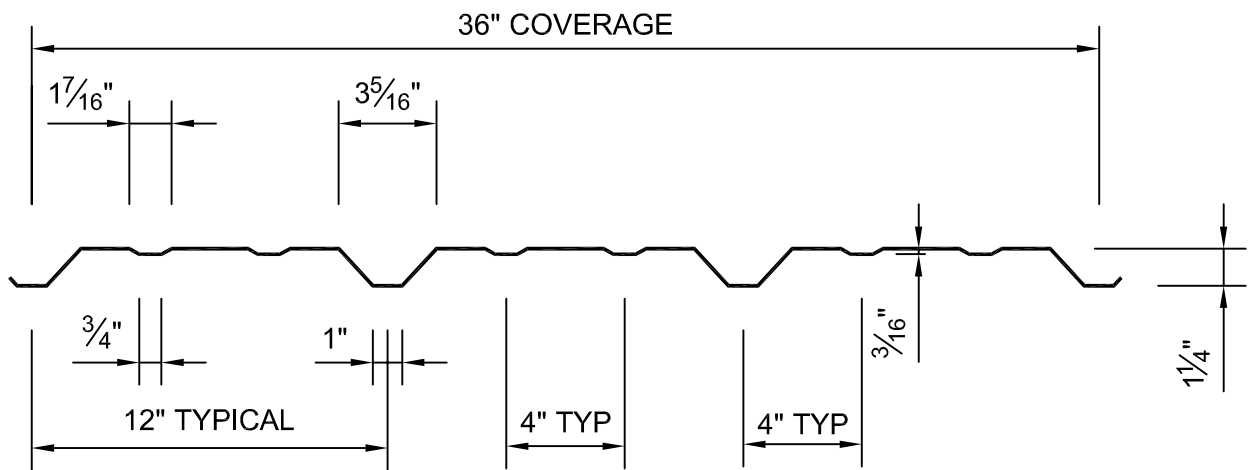
FILENAME: S:\Detailing Manual\Bigbee Rib II Panels\BigbeeRibII Architectural Details\Architectural Details

RELEASE DATE: 07.30.2007	
REVISION DATE:	
VERSION: 1.0	PAGE: 2

# Panel Profiles



**BigbeeRib II Profile**



**"REVERSE RUN" BigbeeRib II Profile**

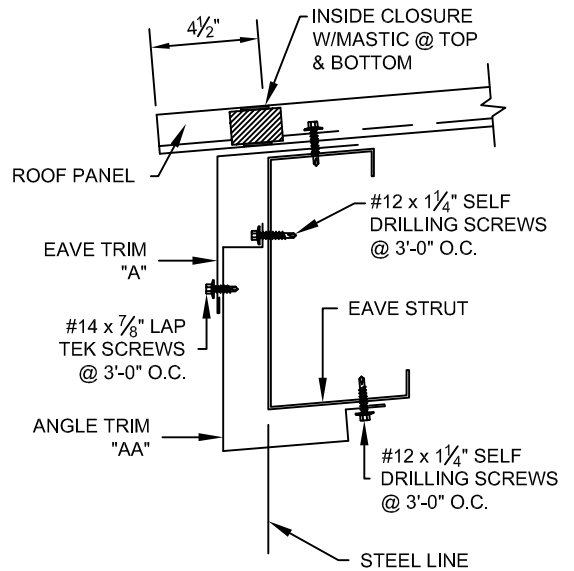
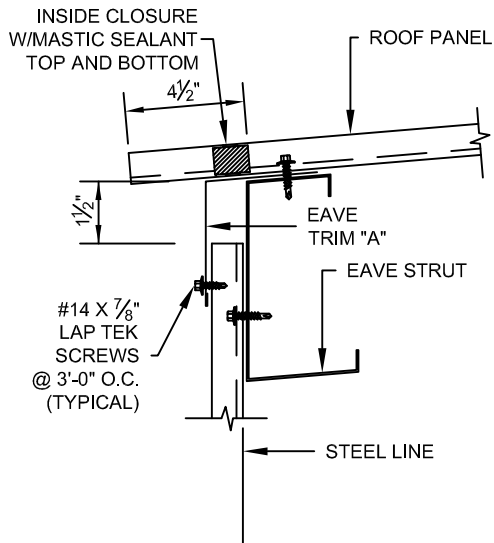


BigbeeRib II Roof & Wall Panel  
Architectural Details

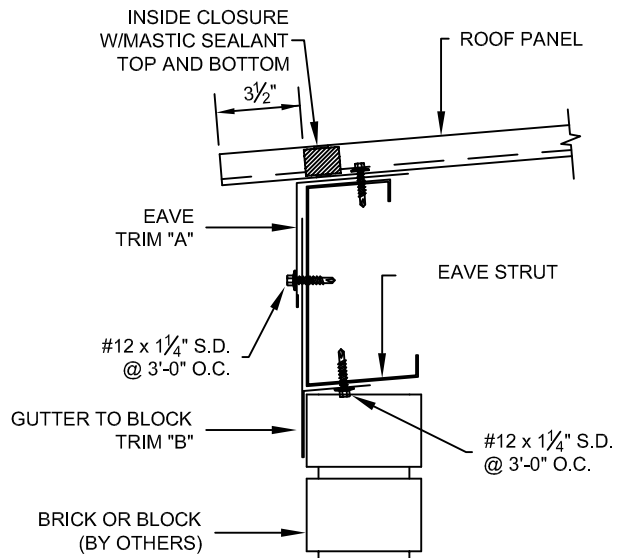
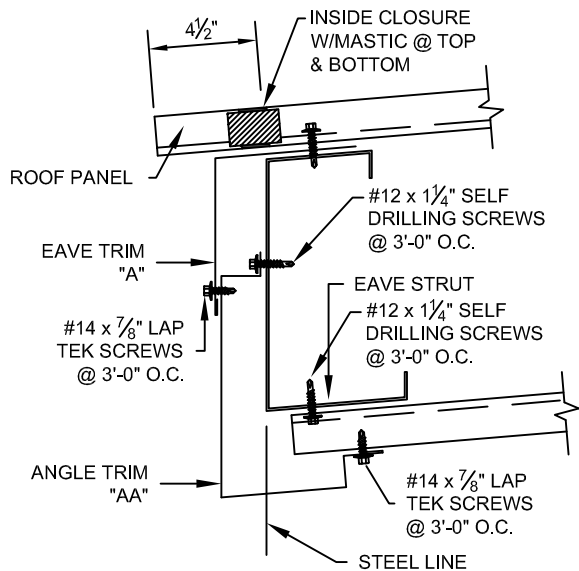
FILENAME: S:\Detailing Manual\Bigbee Rib II Panels\BigbeeRibII Architectural Details\Architectural Details

RELEASE DATE: 07.30.2007	
REVISION DATE:	
VERSION: 1.0	PAGE: 3

# Eave Section - Eave Trim



Note: For Clarity of Detail Insulation Is Not Shown.



## BigbeeRib II Roof & Wall Panel Architectural Details

FILENAME: S:\Detailing Manual\Bigbee Rib II Panels\BigbeeRibII Architectural Details\Architectural Details

RELEASE DATE: 07.30.2007

REVISION DATE:

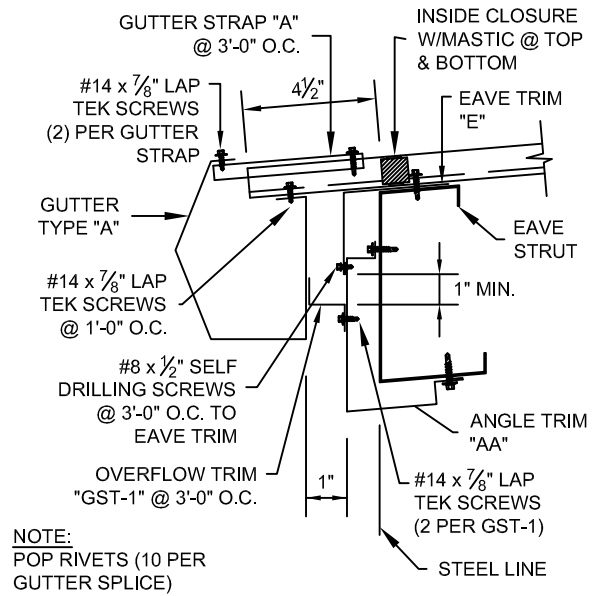
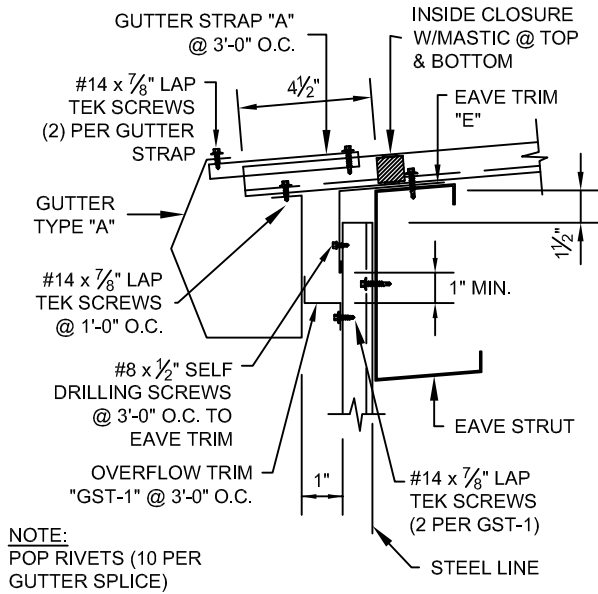
VERSION:

1.0

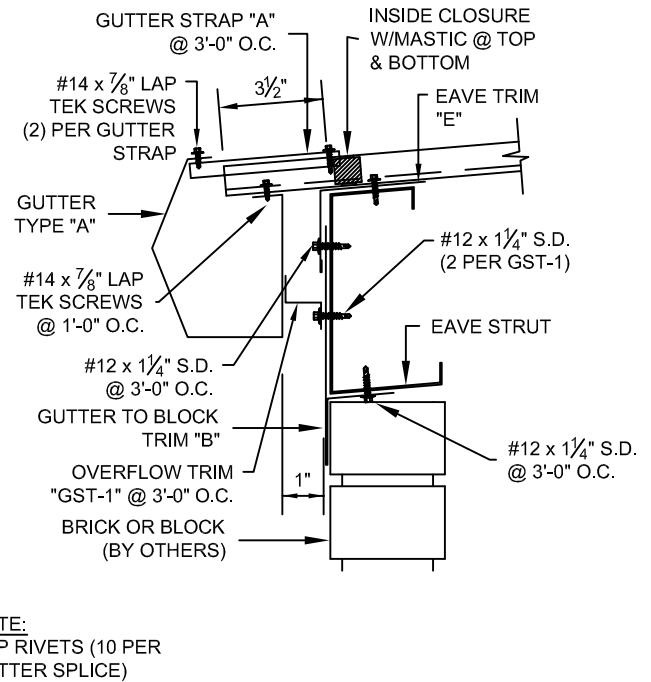
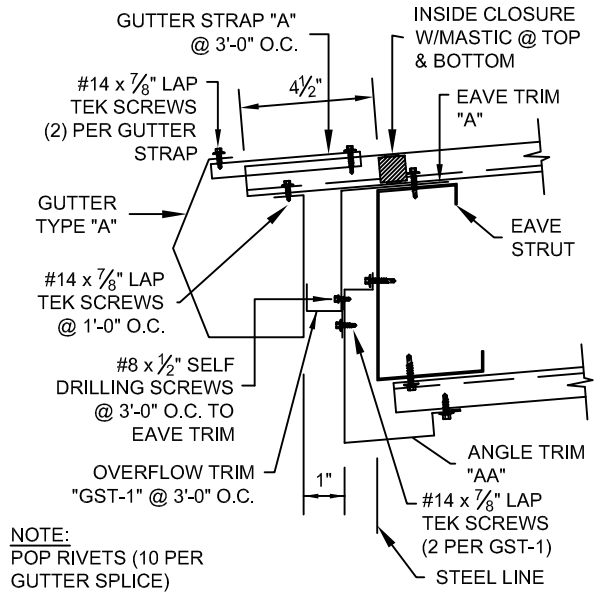
PAGE:

4

# Eave Section - Gutter



Note: For Clarity of Detail  
Insulation Is Not Shown.

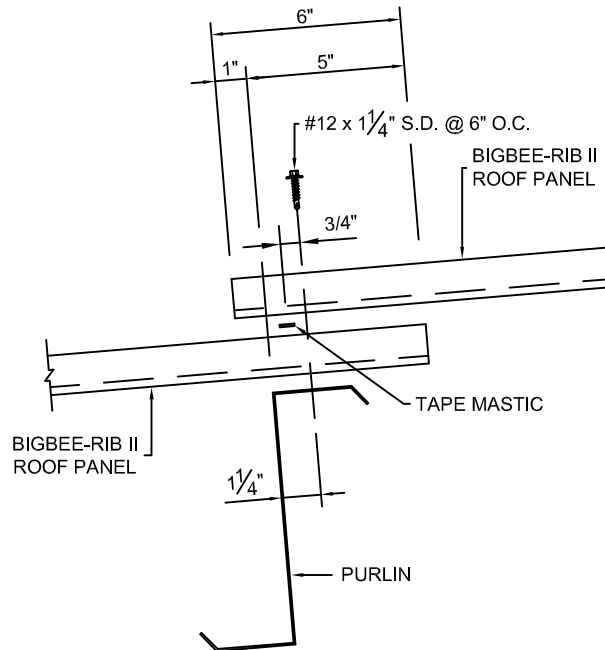


## BigbeeRib II Roof & Wall Panel Architectural Details

FILENAME: S:\Detailing Manual\Bigbee Rib II Panels\BigbeeRibII Architectural Details\Architectural Details

RELEASE DATE: 07.30.2007	
REVISION DATE:	
VERSION: 1.0	PAGE: 5

# Roof Panel Endlap Section



Note: For Clarity of Detail  
Insulation Is Not Shown.



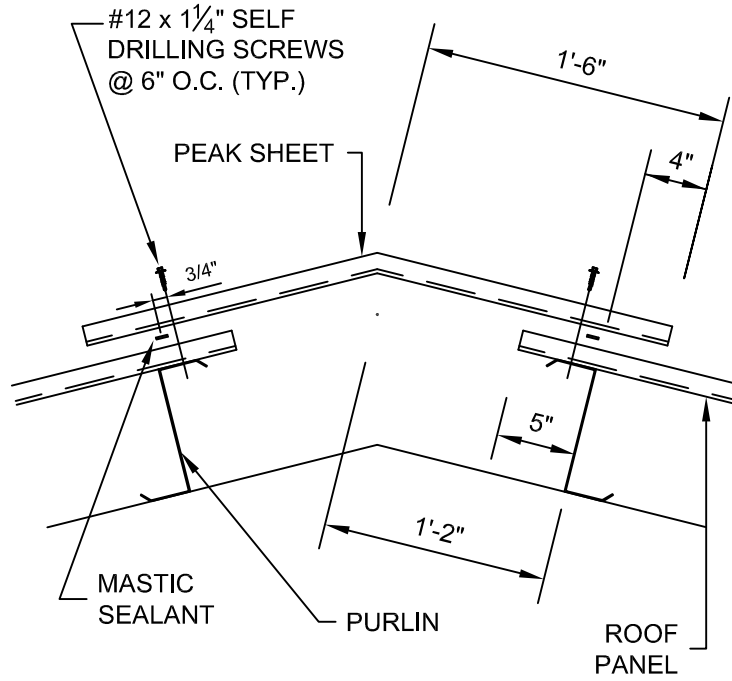
## BigbeeRib II Roof & Wall Panel Architectural Details

FILENAME: S:\Detailing Manual\Bigbee Rib II Panels\BigbeeRibII Architectural Details\Architectural Details

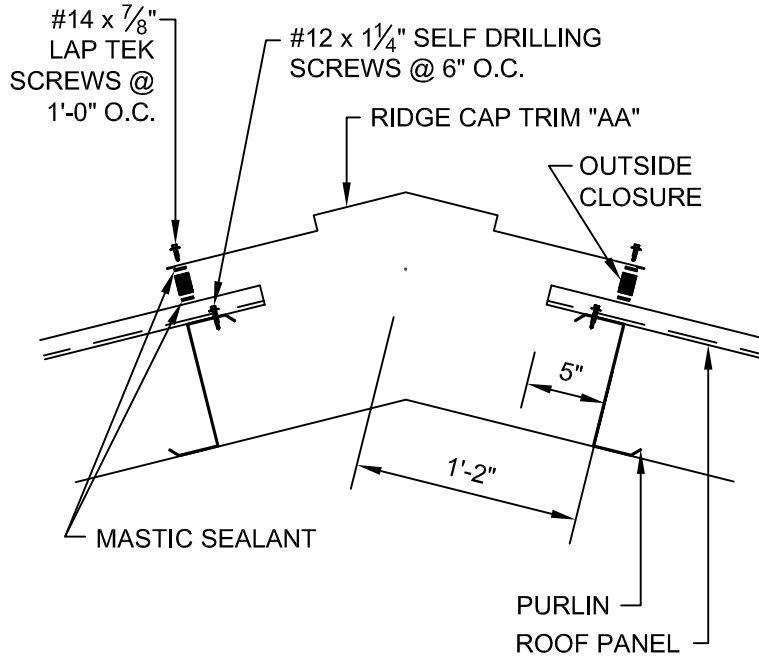
RELEASE DATE:	07.30.2007
REVISION DATE:	
VERSION:	PAGE:
1.0	6

# Ridge Section

Note: For Clarity of Detail  
Insulation Is Not Shown.



Note: Maximum 4/12 Roof Bevel



Note: For Clarity of Detail  
Insulation Is Not Shown.

Note: Typically Used on Roof Bevels Greater Than 4/12



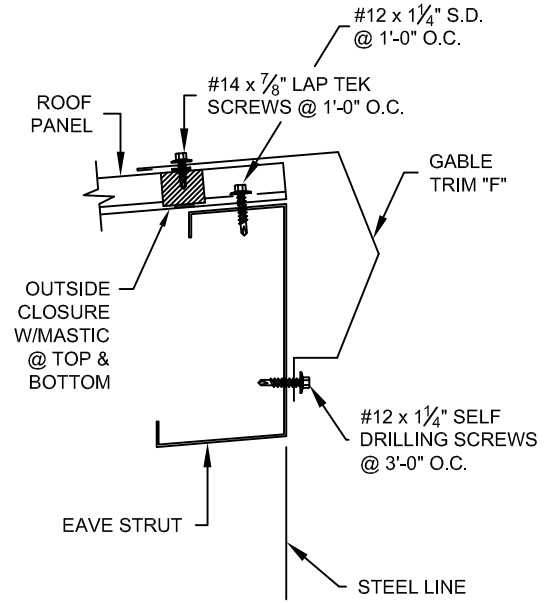
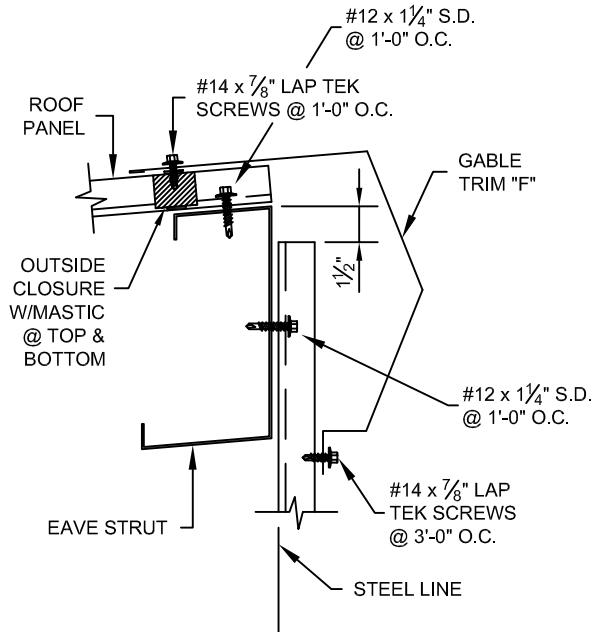
## BigbeeRib II Roof & Wall Panel Architectural Details

FILENAME: S:\Detailing Manual\Bigbee Rib II Panels\BigbeeRibII Architectural Details\Architectural Details

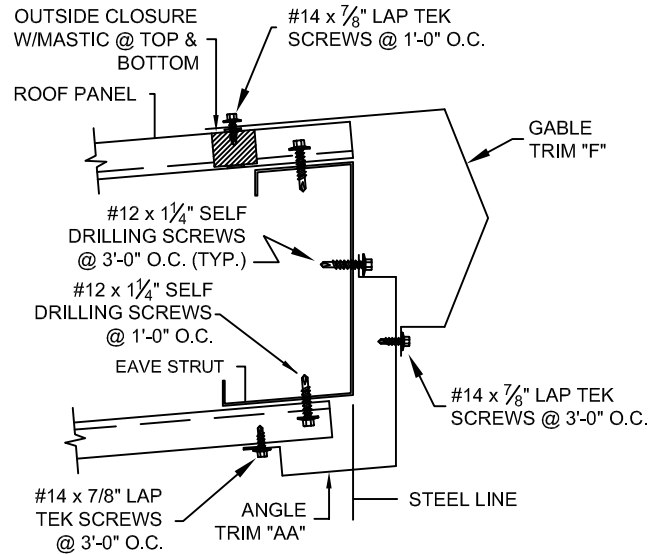
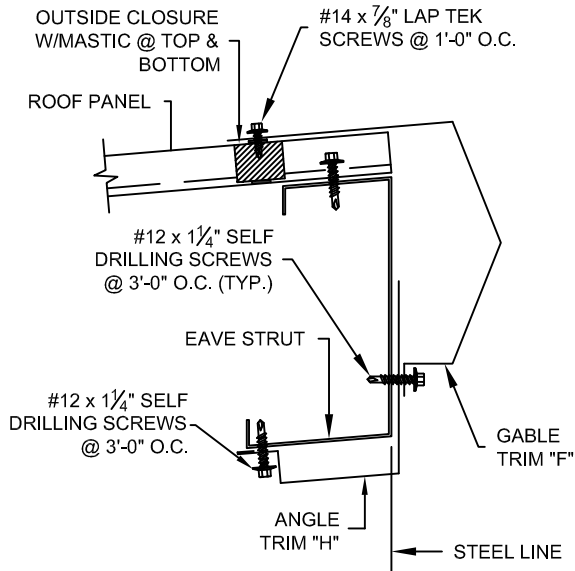
RELEASE DATE:	07.30.2007
REVISION DATE:	
VERSION:	PAGE:
1.0	7



# High Eave Section - Eave Trim



Note: For Clarity of Detail Insulation Is Not Shown.



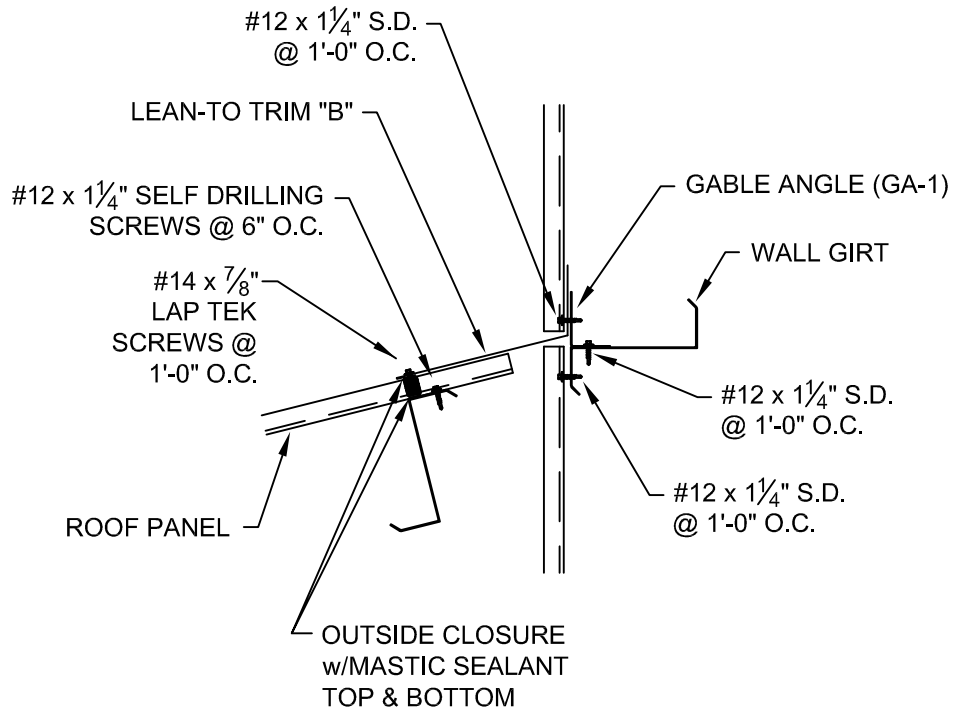
## BigbeeRib II Roof & Wall Panel Architectural Details

FILENAME: S:\Detailing Manual\Bigbee Rib II Panels\BigbeeRibII Architectural Details\Architectural Details

RELEASE DATE: 07.30.2007	
REVISION DATE:	
VERSION: 1.0	PAGE: 8

# High Eave Section - Transition Flashing

Note: For Clarity of Detail  
Insulation Is Not Shown.

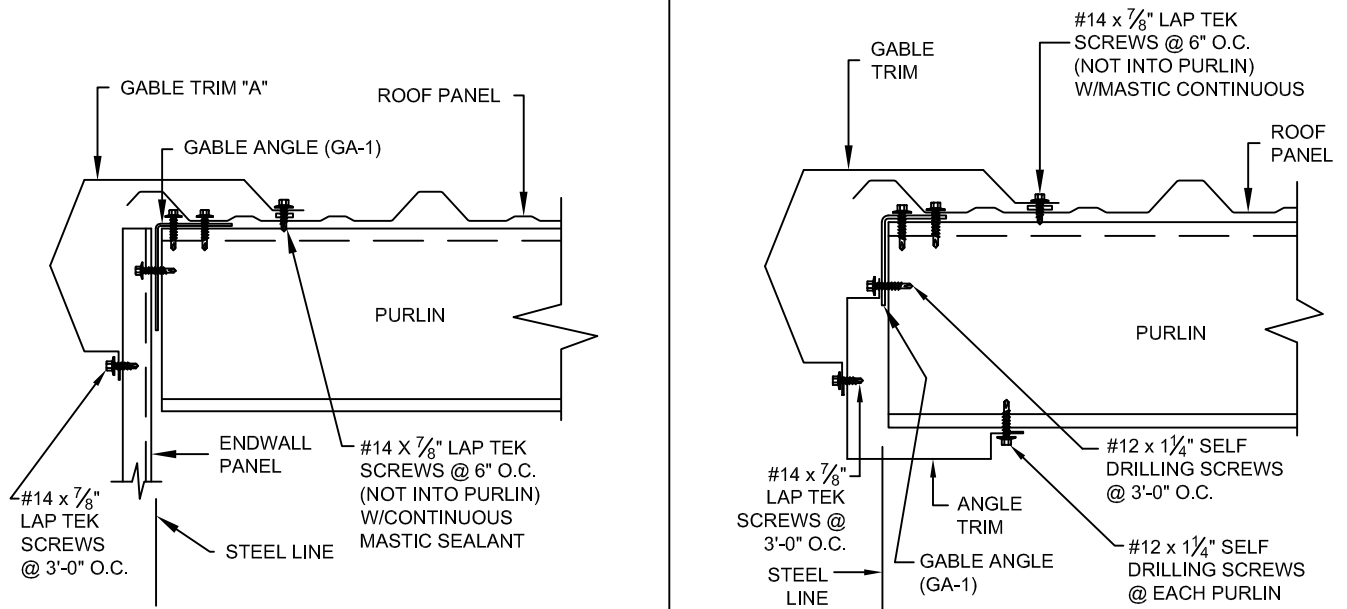


## BigbeeRib II Roof & Wall Panel Architectural Details

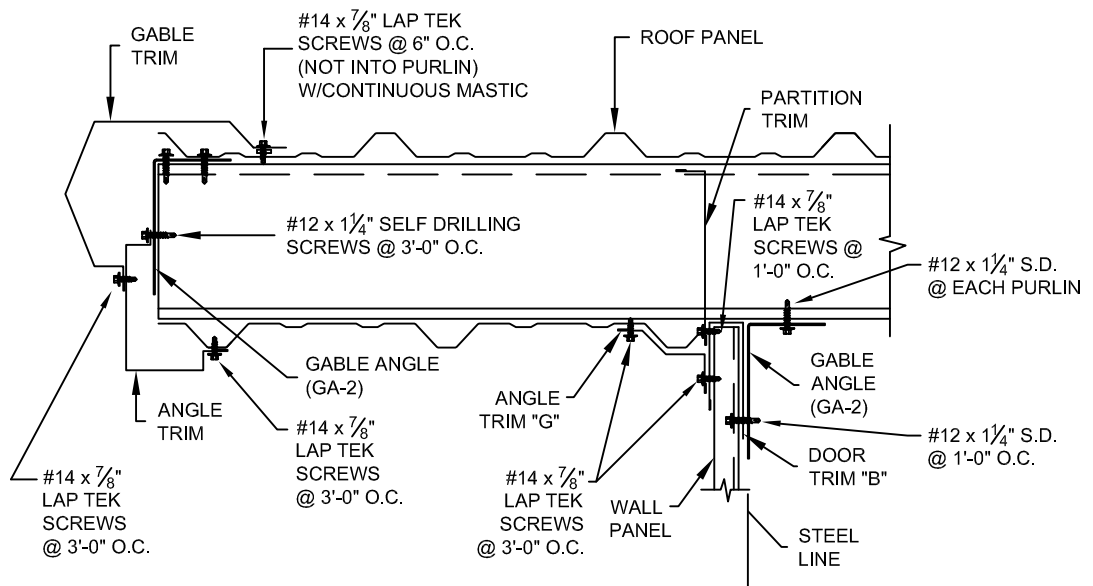
FILENAME: S:\Detailing Manual\Bigbee Rib II Panels\BigbeeRibII Architectural Details\Architectural Details

RELEASE DATE: 07.30.2007	
REVISION DATE:	
VERSION: 1.0	PAGE: 9

# Rake Trim



Note: For Clarity of Detail  
Insulation Is Not Shown.

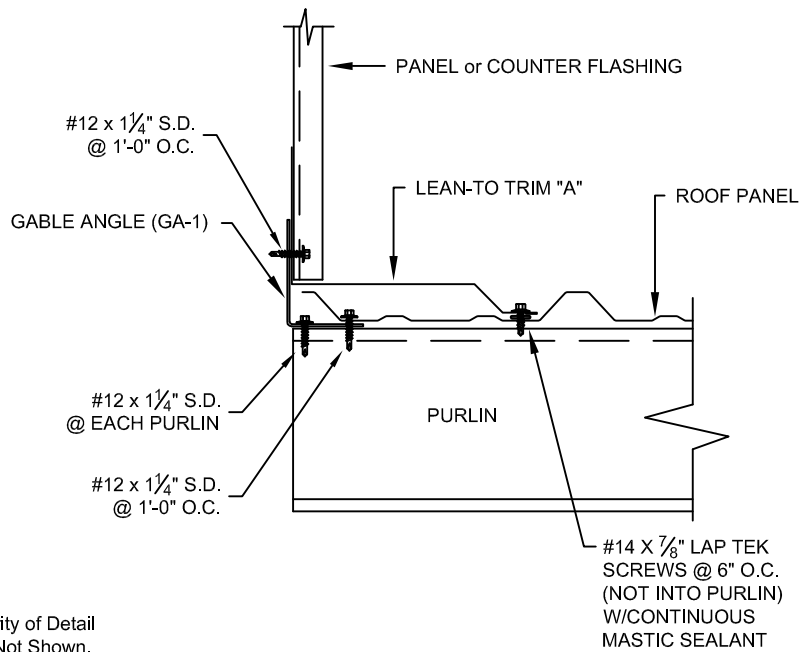


## BigbeeRib II Roof & Wall Panel Architectural Details

FILENAME: S:\Detailing Manual\Bigbee Rib II Panels\BigbeeRibII Architectural Details\Architectural Details

RELEASE DATE: 07.30.2007	
REVISION DATE:	
VERSION: 1.0	PAGE: 10

# Rake Trim - Transition Flashing



Note: For Clarity of Detail  
Insulation Is Not Shown.

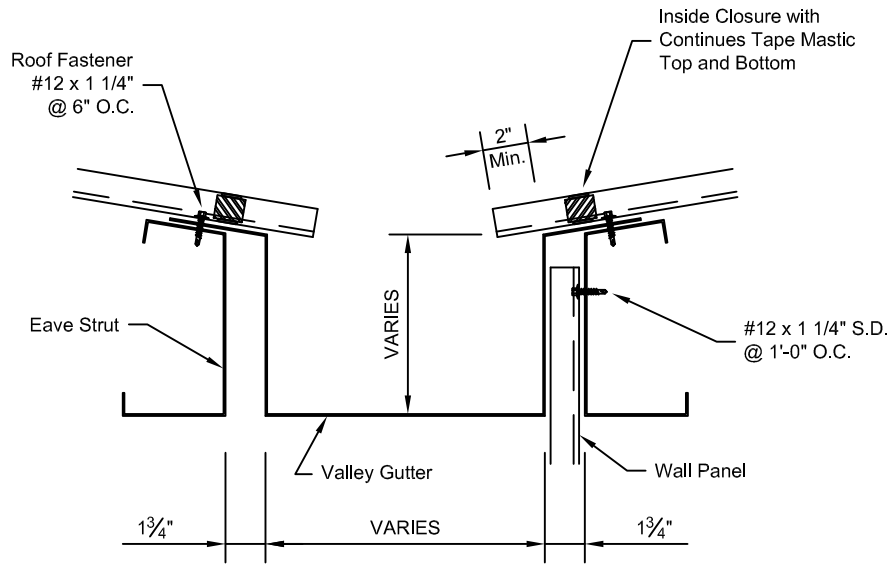


## BigbeeRib II Roof & Wall Panel Architectural Details

FILENAME: S:\Detailing Manual\Bigbee Rib II Panels\BigbeeRibII Architectural Details\Architectural Details

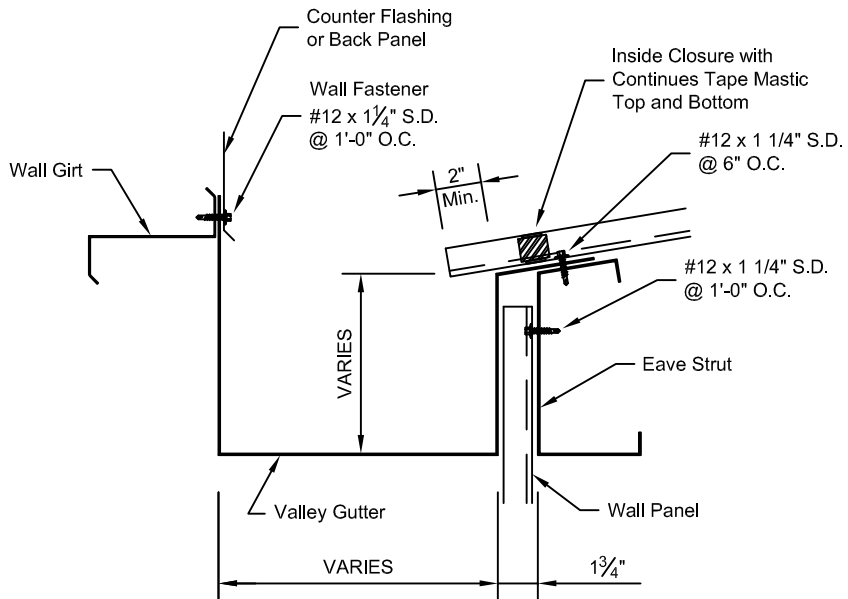
RELEASE DATE: 07.30.2007	
REVISION DATE:	
VERSION: 1.0	PAGE: 11

# Valley Gutter Sections



Note: For Clarity of Detail  
Insulation Is Not Shown.

**CAUTION**  
Interior Gutter Must Be  
Provide With Protection From  
Corrosion, Icing, Damming &  
Interior Condensation



Note: For Clarity of Detail  
Insulation Is Not Shown.

**CAUTION**  
Interior Gutter Must Be  
Provide With Protection From  
Corrosion, Icing, Damming &  
Interior Condensation

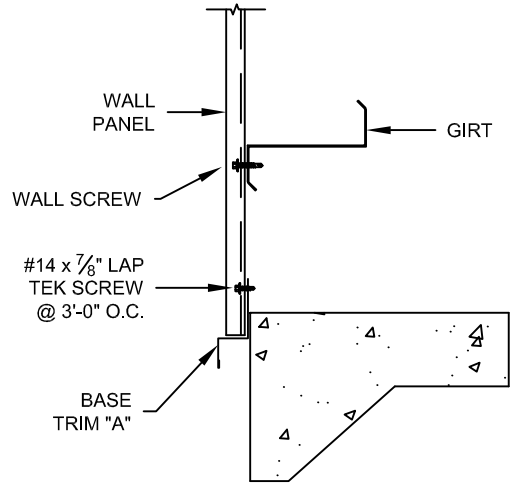
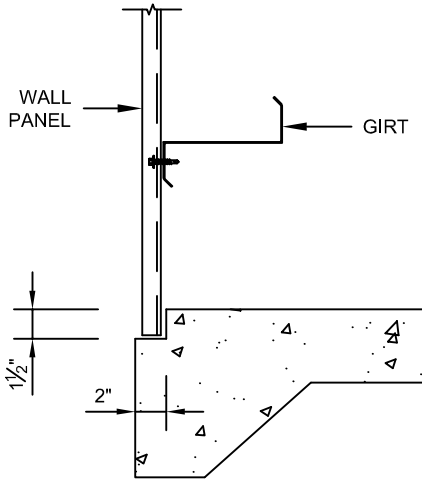


## BigbeeRib II Roof & Wall Panel Architectural Details

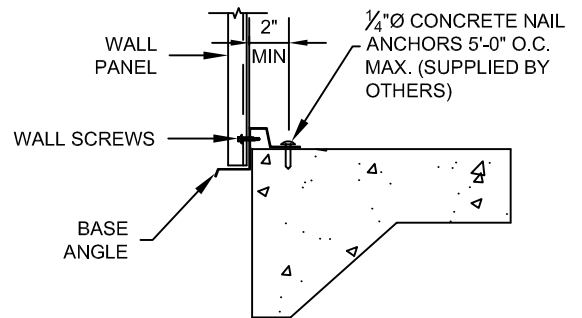
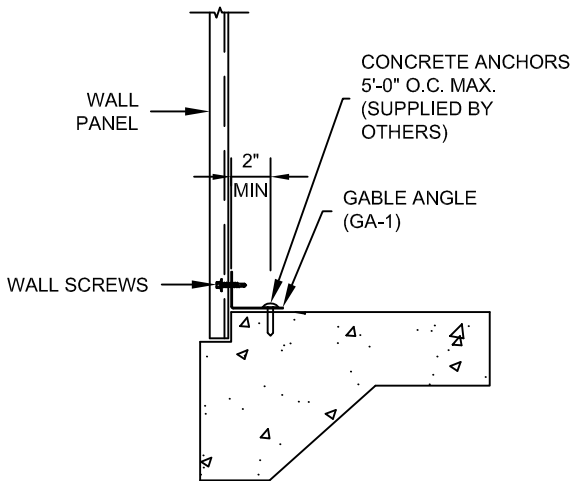
FILENAME: S:\Detailing Manual\Bigbee Rib II Panels\BigbeeRibII Architectural Details\Architectural Details

RELEASE DATE: 07.30.2007	
REVISION DATE:	
VERSION: 1.0	PAGE: 12

# Base Sections



Note: For Clarity of Detail  
Insulation Is Not Shown.



## BigbeeRib II Roof & Wall Panel Architectural Details

FILENAME: S:\Detailing Manual\Bigbee Rib II Panels\BigbeeRibII Architectural Details\Architectural Details

RELEASE DATE: 07.30.2007

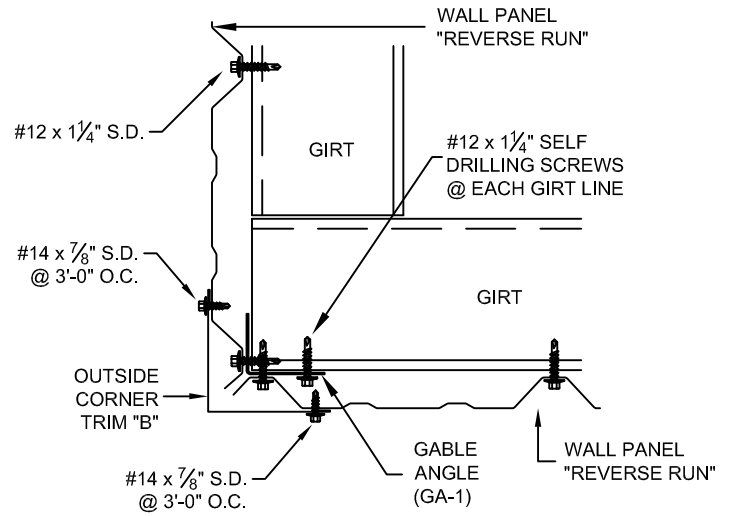
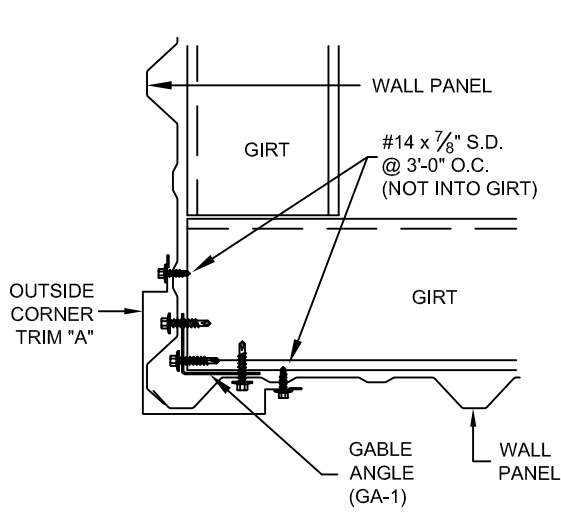
REVISION DATE:

VERSION: PAGE:

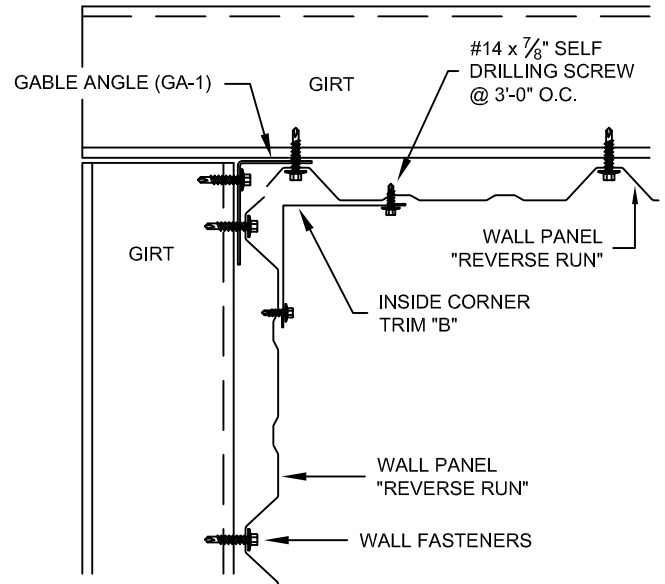
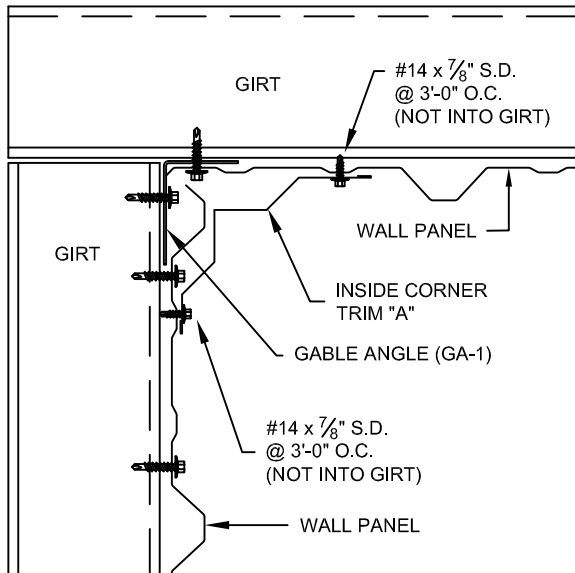
1.0

13

# Outside and Inside Corner Trim



Note: For Clarity of Detail Insulation Is Not Shown.

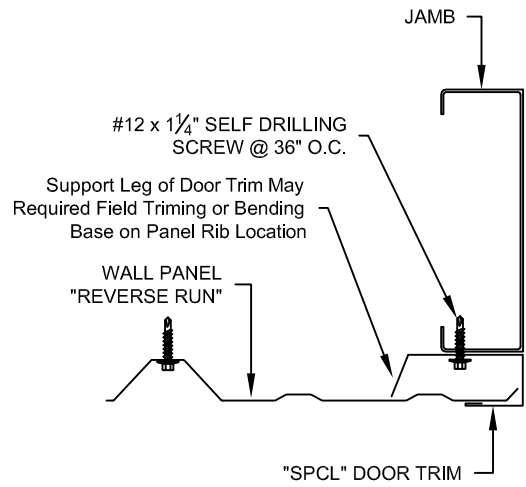
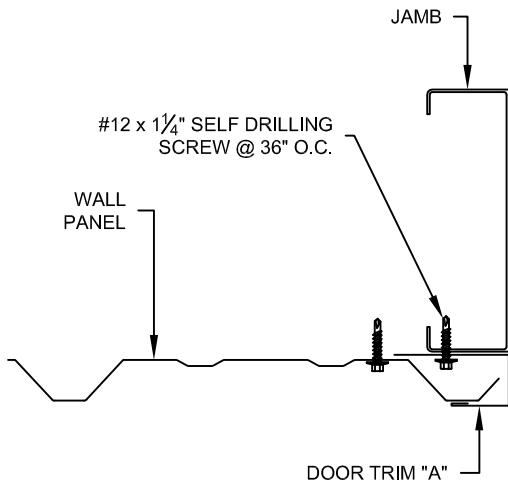


## BigbeeRib II Roof & Wall Panel Architectural Details

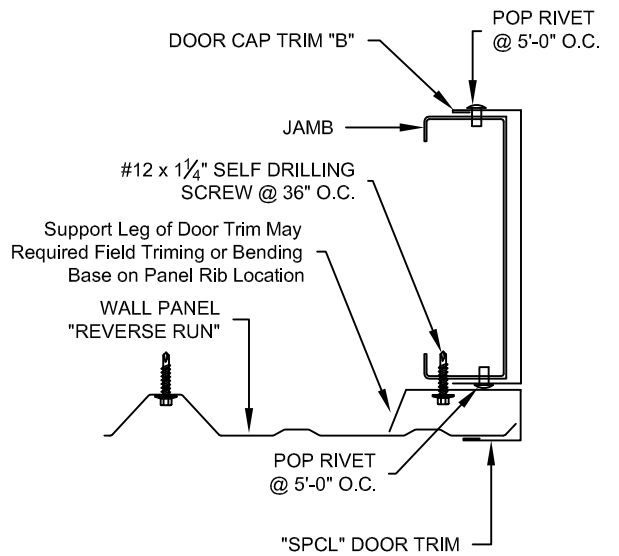
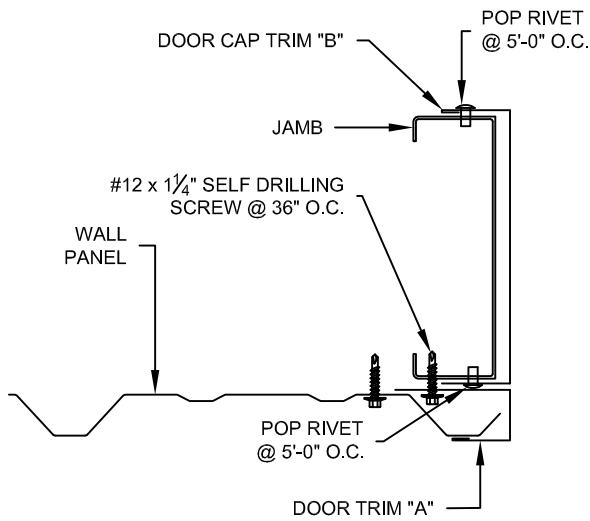
FILENAME: S:\Detailing Manual\Bigbee Rib II Panels\BigbeeRibII Architectural Details\Architectural Details

RELEASE DATE: 07.30.2007	
REVISION DATE:	
VERSION: 1.0	PAGE: 14

# Jamb Trim



Note: For Clarity of Detail Insulation Is Not Shown.



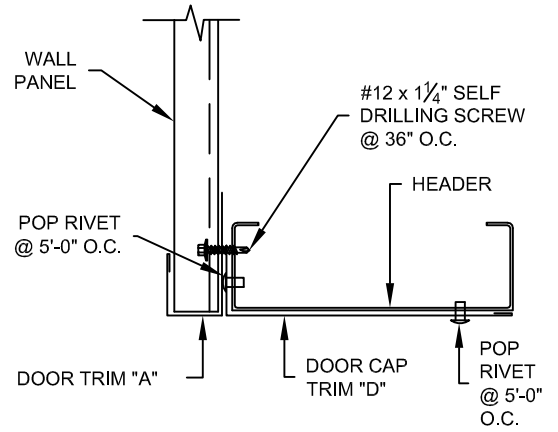
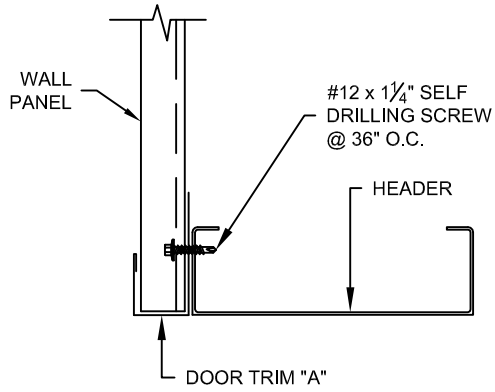
## BigbeeRib II Roof & Wall Panel Architectural Details

FILENAME: S:\Detailing Manual\Bigbee Rib II Panels\BigbeeRibII Architectural Details\Architectural Details

RELEASE DATE: 07.30.2007	
REVISION DATE:	
VERSION: 1.0	PAGE: 15



# Header Trim



Note: For Clarity of Detail  
Insulation Is Not Shown.

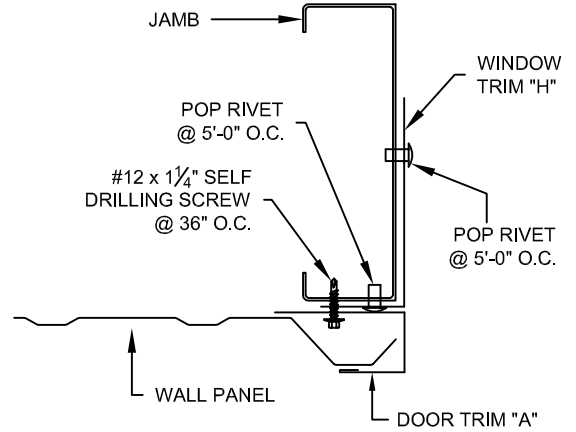
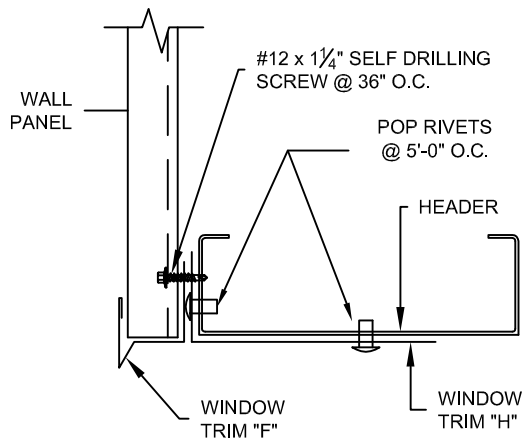


## BigbeeRib II Roof & Wall Panel Architectural Details

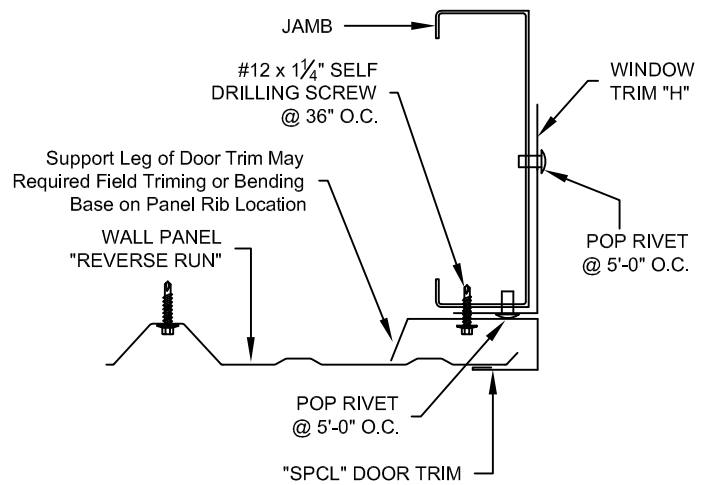
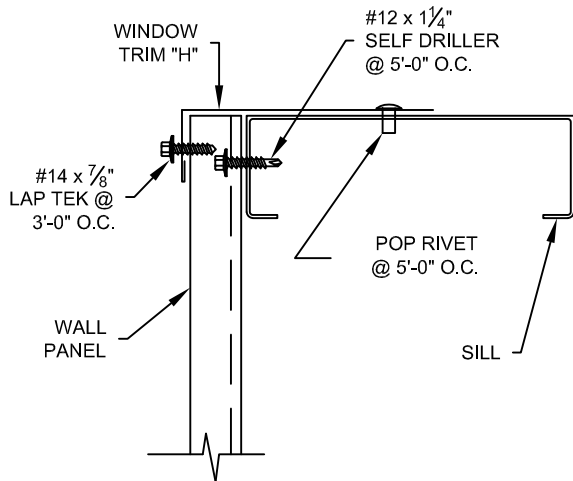
FILENAME: S:\Detailing Manual\Bigbee Rib II Panels\BigbeeRibII Architectural Details\Architectural Details

RELEASE DATE:	07.30.2007
REVISION DATE:	
VERSION:	PAGE:
1.0	16

# Fixed Glass Window Trim



Note: For Clarity of Detail  
Insulation Is Not Shown.

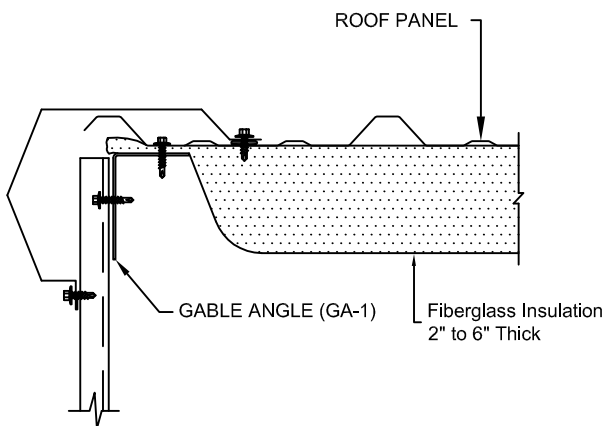
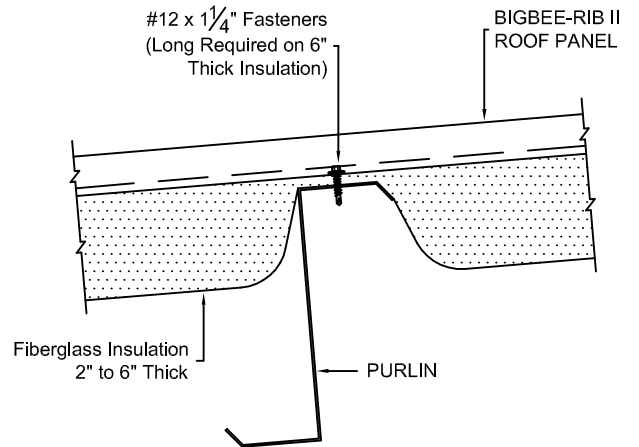
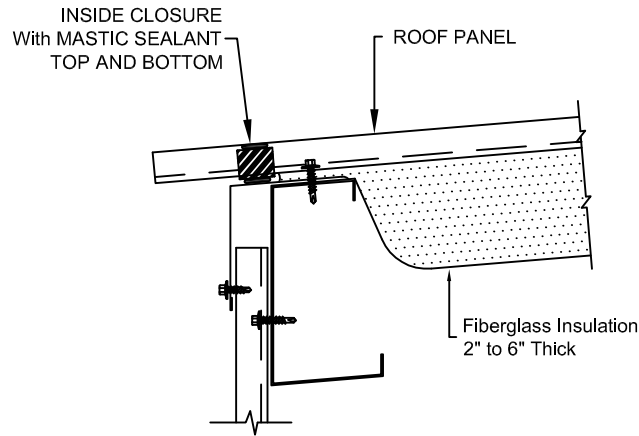


## BigbeeRib II Roof & Wall Panel Architectural Details

FILENAME: S:\Detailing Manual\Bigbee Rib II Panels\BigbeeRibII Architectural Details\Architectural Details

RELEASE DATE:	07.30.2007
REVISION DATE:	
VERSION:	PAGE:
1.0	17

# Roof Sections - Fiberglass Insulation



**NOTE**  
Wall Insulation Details  
Are Similar

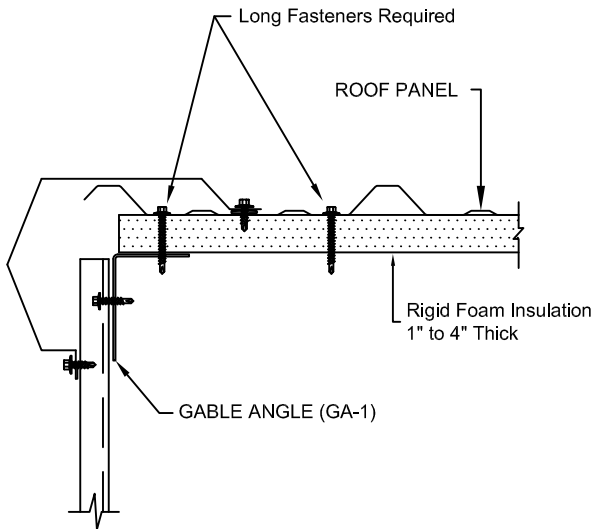
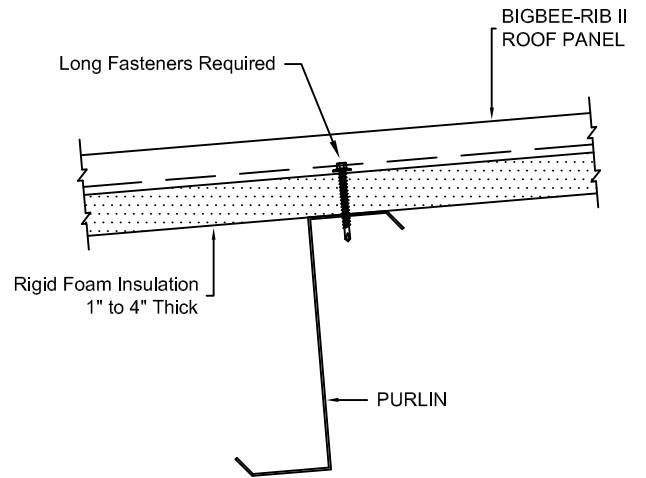
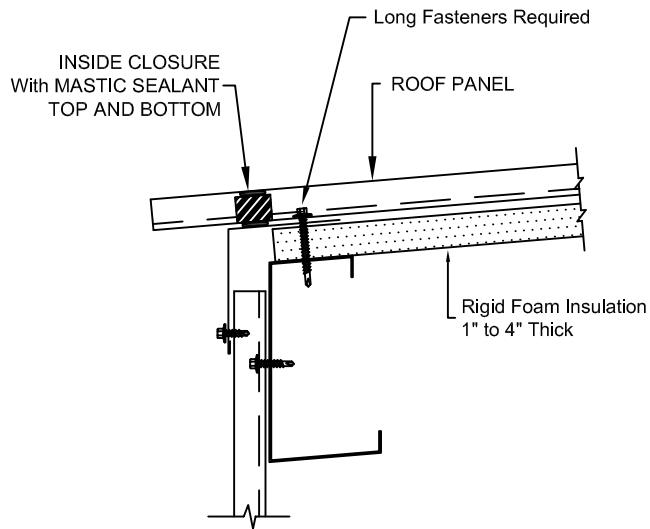


## BigbeeRib II Roof & Wall Panel Architectural Details

FILENAME: S:\Detailing Manual\Bigbee Rib II Panels\BigbeeRibII Architectural Details\Architectural Details

RELEASE DATE:	07.30.2007
REVISION DATE:	
VERSION:	PAGE:
1.0	18

# Roof Sections - Rigid Foam Insulation



**NOTE**  
Wall Insulation Details  
Are Similar

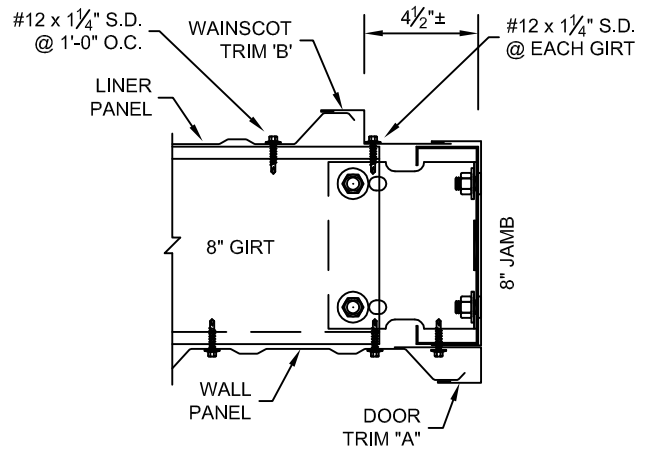
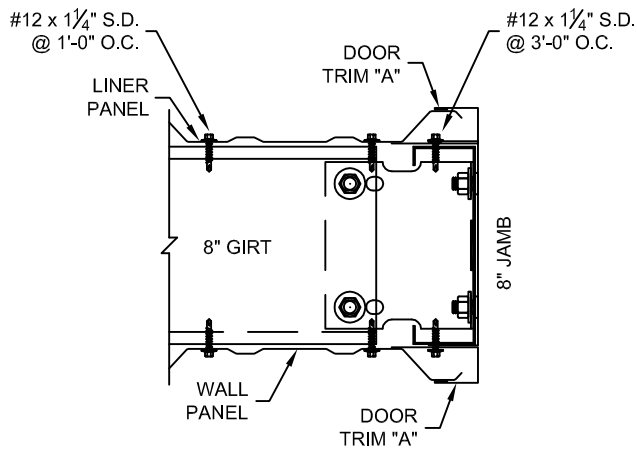
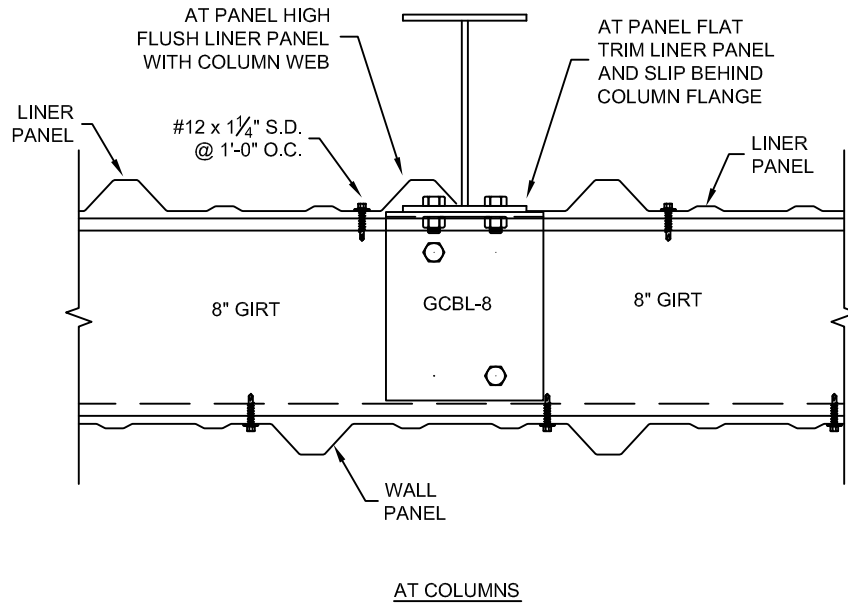


## BigbeeRib II Roof & Wall Panel Architectural Details

FILENAME: S:\Detailing Manual\Bigbee Rib II Panels\BigbeeRibII Architectural Details\Architectural Details

RELEASE DATE:	07.30.2007
REVISION DATE:	
VERSION:	PAGE:
1.0	19

# Liner Panel (Wainscot) Details

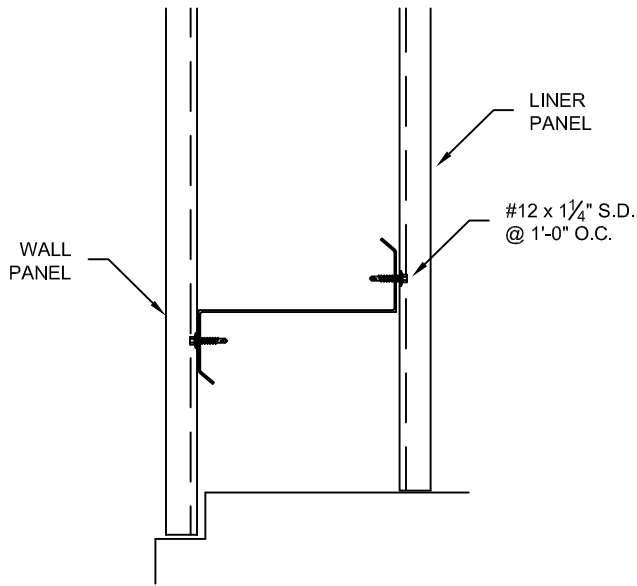


## BigbeeRib II Roof & Wall Panel Architectural Details

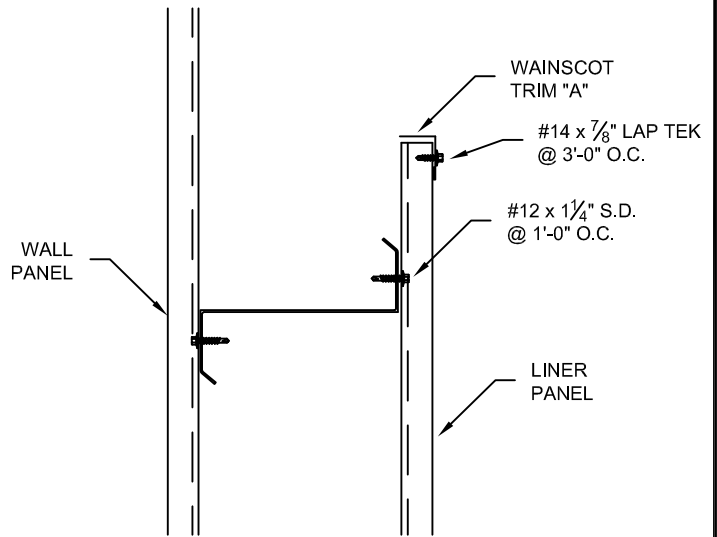
FILENAME: S:\Detailing Manual\Bigbee Rib II Panels\BigbeeRibII Architectural Details\Architectural Details

RELEASE DATE: 07.30.2007	
REVISION DATE:	
VERSION: 1.0	PAGE: 20

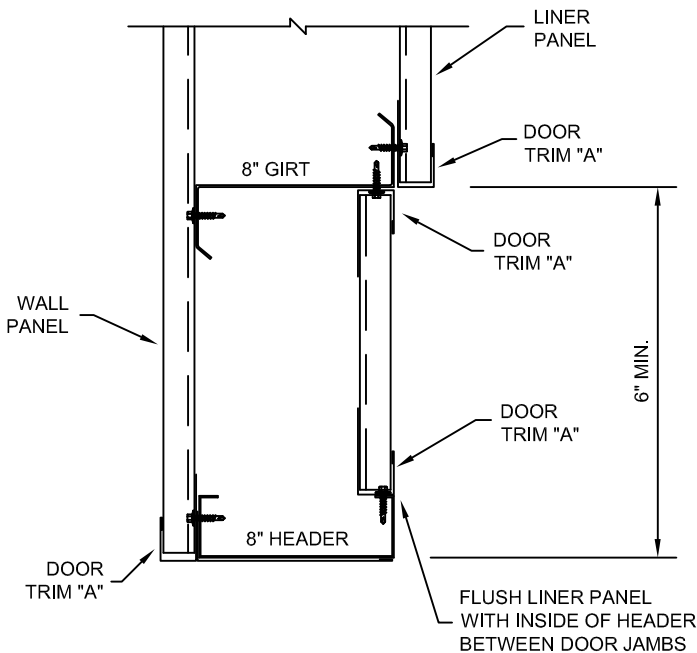
# Liner Panel (Wainscot) Details



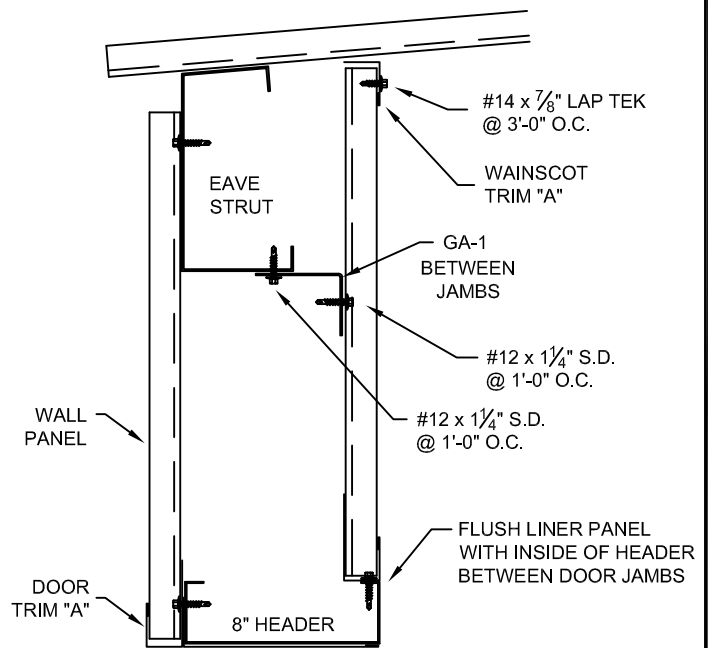
AT BASE



AT TOP



GIRT ABOVE HEADER



EAVE STRUT ABOVE HEADER



## BigbeeRib II Roof & Wall Panel Architectural Details

FILENAME: S:\Detailing Manual\Bigbee Rib II Panels\BigbeeRibII Architectural Details\Architectural Details

RELEASE DATE: 07.30.2007

REVISION DATE:

VERSION: PAGE:

1.0

21