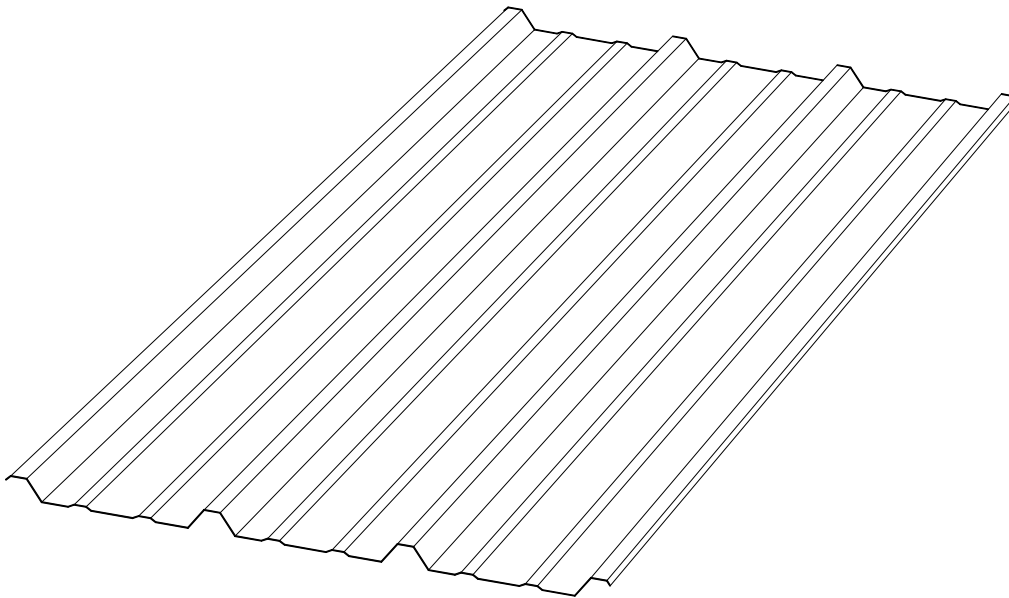




BIGBEE STEEL BUILDINGS, INC.
2705 Avalon Avenue
Muscle Shoals, AL 35661

BigbeeRib II Wall Panel

WALL INSTALLATION GUIDE



Phone: 256-383-7322 or 800-633-3378
Fax: 256-381-9669
Web: www.bigbee.com

Revised: October 15, 2007

Revision History:

October 15, 2007 – Version 1.0
Initial Release

INDEX

1.0 GENERAL	
1.1 Purpose of the Installation Guide	1-1
1.2 Customer's Responsibility	1-1
2.0 SAFE WALL INSTALLATION	
2.1 Erector's Responsibility	2-1
2.2 OSHA	2-1
2.3 Handling Roof Materials in Strong Winds	2-1
2.4 Completed and Braced	2-1
2.5 Lateral Stability	2-1
3.0 RECEIVING & HANDLING WALL MATERIALS	
3.1 Material Inventory	3-1
3.2 Equipment for Unloading and Lifting	3-1
3.3 Lifting Panel Bundles	3-1
3.4 Field Storage of Wall Materials	3-2
3.5 Handling Individual Wall Panels	3-3
4.0 WALL INSTALLATION BASICS	
4.1 Proper Tools	4-1
4.2 Equipment List	4-1
4.3 Sealants	4-1
4.4 Fasteners	4-2
4.5 Field Cutting Panels and Flashing	4-3
5.0 WALL PANEL LAYOUT	
5.1 Sheeting Direction and Modularity	5-1
5.2 Layout & Checking for Coverage	5-1
5.3 Appearance Considerations	5-1
6.0 INSPECTION OF WALL ASSEMBLY DURING INSTALLATION	
6.1 Importance of Inspection	6-1
6.2 Inspection List	6-1
7.0 STANDARD PARTS	
7.1 General	7-1
7.2 Standard Parts Details	7-2
8.0 WALL INSTALLATION DETAILS	
8.1 General	8-1
8.2 Preparation for Wall Panel Installation	8-2
8.3 Wall Panel Installation	8-7
9.0 WALL PANEL TRIM INSTALLATION	
9.1 Corner Trim Installation	9-1
9.2 Framed Opening Trim Installation	9-2
9.3 Fixed Glass Trim Installation	9-3



BigbeeRib II Wall Installation Guide

FILENAME: S:\Detailing Manual\Bigbee Rib II Panels\BigbeeRibII Installation Guide\Wall Installation Guide.dwg

RELEASE DATE:	10.15.2007
REVISION DATE:	
VERSION:	PAGE:
1.0	1

1.0 GENERAL

1.1 Purpose of the Installation Guide

This installation guide is provided to Bigbee Steel Buildings, Inc. customers and their erectors as the recommended procedure for the correct assembly of the Bigbee Steel Buildings, Inc. Wall System.

This guide is intended to be used in conjunction with the project's erection drawings to help plan and organize the installation of the Bigbee Steel Buildings, Inc. Wall System. The erection drawings identify the applicable Wall conditions and govern specific part arrangements. The instructions will help you identify parts, establish the installation sequence, demonstrate correct assembly, and point out any areas or procedures requiring special emphasis or attention.

This installation guide applies to the standard Bigbee Steel Buildings, Inc. Wall System. Custom wall conditions, including custom details and instructions, will be covered by the erection drawings. In case of conflict between this installation guide and the erection drawings, the erection drawings will have precedence.

1.2 Customer's Responsibility

The customer is responsible for proper installation of the wall system in accordance with the erection drawings and this installation guide, and in accordance with good engineering and construction practices.

The customer must take the responsibility for selecting a competent erector, insist that the work be performed by qualified and experienced metal wall installers, insist that the erector take time to study and understand this guide, then assure that the erector correctly follows the guide's instructions.

Bigbee Steel Buildings, Inc. does not guarantee and is not liable for the quality of erection. Bigbee Steel Buildings, Inc. is not responsible for building defects that may be attributed to improper erection or the negligence of other parties.

Clarification concerning the Bigbee Steel Buildings, Inc. wall installation should be directed to the Bigbee Steel Buildings, Inc. Customer Service Manager.

Contact the Bigbee Steel Buildings, Inc. office:

Bigbee Steel Buildings, Inc.
2705 Avalon Ave.
Muscle Shoals, AL 35661
Phone: 256-383-7322 or 800-633-3378
Fax: 256-381-9669
www.bigbee.com



BigbeeRib II Wall Installation Guide

FILENAME: S:\Detailing Manual\Bigbee Rib II Panels\BigbeeRibII Installation Guide\Wall Installation Guide.dwg

RELEASE DATE:	10.15.2007
REVISION DATE:	
VERSION:	PAGE:
1.0	1-1

2.0 SAFE WALL INSTALLATION

2.1 Erector's Responsibility

The erector of the wall system is responsible for the safe execution of this installation guide. These instructions are intended to describe the sequence and proper placement of parts. They are not intended to prescribe comprehensive safety procedures.

If the erector cannot safely assemble the wall system in accordance with these instructions, it is the responsibility of the erector to stop the work and contact Bigbee Steel Buildings, Inc. to determine alternate assembly procedures.

2.2 OSHA

The Occupational Safety and Health Act (OSHA) has promulgated many regulations applicable to the installation of this or any other wall system. These regulations, identified as Part 1926, Safety and Health Regulations for Construction, are available from any government bookstore. The objective of the OSHA standards is to protect the worker from injury or illness. These OSHA regulations should be recognized as job site requirements and be fully complied with.

Failure to do so may result in substantial fines in the event of an OSHA inspection. Safe installation practices may be further defined and made mandatory by state or local ordinances.

Maintaining good housekeeping on the jobsite is recognized as being important to both OSHA compliance and to successful job completion.

2.3. Handling Wall Materials in Strong Winds

Do not attempt to move panels in strong winds. Wind pressure can easily cause a man to lose balance and fall. Strong wind uplift on a panel can lift the weight of the man carrying the panel.

Secure stacks of panels with banding or tie-downs, so wind will not blow the panels around. Clamp individual unsecured panels to the wall structurals. Clamp or block panel bundles and accessory crates to prevent them from becoming airborne.

Loose, wind borne panels are very dangerous and can cause severe injury and damage.

2.4 Completed and Braced

Before starting wall installation, it must be confirmed that the structure is designed to accommodate the material and erection loads as well as the appropriate live loads and wind uplift loads.

It also must be determined that the structure is complete and structurally sound with all structural connections and bracing in place and secure.

2.5 Lateral Stability

The wall panels to the wall structural provides limited lateral stability and diaphragm bracing to the wall structural during erection. Before starting the wall

installation, confirm that the necessary roof & wall bracing and sag angles, strapping or bridging for structural stability is in place and secured.



BigbeeRib II Wall Installation Guide

FILENAME: S:\Detailing Manual\Bigbee Rib II Panels\BigbeeRibII Installation Guide\Wall Installation Guide.dwg

RELEASE DATE:	10.15.2007
REVISION DATE:	
VERSION:	PAGE:
1.0	2-1

3.0 RECEIVING & HANDLING WALL MATERIALS

3.1 Material Inventory

Your material is carefully inspected and crated before leaving the plant and accepted by the transportation company as being complete and in satisfactory condition. It is the carrier's responsibility to deliver the shipment intact. It is the consignee's responsibility to inspect the shipment for damages and shortages when it is delivered.

Conducting a material inventory at the time of delivery is essential. By conducting the materials inventory, the erector is able to identify any material shortage or damage and avoid stopping installation later because of such shortage or damage.

It is imperative that any shortages or damage of the delivered materials be noted at once and clearly marked on the bill of lading before signature of acceptance. Notify Bigbee Steel Buildings, Inc. immediately of any conflicts. Bigbee Steel Buildings, Inc. will not be responsible for shortages or damages unless they are noted on the bill of lading.

In the case of packaged components (fasteners and sealants, etc.), the quantities are marked on their container and should be checked against the bill of materials. Bigbee Steel Buildings, Inc. **must be notified of any shortages or concealed damage within 15 days of delivery.**

3.2 Equipment For Unloading and Lifting

Hoisting equipment is necessary to unload and position the panels and accessory crates for site storage and installation. The equipment must have sufficient capacity and reach to place the material where it is required for efficient installation.

Slings will be required to minimize panel damage. The recommended slings are nylon straps of 6" minimum width and of sufficient length to accommodate the panel bundle girth.

A spreader bar will be required for the longer panel crates to assure correct sling spacing and uniform lifting. The spreader bar must be large enough to handle the maximum panel bundle weight and length.

A forklift is handy for unloading and placing shorter panel and accessory crates.

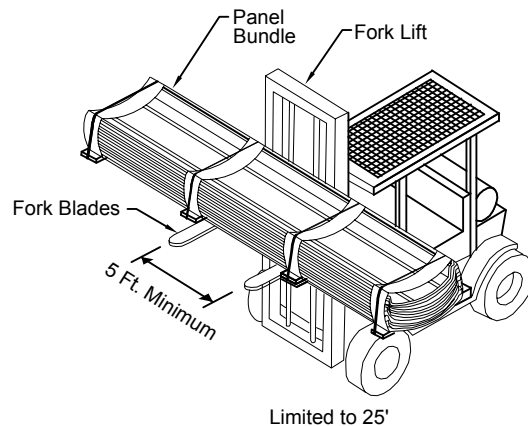
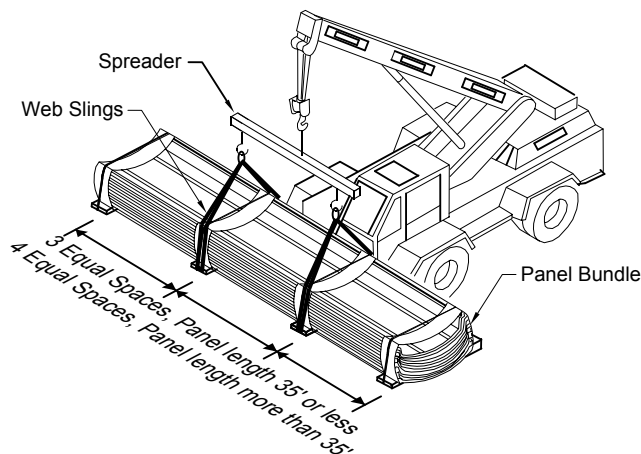
3.3 Lifting Panel Bundles

Under normal conditions, panel crates less than 35' long can be lifted with two slings spaced at third points. Panel crates longer than 35' can be lifted with three slings located at quarter points using a spreader bar to achieve correct sling spacing for uniform lift.

Slings should be located under the cross boards. Loads should always be checked for secure hook-up, proper

balance, and lift clearance. Tag lines should be used if necessary to control the load during lifting, especially if operating in the wind.

Panel crates less than 25' long may be lifted with a forklift only if the forks are spread at least 5' apart and blocking is used to prevent panel damage by the forks.



BigbeeRib II Wall Installation Guide

FILENAME: S:\Detailing Manual\Bigbee Rib II Panels\BigbeeRibII Installation Guide\Wall Installation Guide.dwg

RELEASE DATE: 10.15.2007

REVISION DATE:

VERSION:

PAGE:

1.0

3-1

3.0 RECEIVING & HANDLING WALL MATERIALS

3.4 Field Storage of Wall Materials

Upon acceptance of the shipment, the customer or his representative is responsible for proper handling storage and security of the wall materials. Bigbee Steel Buildings, Inc. is not liable for damage or loss of materials at the job site.

The panel bundles should be stored on the job site in accordance with the following recommendations:

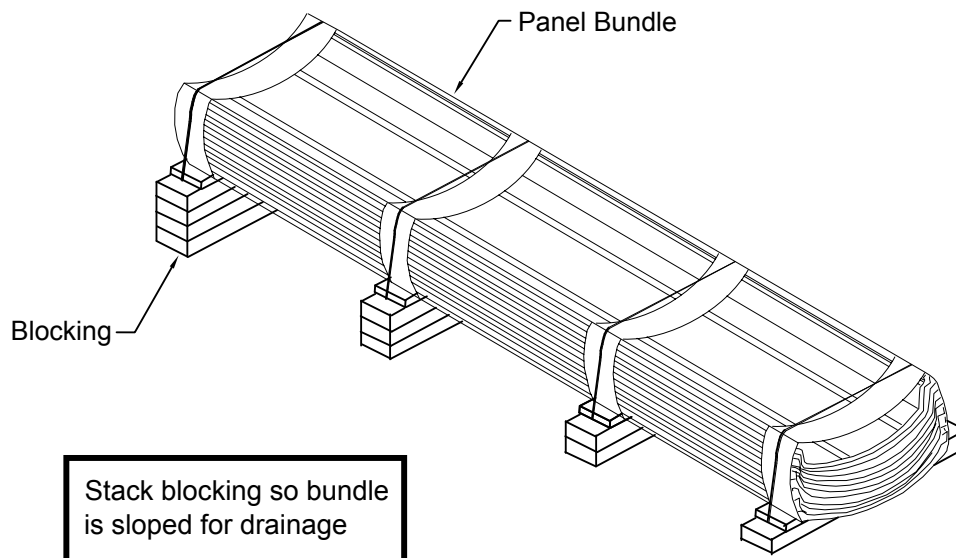
- A.** Store panels in a protected area, out of standing water and drifting snow, etc.
- B.** Elevate panels with blocking to allow air circulation under the bundle.
- C.** Slope panels for drainage of moisture from the panels.
- D.** As necessary, cover panels with waterproof tarp, allowing for air circulation (do not wrap tarp under panel crate or restrict air movement).
- E.** Inspect panels daily for moisture accumulation.

F. If panel bundles contain moisture, the panels should be dried and re-stacked. Use care in re-stacking to avoid damage to panels.

G. Opened or re-stacked panel bundles should be secured to prevent wind damage.

When moving panel bundles, extreme caution should be taken to prevent damage to the panel edges. Uncrated panels should be supported at each end and at 8' spaces.

Trim and accessories should be stored in a secure area and protected from damage, weather, and theft. Fasteners, sealants, closures, etc. should be stored out of the weather and protected from contamination.



BigbeeRib II Wall Installation Guide

FILENAME: S:\Detailing Manual\Bigbee Rib II Panels\BigbeeRibII Installation Guide\Wall Installation Guide.dwg

RELEASE DATE:	10.15.2007
REVISION DATE:	
VERSION:	PAGE:
1.0	3-2

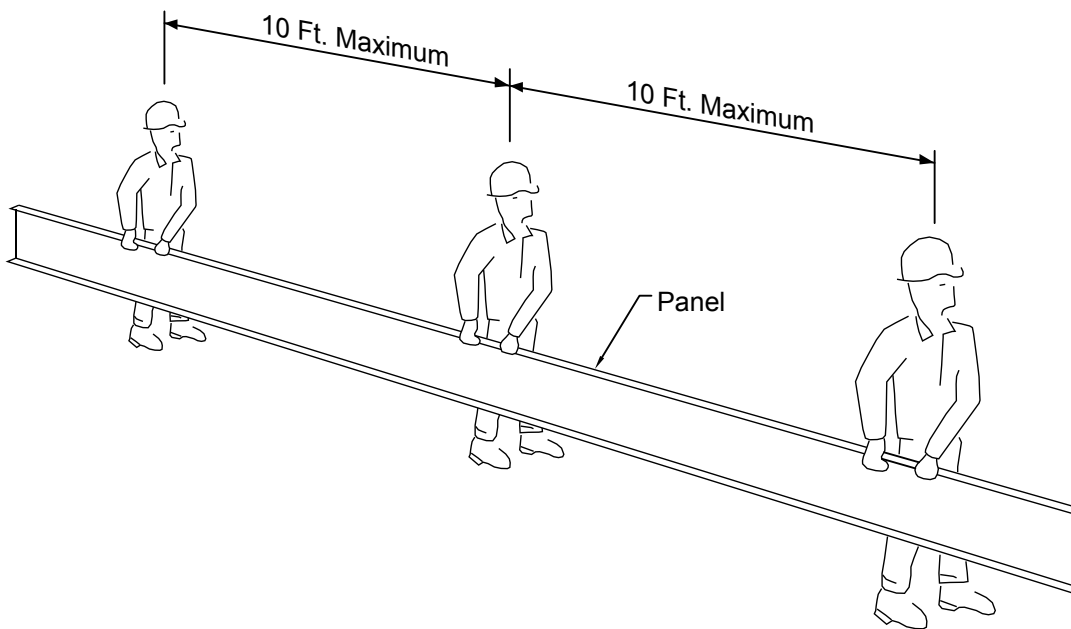
3.0 RECEIVING & HANDLING WALL MATERIALS

3.5 Handling Individual Wall Panels

To lift individual panels, lift one side of the panel by the seam letting it hang naturally to prevent buckling. Pick-up points should NOT be more than 10' apart. **Do not pick-up panels by the ends only, or in a flat position.**

If the individual panels are to be lifted by hand line, the common method is to use the vice grip "C" clamps. Position the clamps on the flat of the panel, as close as possible to one edge so the panel is lifted in a vertical position.

The jaws of the vice grips must be padded to prevent damage to the panel surface. The clamps should be uniformly spaced, no more than 10' apart and the hand lines must be pulled in unison so that uneven lifting does not buckle the panel. Be sure the clamps are tight on the panel and the line is secure to prevent dropping the panel, which can result in personal injury and property damage.



BigbeeRib II
Wall Installation Guide

FILENAME: S:\Detailing Manual\Bigbee Rib II Panels\BigbeeRibII Installation Guide\Wall Installation Guide.dwg

RELEASE DATE:	10.15.2007
REVISION DATE:	
VERSION:	PAGE:
1.0	3-3

4.0 WALL INSTALLATION BASICS

4.1 Proper Tools

Before starting paneling, be sure that the proper equipment and tools are on hand. The tools must be in good operating condition and operators should adhere to safety precautions at all times.

Improperly operating tools, too few tools, inadequate power source, or other equipment deficiencies slow down the installation process. The cost of inefficient working is usually greater than the cost of providing good equipment.

4.2 Equipment List

The following tools and equipment should be considered for efficient installation of the Bigbee Steel Buildings, Inc. panels. Actual tools and equipment required may vary due to variations in building type and construction.

This list should not be interpreted as a limitation to your inventory of installation equipment.

Screw Guns -- Designed for use with self-drilling screws
Socket Extensions -- 3" extension for screw gun Hex
Socket Heads -- 1/4", 5/16" and 3/8", magnetic
Drill Motor -- 1/4" capacity
Drill Bits -- Assortment
Sheet Metal Cutter -- or power shears or nibbler
"C" Clamps -- vise grip type with swivel pads
Pop Rivet Tool -- 1/8" capacity
Sheet Metal Shears -- left and right cut
Hack Saw -- with metal cutting blade

Combination Square
Crimping Pliers
Steel Measuring Tape -- 12', 50', 100'
Nylon String Lines
Chalk Line (NO red chalk)
Brooms
Marking Pen (NO lead pencils)
Caulk Guns -- for 1/10 gallon sealant tubes
Power Source and Extension Cords -- capable of handling the total equipment requirements, without power drop due to extension cord length.

4.3 Sealants

A. TEMPERATURE EFFECTS

Temperature extremes must be considered during installation of the wall due to the sensitivity of sealants. The recommended installation temperature range is 20° F to 120° F. At colder temperatures, the sealant stiffens resulting in loss of adhesion and compressibility. At hotter temperatures, the sealant becomes too soft for practical handling. On cold but sunny days, the panel's surface may become warm enough to accept the application of a heated sealant even though the air temperature is below 20° F.

When overnight temperatures fall below freezing, the sealant should be stored in a heated room so it will be warm enough to use the following day. On hot days, the sealant cartons should be stored off the roof in a cool and shaded area. While on the roof, sealant rolls should be kept shaded until actual use.

In very cold weather, it is recommended that the fasteners be tightened slowly and only tight enough that the sealant is in full contact with the panel or flashing. Then on the next sunny day, complete the tightening process after the sun warms the panel and flashing surfaces.

B. CONTAMINATION

To assure proper adhesion and sealing, the sealant must have complete contact with adjoining surfaces and achieve 30% compression. Contaminants such as water, oil, dirt and dust prevent such contact. The panel and flashing surfaces must be dry and thoroughly cleaned of all contaminants. Before applying tape sealant, the sealant should be checked for contaminants. If the sealant surfaces are contaminated, it must not be used.

During cool weather, condensation or light mist can accumulate on the panel and flashing surface and not be easily noticed. It is recommended that sealants always be kept under protective cover and that the panel and flashing surfaces be wiped dry immediately before installation.

Tape sealant is provided with a protective paper to reduce contamination. Incomplete removal of the protective paper will prevent the sealant's adhesion to the panel or flashing surfaces. Always check that the protective paper is completely removed. Do not remove the protective paper until immediately before the panel or flashing is installed over the sealant.



BigbeeRib II Wall Installation Guide

FILENAME: S:\Detailing Manual\Bigbee Rib II Panels\BigbeeRibII Installation Guide\Wall Installation Guide.dwg

RELEASE DATE:	10.15.2007
REVISION DATE:	
VERSION:	PAGE:
1.0	4-1

4.0 WALL INSTALLATION BASICS

4.3 Sealants (Continued)

C. COMPRESSION

To assure proper adhesion and seal, the tape sealant must be compressed between the panel and flashing surfaces with firm and uniform pressure. In most cases, the required pressure is applied by the clamping action of screws pulling the adjoining surfaces together. However, the tape sealant's resistance to pressure becomes greater in cold weather.

During cold weather, the fasteners must be tightened slowly to allow the sealant time to compress. If the fasteners are tightened too fast, the fastener may strip out before the sealant compresses adequately, or the panel or flash may deform in the immediate area of the fastener, leaving the rest of the sealant insufficiently compressed.

4.4 Fasteners

A. SCREW GUN

Use torque control and variable speed screw guns for driving self-drilling screws. 2000-2500 RPM screw gun speeds are necessary to attain efficient drilling speeds. High tool amperage (4 to 7 AMP) is required to achieve the proper torque for proper seating and to secure the fastener.

If too little pressure is applied, the drill point may not cut into the metal and the point will heat up and become dull. If the pressure is too heavy, the bottom material may be deflected away, causing a standoff condition, or the drill tip may be broken or splits. Screws must be held perpendicular to the panel or flashing surface during starting and driving.

B. SOCKETS

Use good quality magnetic sockets. Good fitting sockets reduce wobble and stripping of the screw heads, especially the alloy and capped heads. They also minimize objectionable paint chipping and scuffing on colored screws and minimize damage to the protective coating on unpainted screws.

For proper seating of the fastener-sealing washer, the panel or flashing surface must be clean and drill shavings must be removed from under washers before seating. The fastener must be driven perpendicular to the panel surface so that the washer can seat level without warping or cupping.

Magnetic sockets collect drill shavings, which will build up and eventually prevent the socket from seating properly on the screw heads. One method of removing the drill shavings is to roll up a ball of tape sealant and push the socket into the sealant.

Do not over drive screws. Over driving can strip the threads and/or damage the sealing washer. Use screw gun with torque control set to function properly for the combination of fastener size, hole size and material thickness.

When the socket is removed from the sealant, most of the drill shavings will remain embedded in the sealant thereby cleaning the socket. This process should be repeated as often as needed to keep the socket clear of drill shavings.

The fastener should be driven tight enough to uniformly compress the washer but not so tight that the washer splits or rolls out from under its metal dome. The recommended procedure is to tighten the fastener until the sealing washer just starts to visually bulge from under the metal dome.

C. INSTALLATION

Before starting the screw, the materials to be joined must be pressed together with hand pressure. The pressure must be maintained until the screw has drilled through all the materials and the threads have engaged.

As a good installation practice, all installers should carry approved oversized screws. Upon stripping or breaking a screw, the screw must be immediately removed and replaced with the appropriate oversized screw. Do not defer the screw replacement to be remembered and fixed later, or to be found by the clean-up crew. The majority of such screws will be overlooked until the customer complains of leakage.

Most self-drilling screws require 20 pounds of pressure to maintain the drilling action and to start the thread cutting action. Also, applying such pressure before starting the screw gun will usually prevent tip walking or wandering.



BigbeeRib II Wall Installation Guide

FILENAME: S:\Detailing Manual\Bigbee Rib II Panels\BigbeeRibII Installation Guide\Wall Installation Guide.dwg

RELEASE DATE:	10.15.2007
REVISION DATE:	
VERSION:	PAGE:
1.0	4-2

4.0 WALL INSTALLATION BASICS

4.5 Field Cutting Panels and Flashing

A. ABRASIVE SAW PROBLEMS

Abrasive saws (circular saws with friction disks) are not recommended for cutting panels or flashing. Abrasive saws create high heat that may burn away the protective coating from the panel edge, causing the edge to rust.

Also, abrasive saw dust contains fine, hot steel particles, which accumulate on panel and flashing surfaces where they rust and can cause staining and rusting of those surfaces.

Rust caused by abrasive saw damage or abrasive dust particles can be excluded from warranty claims.

B. SHEARING METHODS

It is recommended that panels and flashing be cut with shears to provide a clean, undamaged cut. On shear cut edges, the protective coating extends to the edge of the cut and is often wiped over the edge to further protect the base metal. Whenever possible, fit the material so that the factory cut edge is exposed and the field cut edge is covered.

When field cutting complex shapes, it is usually easier to cut out a 1" wide strip using both left and right hand shears. The 1" cutout provides clearance to smoothly cut the flats and the clearance to work the shears around tight corners.

When making repetitive cuts (such as cutting panels at a hip condition) it is recommended that a template be made from a piece of drop-off panel or flash to provide fast and accurate marking of the field cut. When using panel material for the template, cut off the top portion of the panel ribs so that the template is easily laid onto the panel being marked.

C. MARKING PANELS

Avoid marking the panels for cutting, etc., in a manner that will leave visible markings stains, etc., on the finished surface. Use chalk or felt tip ink markers. Do not use graphite (lead) pencils on unpainted panel surfaces, the graphite can cause rusting of the surface.



BigbeeRib II
Wall Installation Guide

FILENAME: S:\Detailing Manual\Bigbee Rib II Panels\BigbeeRibII Installation Guide\Wall Installation Guide.dwg

RELEASE DATE:	10.15.2007
REVISION DATE:	
VERSION:	PAGE:
1.0	4-3

5.0 WALL PANEL LAYOUT

5.1 Sheeting Direction and Modularity

Although the Bigbee Steel Buildings, Inc. wall system is designed so it can be installed in either direction (left to right or right to left), panel side laps should always be orientated away from the main traffic area's line of sight and away from the prevailing wind direction if possible. Check the erection drawings to determine if a specific sheeting direction is required.

The recommended installation sequence is to complete each panel run from base to eave before starting the next panel run. This sequence will help ensure straight runs and allow the insulation to be installed immediately ahead of each panel run.

During installation considerations must be made for maintaining panel modularity. By maintaining panel modularity, the panel side lap can be properly assembled, the proper coverage can be obtained, etc.

Caution: **Failure to maintain panel coverage** within the specified tolerance can cause faulty panel seams which can result in a reduction in wall performance.

The panels must be held to the width dimension of the panel as designated on the erection drawings within a 1/8" width tolerance per panel. The accumulated coverage (start panel to finish panel) tolerance is determined by the ability to keep the panels parallel and to correctly fit and assemble the finish corner condition.

5.2 Layout & Checking for Coverage

After the start panel is secured and engaged with the next panel, the start panel seam will be the reference line for checking accumulated panel coverage.

Panel coverage is always checked at the base, eave and end splices so that non-vertical seam (or dogleg) conditions can be detected and corrected before they become objectionable. The coverage check should be done with a measuring tape held taut and measured to the same side of the seam and always parallel to the base to prevent any measuring error.

Every four to six panel runs should be checked for panel modularity. This will assure that the panels are maintaining a straight line and proper coverage is being maintained. If the panels are off module, they should be corrected by equal adjustments of the next four to six panel runs.

5.3 Appearance Considerations

Although the above stated coverage tolerance will provide for reasonable ease of installation and water tightness, such visible conditions as non-vertical panel seams, dogleg of the panel seam at the end splices and non-vertical finish panel width, may be objectionable and should be confirmed with the customer before continuing wall installation.



BigbeeRib II Wall Installation Guide

FILENAME: S:\Detailing Manual\Bigbee Rib II Panels\BigbeeRibII Installation Guide\Wall Installation Guide.dwg

RELEASE DATE:	10.15.2007
REVISION DATE:	
VERSION:	PAGE:
1.0	5-1

6.0 INSPECTION OF WALL ASSEMBLY DURING INSTALLATION

6.1 Importance of Inspection

During the panel installation, all areas of the wall system assembly must be frequently inspected to ensure the correct assembly in accordance with the erection drawings and this installation guide.

Failure to assemble the wall system correctly will result in performance problems that may require costly corrective work, panel replacement and performance and damage claims etc. Also, incorrect installation may void the performance and material warranties.

6.2 Inspection List

A. ERECTION DRAWINGS

Check that the erection drawings are available at the job site and have been reviewed for difference with the actual job conditions and differences with this installation guide. Also, confirm that the drawings are the latest issue with the latest revisions and additions.

B. PANEL LAYOUTS

Check that the start and finish dimensions have been correctly determined based on the erection drawings and the actual structural conditions.

C. BEFORE INSTALLING PANELS

Check that the structural misalignments were corrected in accordance with Section 3.0 of this installation guide.

Check that the correct flashings are in place before installing the panels.

D. PANEL LENGTH

Check that the installed wall panels have the correct overhang at the base and endlaps, in accordance with the erection drawing.

E. SIDELAP SEALANT

Check that the panel sidelaps are on module (held to within the 1/8" panel width tolerance) and are assembled so that the male and female panel edges are properly nested together.

At wall areas that maybe subjected to snow drifting against the wall panels, tape mastic must be installed between the panel side laps. Check that the sealant is in the correct position and installed in the areas noted on the erection drawings.

Check that the sealant is in complete contact with the panel and without any voids or gaps. Confirm that the panels are clean and dry during installation and that the sealant is not wet or otherwise contaminated.

F. ENDLAP SEAL

Check that the wall panel endlaps are correctly assembled and that the lapping panels are tightly nested without visible gaps.

G. FLASHING AND PENETRATIONS

Check that all flashing (including penetrations) are correctly assembled and tightly fitted. Check that the required sealants are correctly positioned and in complete contact with the adjoining surfaces without voids or interruptions. Confirm that the sealants and adjoining surfaces are clean and dry during installation.

Check that the flashing splices are correctly lapped, sealed and fastened.

Check that the flashing is sufficiently pitched to shed water and eliminate ponding areas, especially at the critical splices, endlaps and corners.

Check that the fasteners are of the specified type, size, length, finish and spacing. Check that the fasteners are not loose or stripped. Check that the sealing washers are in full contact with the flashing surface and not distorted, split or otherwise damaged.

H. SURFACE CONDITIONS

Damaged surfaces are subject to corrosion and performance problems and may void the material and performance warranties

L. UNSPECIFIED MATERIALS

Use of the wrong materials may cause installation and performance problems and may void the performance and material warranties.

Check that all installed materials, especially sealants and fasteners, are only those which are provided or specified by Bigbee Steel Buildings, Inc. for your specific project and are used only as specified on the erection drawings and this installation guide.

Bigbee Steel Buildings, Inc. cannot be responsible for the performance of roof materials that are not provided, specified or approved by Bigbee Steel Buildings, Inc.



BigbeeRib II Wall Installation Guide

FILENAME: S:\Detailing Manual\Bigbee Rib II Panels\BigbeeRibII Installation Guide\Wall Installation Guide.dwg

RELEASE DATE:	10.15.2007
REVISION DATE:	
VERSION:	PAGE:
1.0	6-1

7.0 STANDARD PARTS

7.1 General

The following details provide a basic description and graphic illustrations of the standard parts. The purpose of these details is to assist the erector in the correct selection and identification of parts.

Because of the many variations in conditions, it is important that you review the job conditions to identify the specific parts required for your job.

Review the erection drawings for any special parts or parts which are different from the standard parts shown in these details. If differences exist, the erection drawings will have preference.

For proper fit-up, sealing and fastening, and to help ensure the wall assembly's weathertightness, structural capability, durability and appearance, the correct parts must be used. Do not use parts other than those specified on the erection drawings.



BigbeeRib II Wall Installation Guide

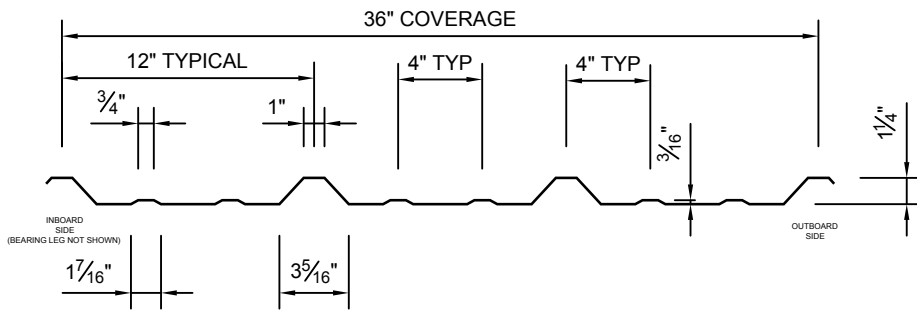
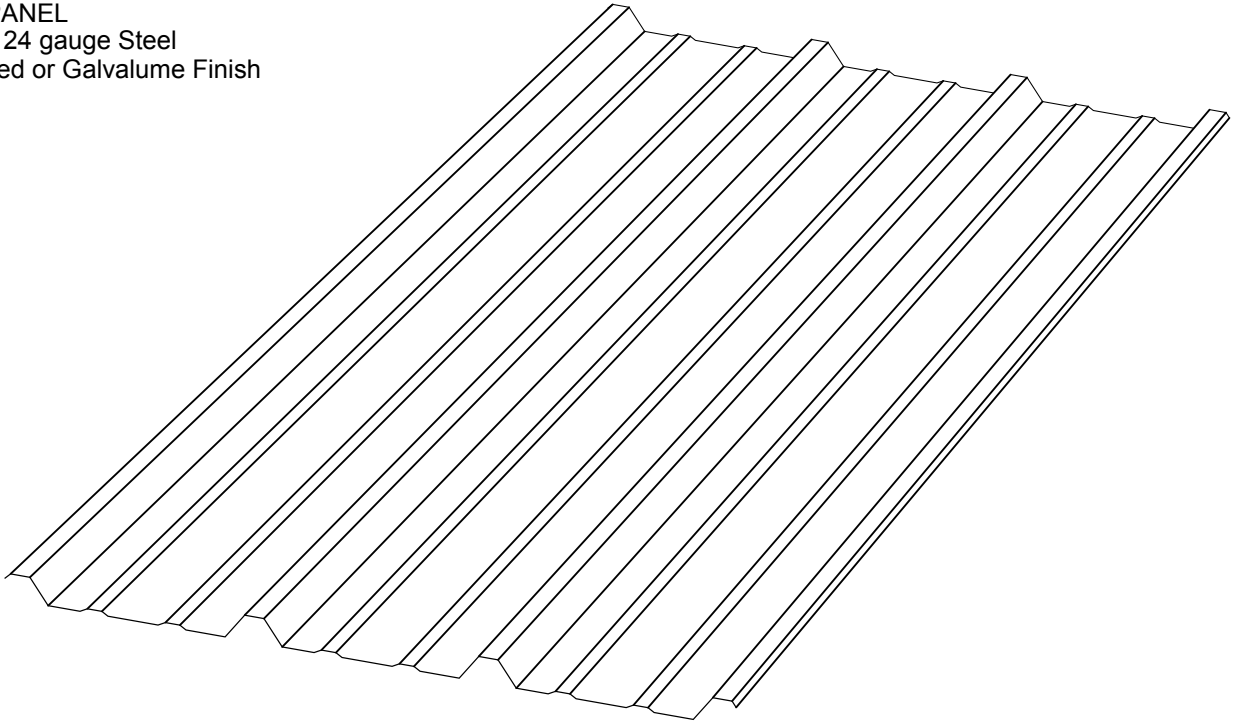
FILENAME: S:\Detailing Manual\Bigbee Rib II Panels\BigbeeRibII Installation Guide\Wall Installation Guide.dwg

RELEASE DATE:	10.15.2007
REVISION DATE:	
VERSION:	PAGE:
1.0	7-1

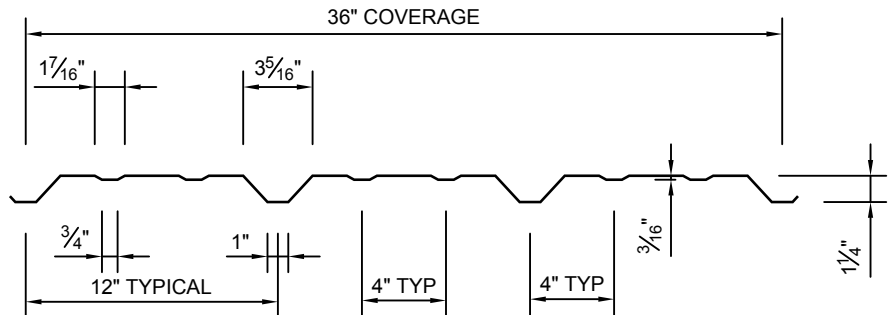
7.0 STANDARD PARTS

WALL PANEL

- 26 or 24 gauge Steel
- Painted or Galvalume Finish



BigbeeRib II Profile
(Specify gauge, finish & length)



"REVERSE RUN" BigbeeRib II Profile
(Specify gauge, finish & length)



BigbeeRib II
Wall Installation Guide

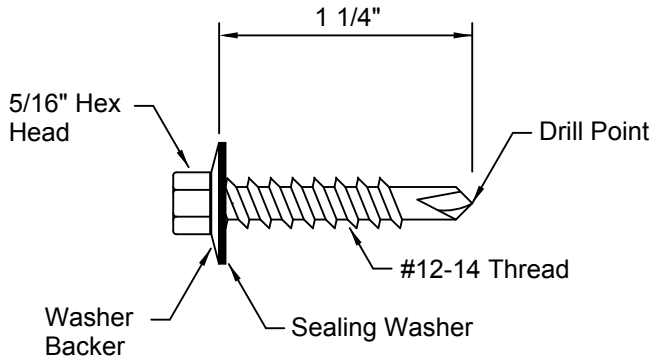
FILENAME: S:\Detailing Manual\Bigbee Rib II Panels\BigbeeRibII Installation Guide\Wall Installation Guide.dwg

RELEASE DATE:	10.15.2007
REVISION DATE:	
VERSION:	PAGE:
1.0	7-2

7.0 STANDARD PARTS

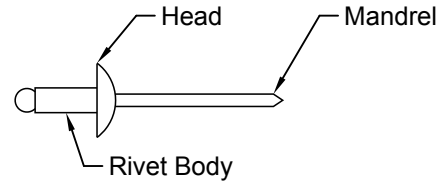
ROOF FASTENER

- #12-14 x 1 1/4" hex head, Self Drilling Screw
- EPDM Sealing Washer
- Corrosion resistant coating or alloy head
- Painted or mill finished head



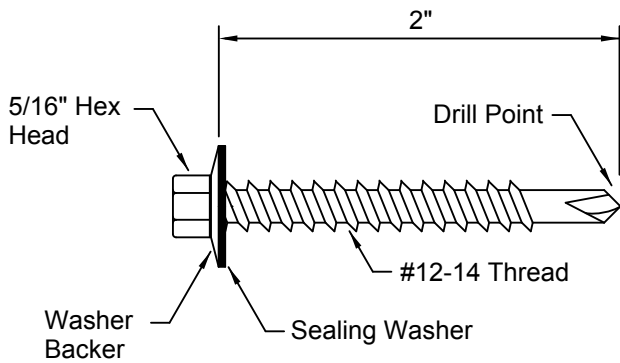
BLIND RIVET

- (for flashing joints)
- Stainless steel
 - 1/8" dia. x 3/16" length



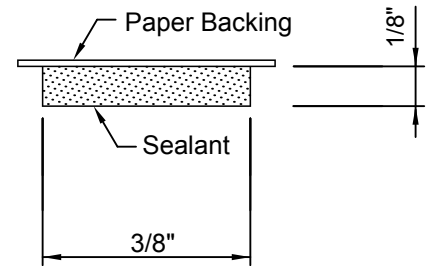
ROOF FASTENER (use with 6" thick insulation)

- #12-14 x 2" hex head, Self Drilling Screw
- EPDM Sealing Washer
- Corrosion resistant coating or alloy head
- Painted or mill finished head



TAPE MASTIC (SEALANT)

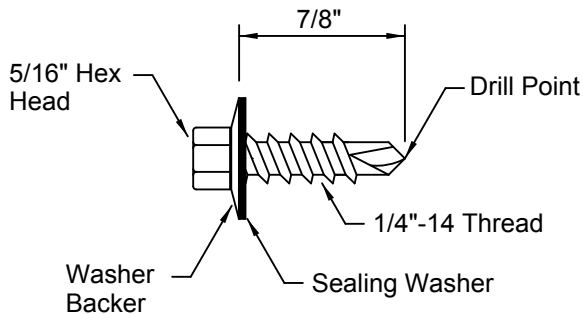
- (for panel side & end laps, flashing laps & joints)
- 1/8" x 3/8" Butyl Tape Sealant



LAP FASTENER

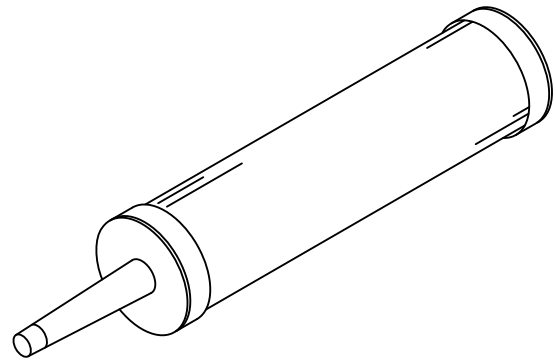
(for side laps and flashing attachment)

- 1/4"-14 x 7/8" Self Drilling Screw
- EPDM Sealing Washer
- Corrosion resistant coating or alloy head
- Painted or mill finished head



TUBE SEALANT

- Urethane Gun Grade Sealant
- Color - grey
- 1/10 Gal. Tubes



BigbeeRib II Wall Installation Guide

FILENAME: S:\Detailing Manual\Bigbee Rib II Panels\BigbeeRibII Installation Guide\Wall Installation Guide.dwg

RELEASE DATE: 10.15.2007

REVISION DATE:

VERSION: PAGE:

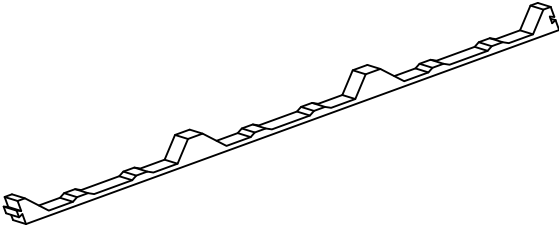
1.0

7-3

7.0 STANDARD PARTS

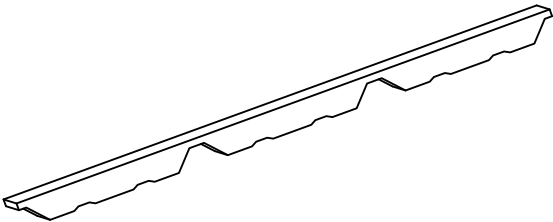
INSIDE CLOSURE

• 1 1/4" x 3'-0"



OUTSIDE CLOSURE

• 1 1/4" x 3'-0"



BigbeeRib II
Wall Installation Guide

FILENAME: S:\Detailing Manual\Bigbee Rib II Panels\BigbeeRibII Installation Guide\Wall Installation Guide.dwg

RELEASE DATE:	10.15.2007
REVISION DATE:	
VERSION:	PAGE:
1.0	7-4

8.0 WALL INSTALLATION DETAILS

8.1 GENERAL

The following details provide graphic illustration of the wall assembly steps. The purpose is to instruct the erector in correct and efficient assembly of the wall system.

Because of the many variations in conditions, it is important that you review the job to identify and isolate the specific installation details required for your job.

Review the erection drawings for differences with these details. If differences exist, the erection drawings have precedence.

These details are arranged in a step-by-step sequence. Following this sequence ensures correct assembly and ensures that the part to be worked on will be readily accessible for the next assembly step.

Do not shortcut these assembly steps without careful consideration of the possibility of incorrect or omitted assembly and the resulting corrective rework.

To help ensure weathertightness, the details emphasize proper fit-up, sealing and fastening. It is most important that only the specified sealants and fasteners be used for each condition and that they be installed correctly as shown on these details and the erection drawings.

Be sure that these critical instructions are reviewed often and the wall assembly is checked at each assembly step.



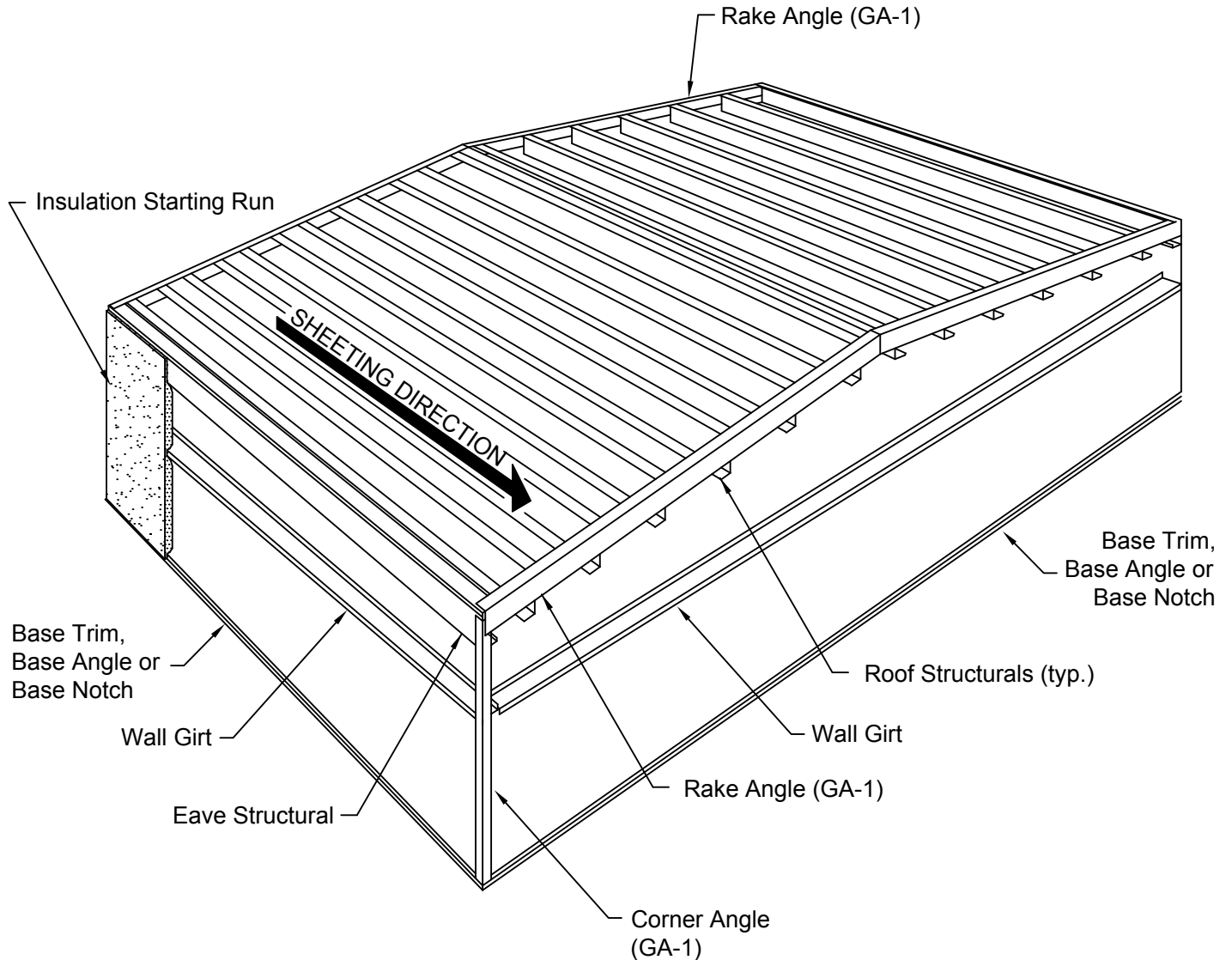
BigbeeRib II
Wall Installation Guide

FILENAME: S:\Detailing Manual\Bigbee Rib II Panels\BigbeeRibII Installation Guide\Wall Installation Guide.dwg

RELEASE DATE:	10.15.2007
REVISION DATE:	
VERSION:	PAGE:
1.0	8-1

8.2 PREPARATION FOR WALL PANEL INSTALLATION

8.2.1 ORIENTATION VIEW



The details in this section will show the installation of the base trim, corner angle, door cap trim, door trim, and the first run of insulation. These are parts that must be installed before the wall panel installation can begin.

This view shows the wall system oriented for a left-to-right sheeting direction. For right-to-left sheeting, reverse the parts orientation.



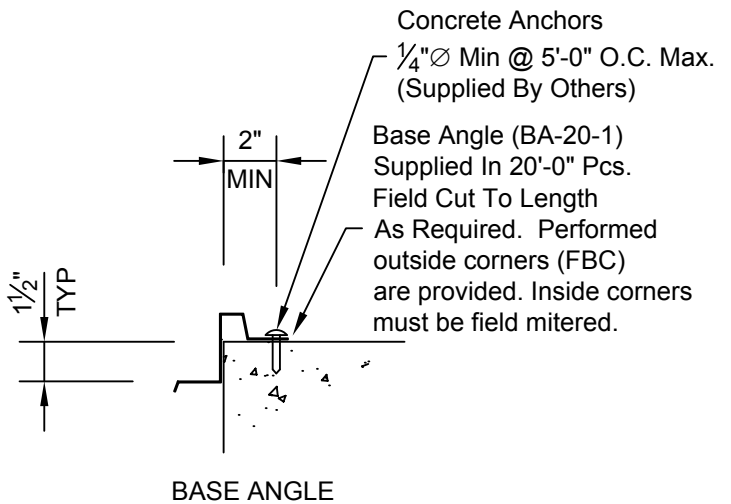
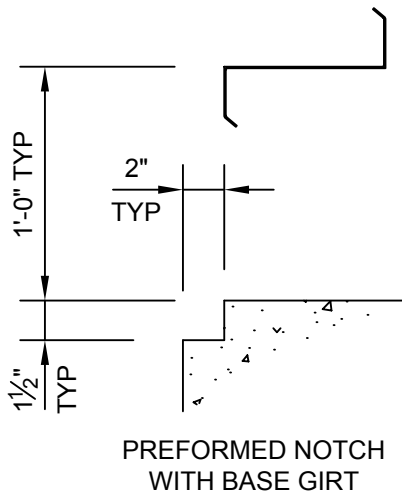
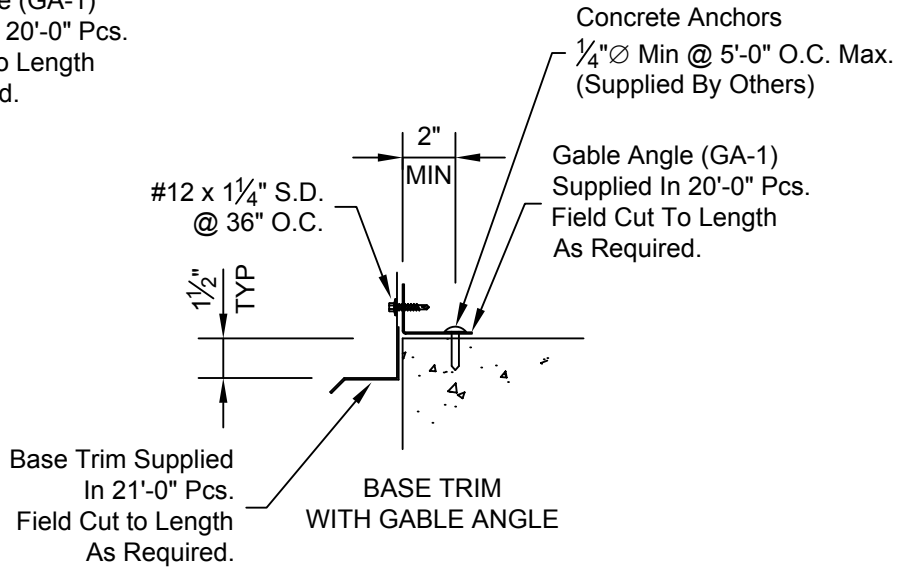
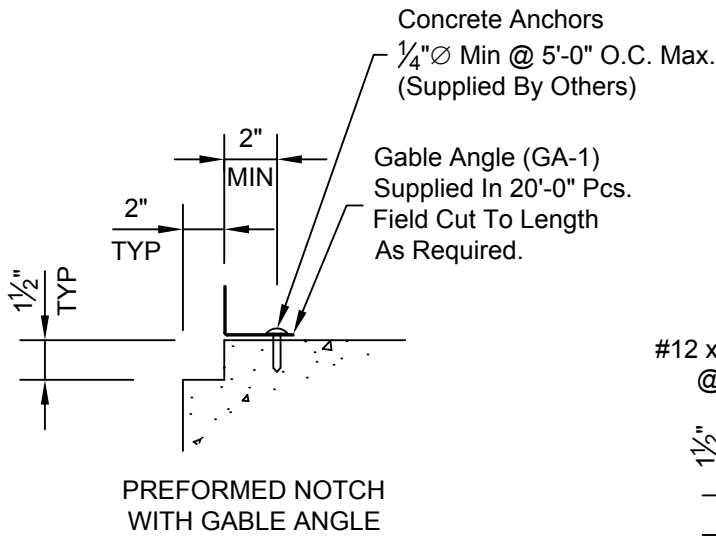
BigbeeRib II Wall Installation Guide

FILENAME: S:\Detailing Manual\Bigbee Rib II Panels\BigbeeRibII Installation Guide\Wall Installation Guide.dwg

RELEASE DATE:	10.15.2007
REVISION DATE:	
VERSION:	PAGE:
1.0	8-2

8.2 PREPARATION FOR WALL PANEL INSTALLATION

8.2.2 BASE TRIM, ANGLE OR NOTCH INSTALLATION



There are several different wall panel base conditions. Shown above are some of the most common types. Refer to the erection drawings for the type required on your project.

Note: Masonry anchors or fastener required to attach base members or trim to the slab are NOT provided by Bigbee Steel Buildings, Inc.



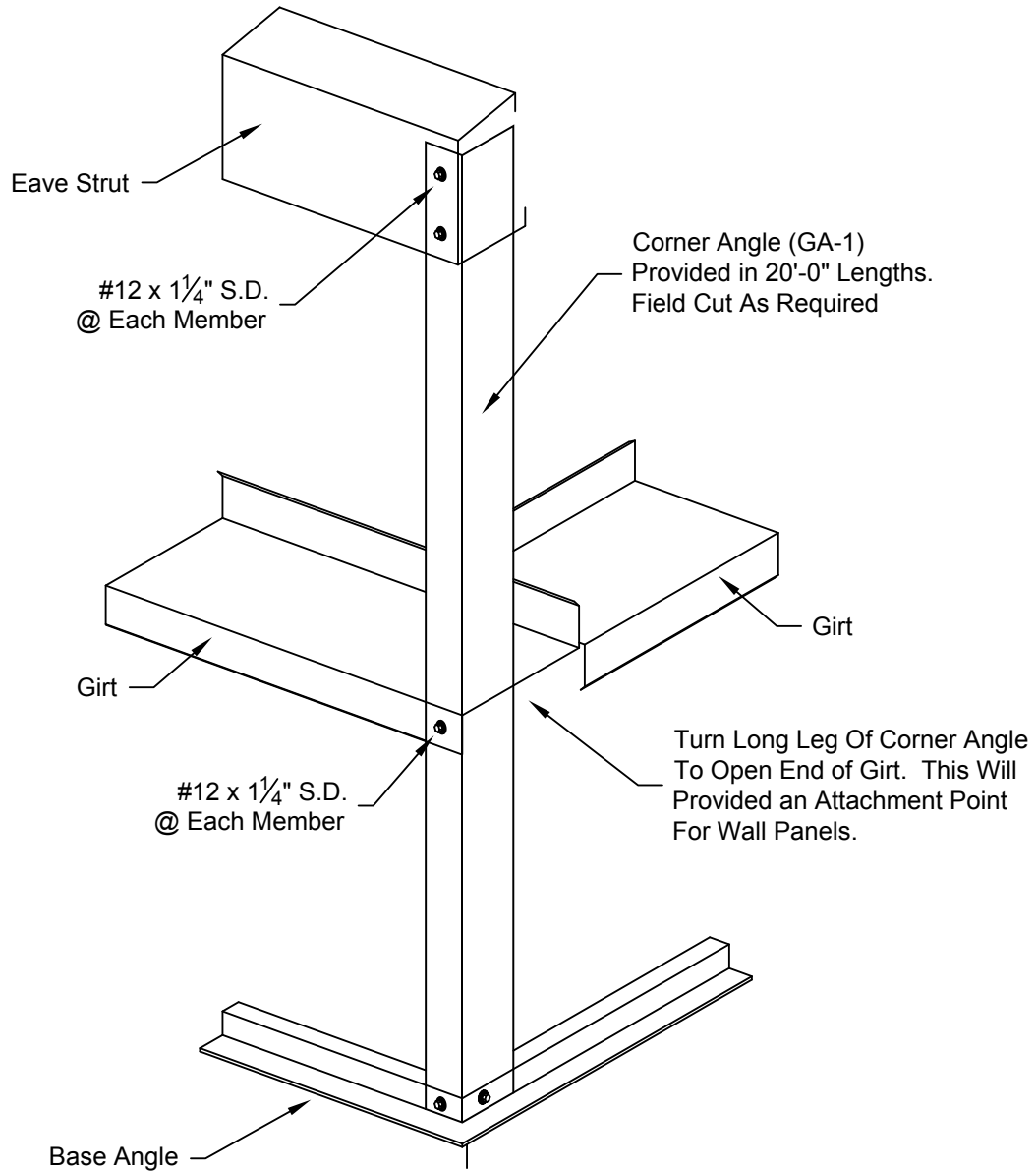
BigbeeRib II Wall Installation Guide

FILENAME: S:\Detailing Manual\Bigbee Rib II Panels\BigbeeRibII Installation Guide\Wall Installation Guide.dwg

RELEASE DATE:	10.15.2007
REVISION DATE:	
VERSION:	PAGE:
1.0	8-3

8.2 PREPARATION FOR WALL PANEL INSTALLATION

8.2.3 CORNER ANGLE INSTALLATION



A vertical corner angle (GA-1) is provided at each inside and outside corner. The corner angle provides an attachment point along the vertical edge of the wall panel and also provides support for the wall insulation between the base, girts and eave.

Attach the corner angle to the base member, girts and eave member as shown in the details above.



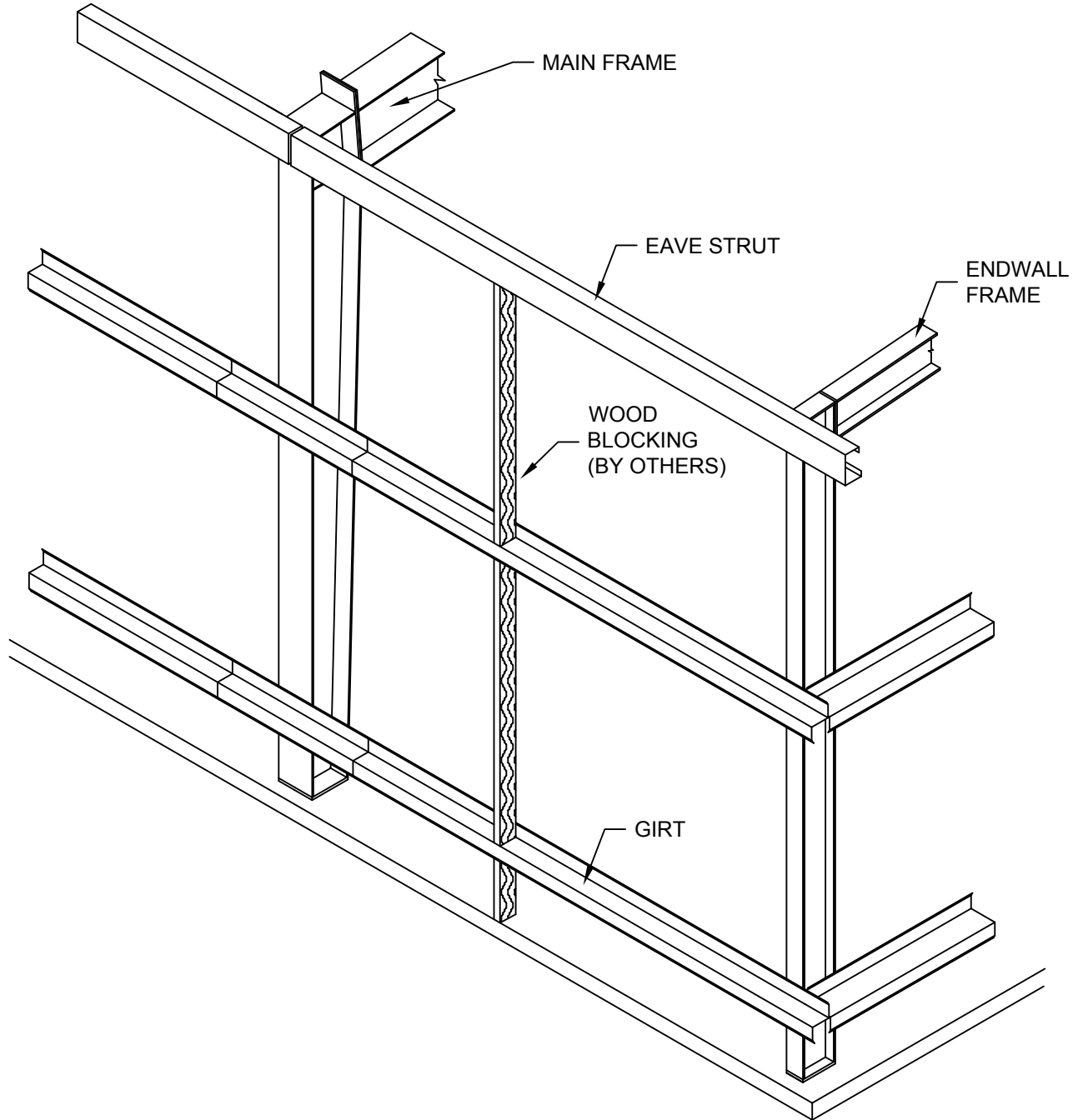
BigbeeRib II Wall Installation Guide

FILENAME: S:\Detailing Manual\Bigbee Rib II Panels\BigbeeRibII Installation Guide\Wall Installation Guide.dwg

RELEASE DATE:	10.15.2007
REVISION DATE:	
VERSION:	PAGE:
1.0	8-4

8.2 PREPARATION FOR WALL PANEL INSTALLATION

8.2.4 ALIGNING GIRTS & EAVE STRUTS



Installation of the building wall panels are generally done before the roof. Before starting the wall panel installation, make sure that the eave struts and girts are straight and level. To align the girts, cut temporary wood blocking to the proper length and install between the girts.

Blocking can be moved from bay to bay which will reduce the number of pieces required. Normally, one line of blocking at each bay will be sufficient.



BigbeeRib II Wall Installation Guide

FILENAME: S:\Detailing Manual\Bigbee Rib II Panels\BigbeeRibII Installation Guide\Wall Installation Guide.dwg

RELEASE DATE: 10.15.2007

REVISION DATE:

VERSION:

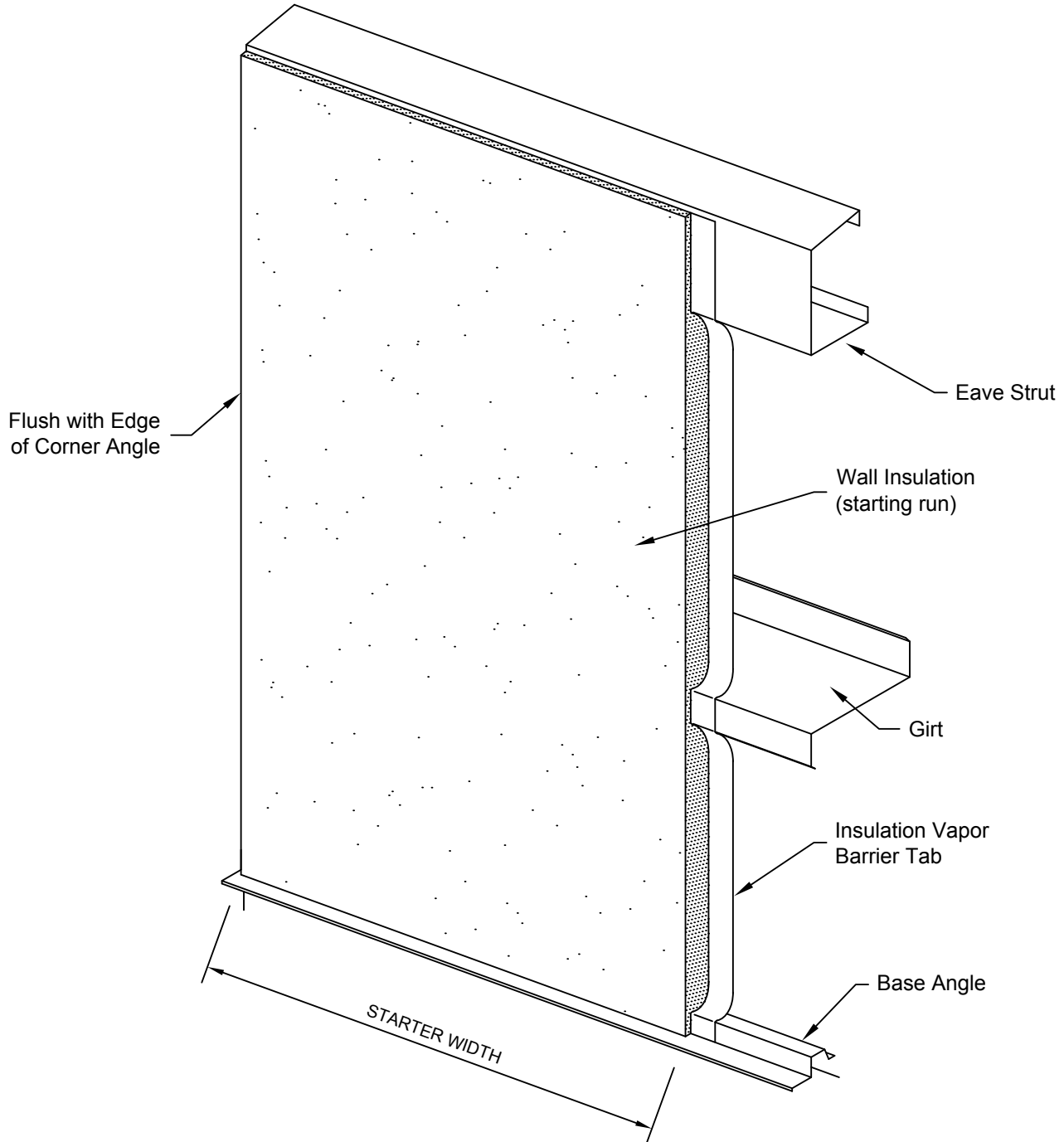
PAGE:

1.0

8-5

8.2 PREPARATION FOR WALL PANEL INSTALLATION

8.2.5 INSTALL STARTER RUN OF INSULATION



Refer to the erection drawings to determine the specific insulation required for the project. In all cases refer to the insulation manufacturer's instructions for proper insulation installation and vapor seal assembly. This detail shows fiberglass blanket insulation, which is the most commonly used insulation for metal building walls.

The leading edge of each insulation run should extend

approx. 12" beyond the leading edge of the wall panel. This will allow for easy assembly of the vapor barrier seal between insulation runs.

Use double-faced tape along the backside of the eave strut, corner angle, base angle and outside tabs at each support member to hold the insulation in place until the wall panel is installed.



BigbeeRib II Wall Installation Guide

FILENAME: S:\Detailing Manual\Bigbee Rib II Panels\BigbeeRibII Installation Guide\Wall Installation Guide.dwg

RELEASE DATE: 10.15.2007

REVISION DATE:

VERSION:

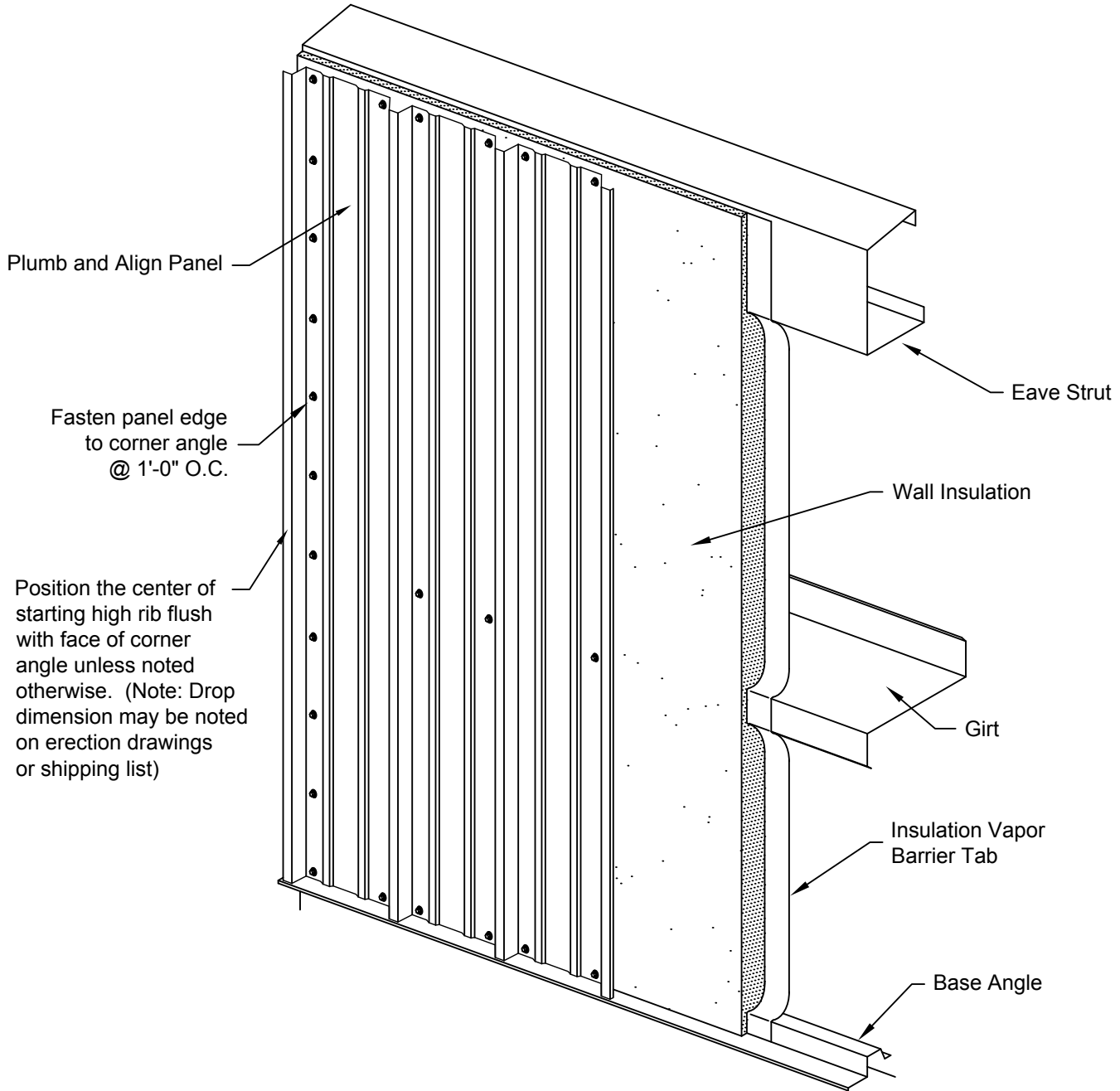
PAGE:

1.0

8-6

8.3 WALL PANEL INSTALLATION

8.3.1 INSTALL STARTING WALL PANEL



BigbeeRib II wall panel sidelaps are designed so that the panel can be install from right to left or left to right. So for the best appearance the wall panels should be erected so that sidelaps are away from the main traffic area's line of sight.

Refer to the erection drawings and shipping list (Bill of Materials) for the correct panel length for the starting run.

Inside closures at the base and/or eave (if supplied) must be installed as each panel run is erected.

See the following page for details of the required fastener spacing and layout.

NOTE: Wall panels that will be subjected to drifting snow must have sidelap sealant installed.



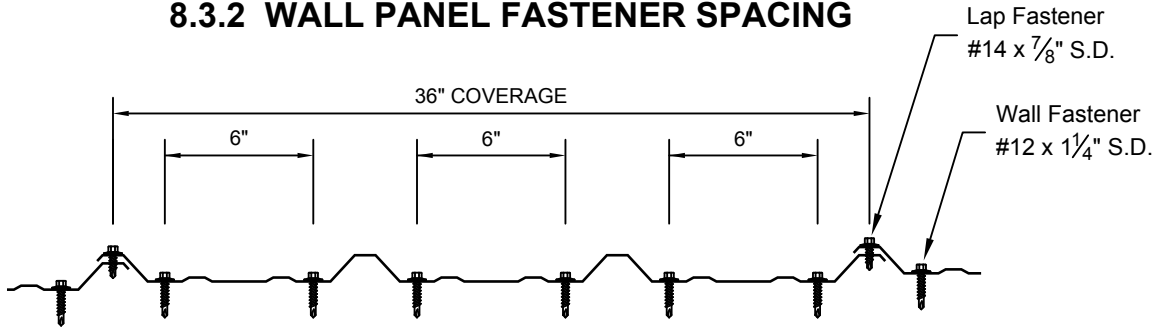
BigbeeRib II
Wall Installation Guide

FILENAME: S:\Detailing Manual\Bigbee Rib II Panels\BigbeeRibII Installation Guide\Wall Installation Guide.dwg

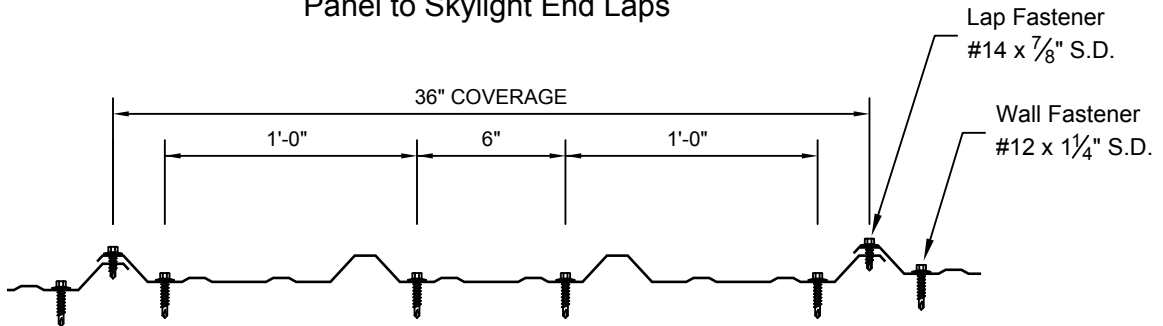
RELEASE DATE: 10.15.2007	
REVISION DATE:	
VERSION: 1.0	PAGE: 8-7

8.3 WALL PANEL INSTALLATION

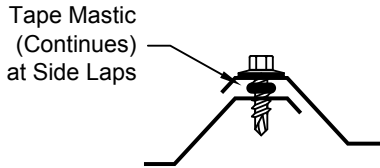
8.3.2 WALL PANEL FASTENER SPACING



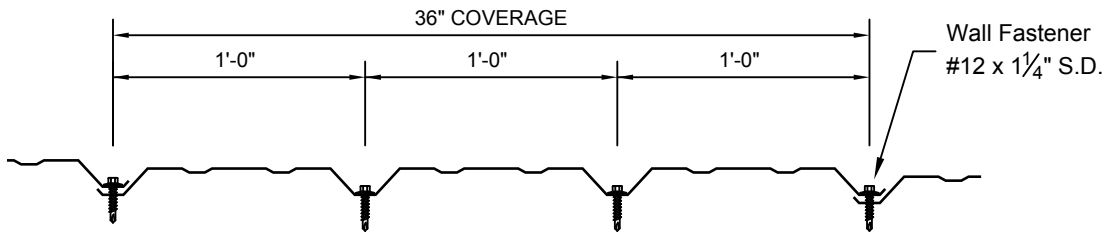
Fastener Spacing Required @
 Base and Eave Line
 Panel to Panel End Laps
 Panel to Skylight End Laps



Fastener Spacing Required @
 All Intermediate Girts
 WITHOUT Panel End Laps



NOTE:
 Wall panels that will be subjected
 to drifting snow must have
 sidelap sealant installed.



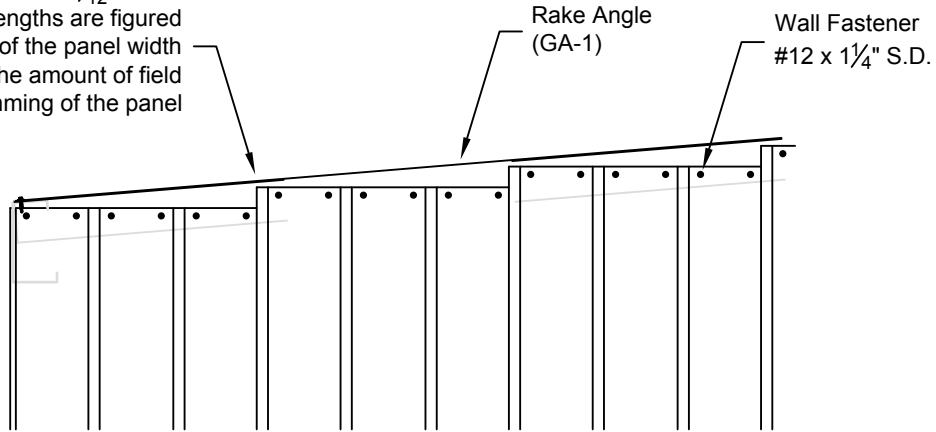
Fastener Spacing Required @
 "REVERSE RUN" BigbeeRib II Profile



8.3 WALL PANEL INSTALLATION

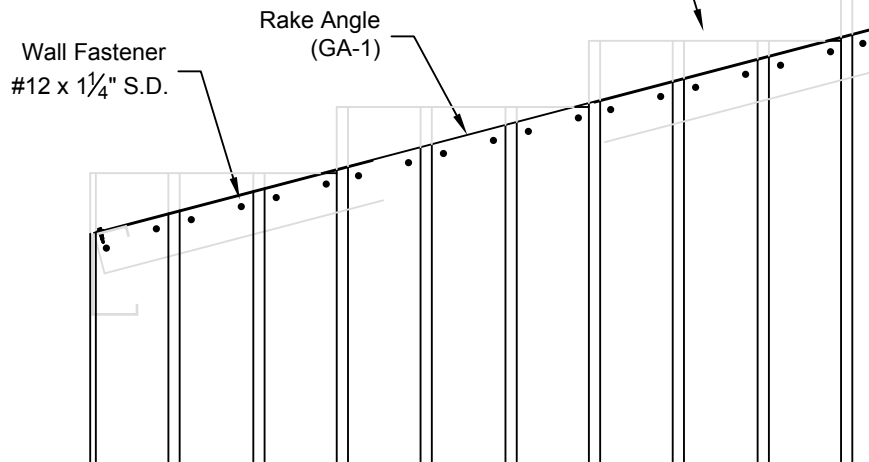
8.3.3 ENDWALL PANELS AT RAKE ANGLE

On roof bevels of $\frac{1}{12}$ or less endwall panel lengths are figured to the low side of the panel width to minimize the amount of field trimming of the panel



Roof Bevel of 1:12 or Less

On roof bevels greater than $\frac{1}{12}$ endwall panel lengths are figured to the high side of the panel width and must be field trimmed



Roof Bevel Greater Than 1:12



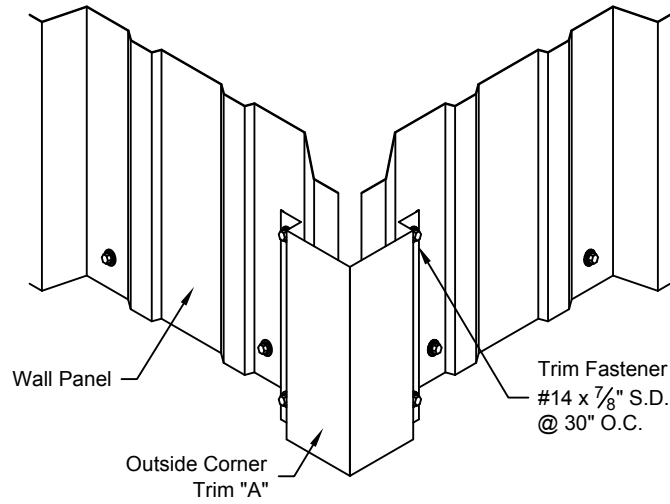
BigbeeRib II
Wall Installation Guide

FILENAME: S:\Detailing Manual\Bigbee Rib II Panels\BigbeeRibII Installation Guide\Wall Installation Guide.dwg

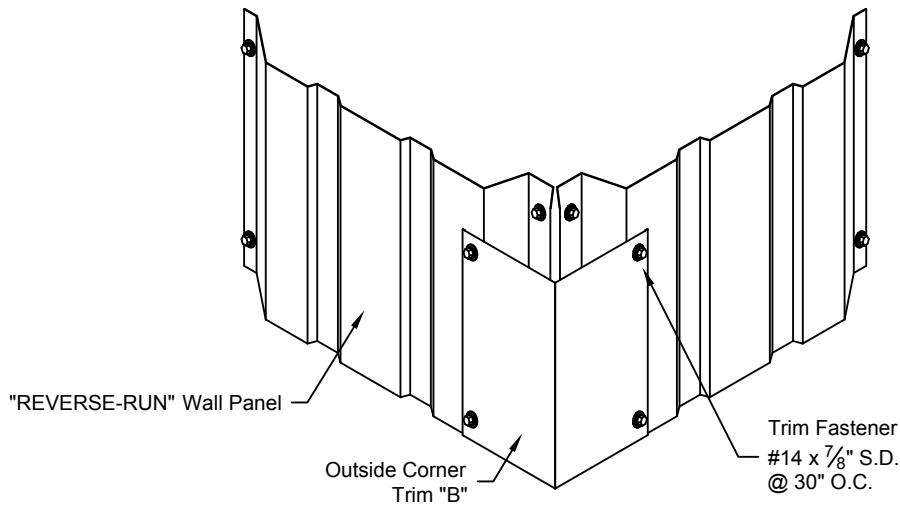
RELEASE DATE: 10.15.2007	
REVISION DATE:	
VERSION: 1.0	PAGE: 8-9

9.0 WALL PANEL TRIM INSTALLATION

9.1 CORNER TRIM INSTALLATION



CORNER DETAIL



CORNER DETAIL
@ "REVERSE-RUN" BigbeeRib II Panels

Correct installation of corner trim is not only critical for weather tightness, but also has a major bearing on the overall visual appearance of the building.

Special attention should be given to insure that all trim parts are installed plum and level. Make sure trims that require end laps provide proper water shed and apply sealant as outlined in this guide.



BigbeeRib II Wall Installation Guide

FILENAME: S:\Detailing Manual\Bigbee Rib II Panels\BigbeeRibII Installation Guide\Wall Installation Guide.dwg

RELEASE DATE: 10.15.2007

REVISION DATE:

VERSION:

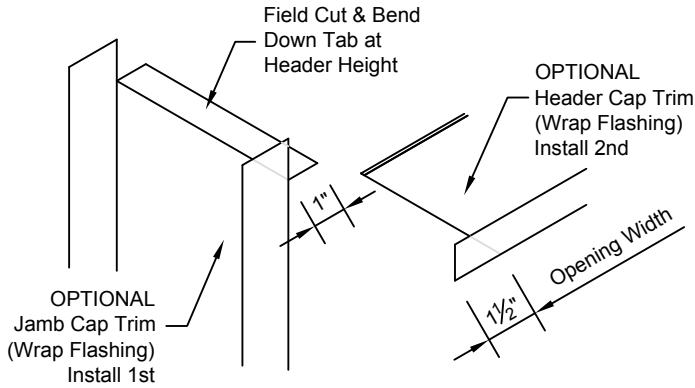
PAGE:

1.0

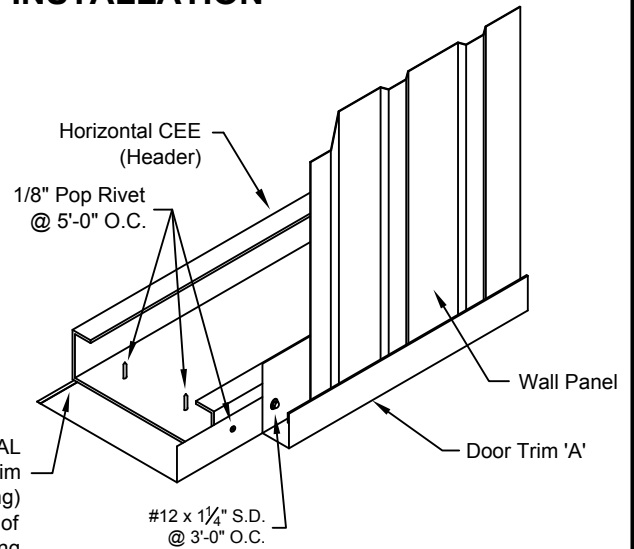
9-1

9.0 WALL PANEL TRIM INSTALLATION

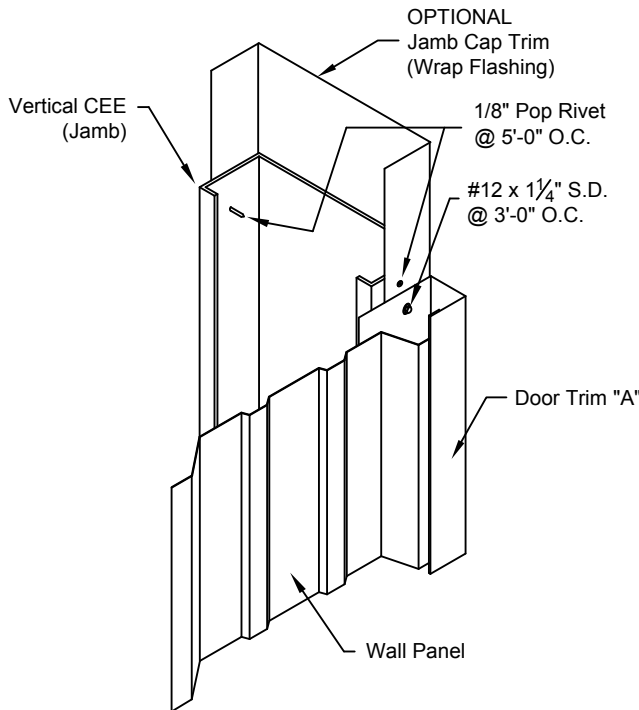
9.2 FRAMED OPENING TRIM INSTALLATION



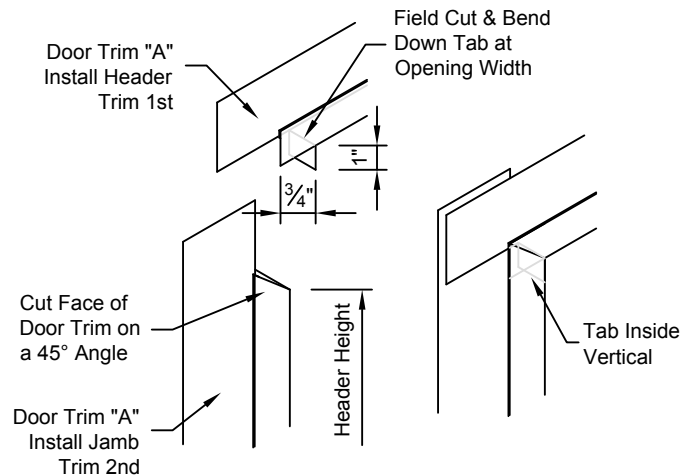
OPTIONAL CAP TRIM INSTALLATION
(Install 1st If Provided)



HEADER DETAIL OF OVERHEAD DOOR



JAMB DETAIL OF OVERHEAD DOOR



DOOR TRIM INSTALLATION
(Note: If Provided, Install Optional Cap Trim 1st)

Trim for framed openings such as overhead doors, walk doors, fixed glass windows, etc. is typically installed prior to erecting the wall panels. Correct installation of trim around wall openings is not only critical for weather tightness, but also has a major bearing on the overall visual appearance of the building.

Special attention should be given to insure that all trim parts are installed plum and level. Make sure trims that require end laps provide proper water shed and apply sealant as outlined in this guide.



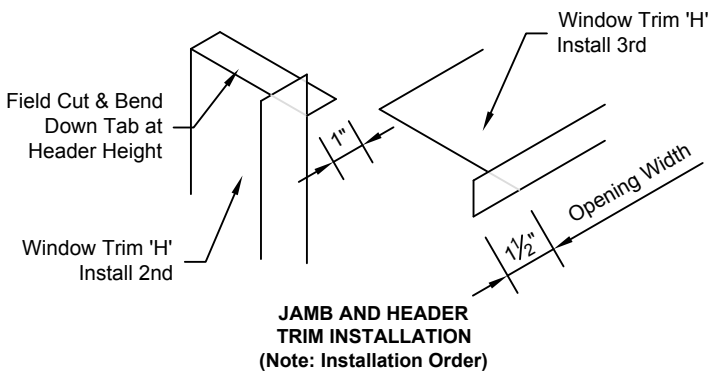
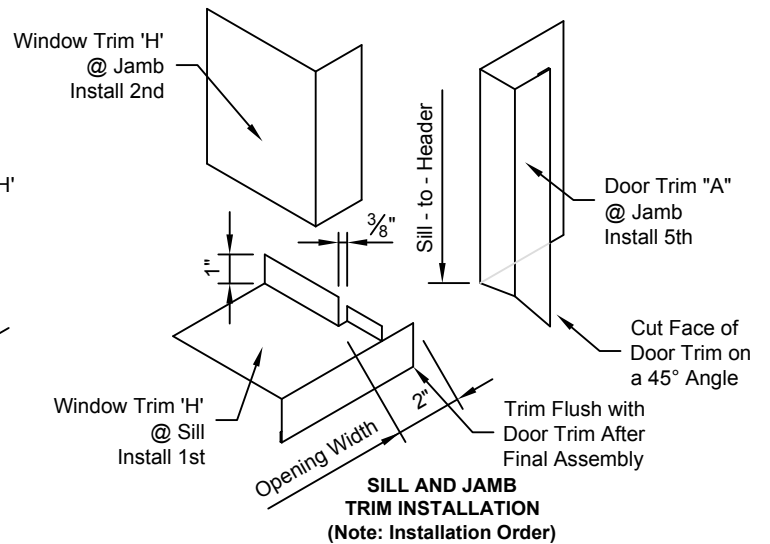
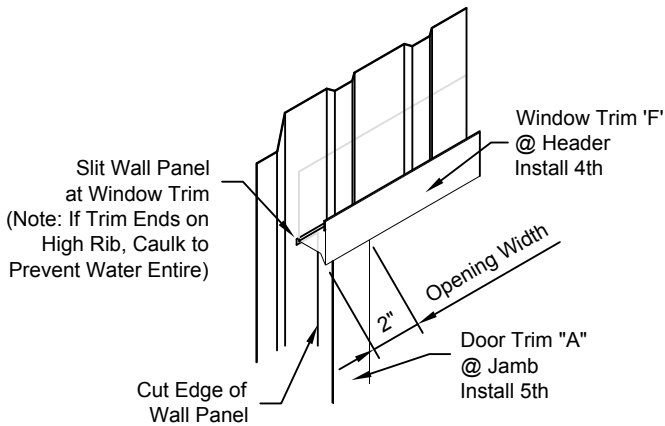
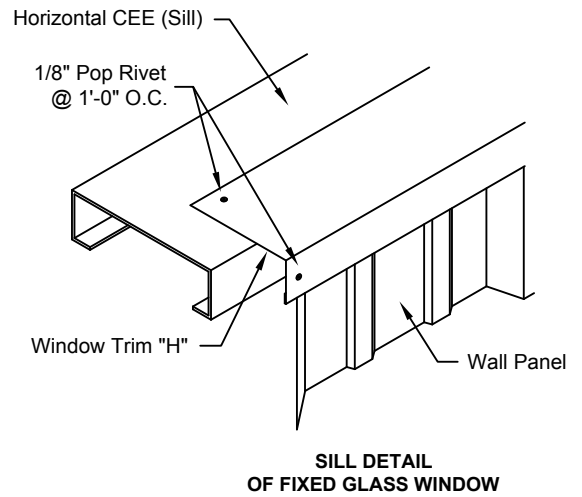
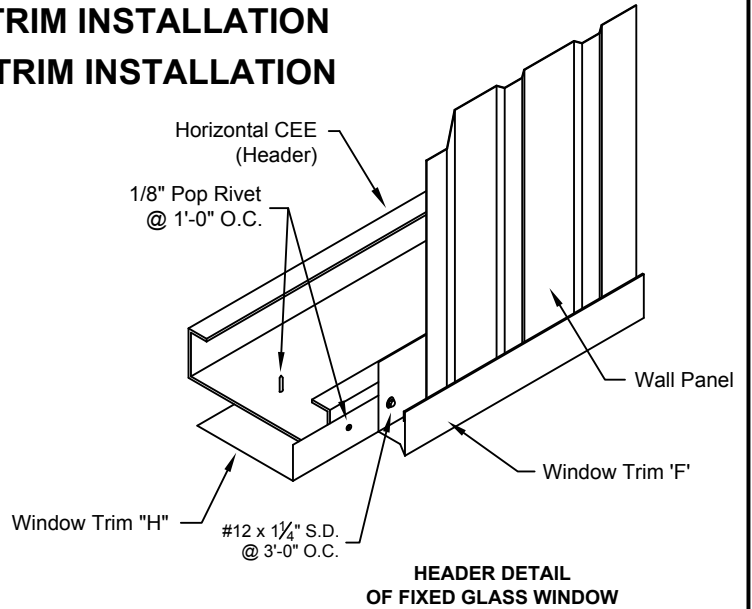
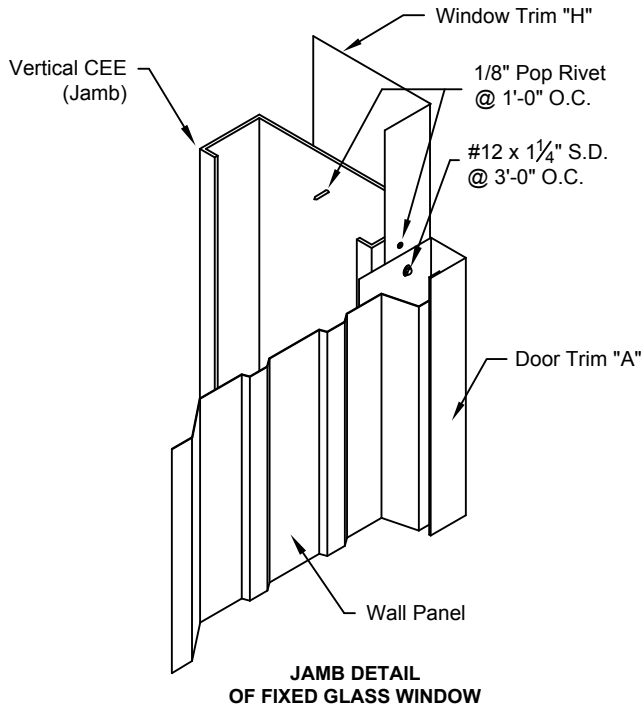
BigbeeRib II Wall Installation Guide

FILENAME: S:\Detailing Manual\Bigbee Rib II Panels\BigbeeRibII Installation Guide\Wall Installation Guide.dwg

RELEASE DATE: 10.15.2007	
REVISION DATE:	
VERSION: 1.0	PAGE: 9-2

9.0 WALL PANEL TRIM INSTALLATION

9.3 FIXED GLASS TRIM INSTALLATION



BigbeeRib II Wall Installation Guide

FILENAME: S:\Detailing Manual\Bigbee Rib II Panels\BigbeeRibII Installation Guide\Wall Installation Guide.dwg

RELEASE DATE: 10.15.2007

REVISION DATE:

VERSION: PAGE:

1.0

9-3