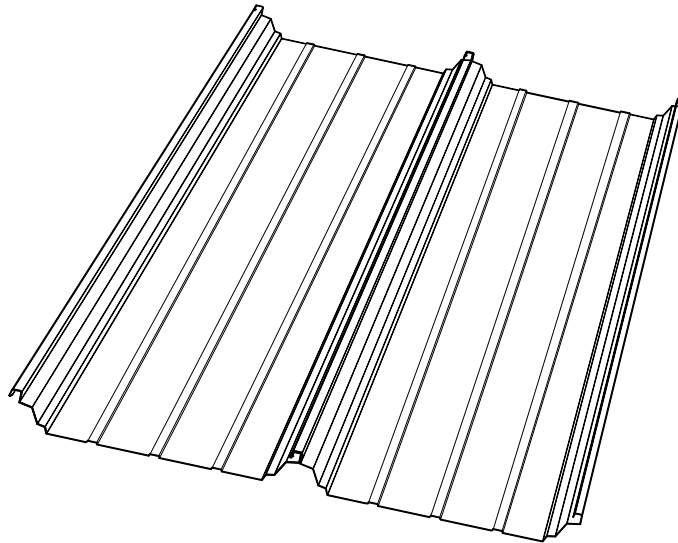




BIGBEE STEEL BUILDINGS, INC.  
2705 Avalon Avenue  
Muscle Shoals, AL 35661

BigbeeLok-324  
Standing Seam Roof System  
ARCHITECTURAL DETAILS



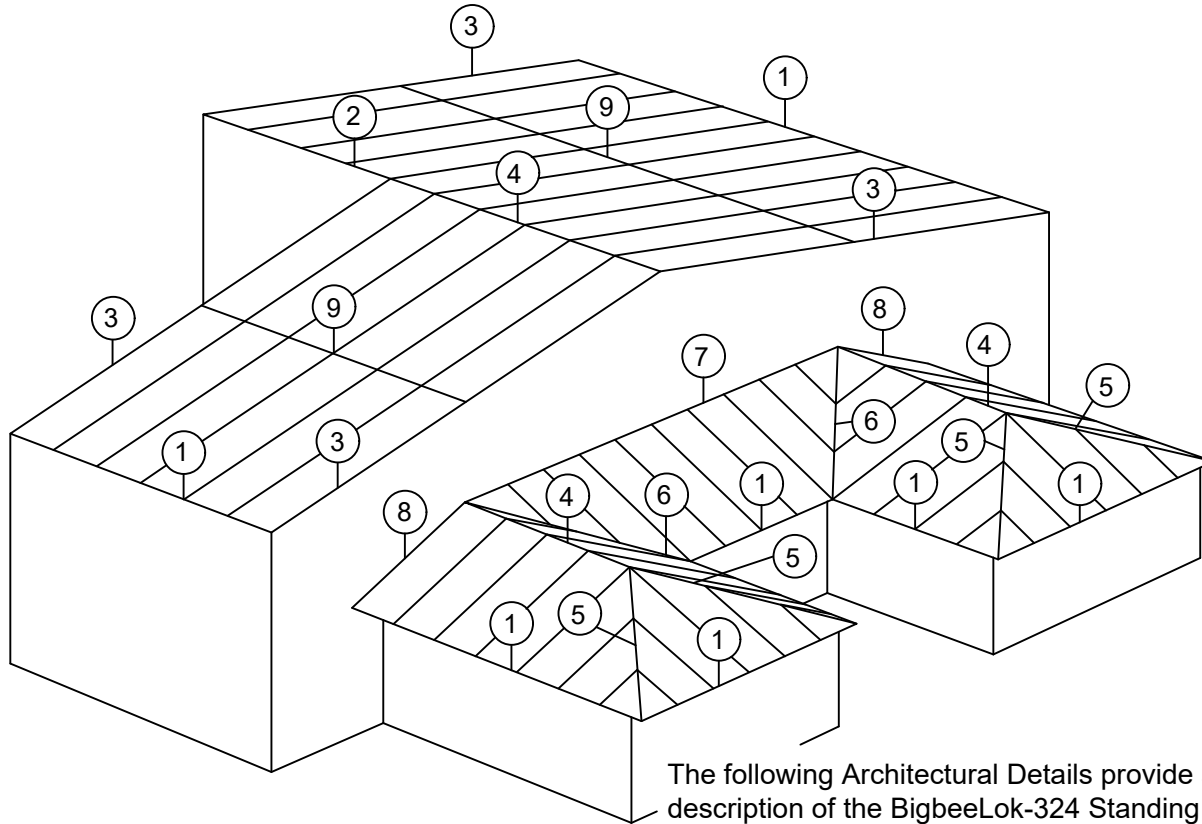
Phone: 256-383-7322 or 800-633-3378  
Fax: 256-381-9669  
Web: [www.bigbee.com](http://www.bigbee.com)

Revised: Feb 23, 2022



## Index

Details Index.....	1
Detail Locator.....	2
Roof Panel Sections.....	3
Eave Section - Eave Trim.....	4
Eave Section - Eave Gutter.....	5
Roof Panel Endlap Section.....	6
Ridge Section.....	7
High Eave Section - High Eave Trim.....	8
High Eave Section - Transition Flashing.....	9
Starting Rake Section - Rake Trim.....	10
Finish Rake Section - Rake Trim.....	11
Rake Section - Transition Flashing.....	12
Hip Section.....	13
Valley Section.....	14
Valley Gutter Section.....	15
Interior Eave Gutter Section.....	16
Roof Sections - Fiberglass Insulation.....	17
Roof Sections - Fiberglass Insulation With Thermal Spacers.....	18
Roof Sections - Rigid Foam Insulation.....	19



The following Architectural Details provide a graphic description of the BigbeeLok-324 Standing Seam Roof System and its standard applications. Use these details to determine the applications required for your specific project.

\* Oil-Canning is a natural occurrence in metal panels that does not affect the finish or structural integrity of the panel and is there for NOT a cause for rejection.

DETAIL LEGEND	
①	.....EAVE
②	.....HIGH EAVE
③	.....RAKE
④	.....RIDGE
⑤	.....HIP
⑥	.....VALLEY
⑦	.....HIGH EAVE TRANSITION
⑧	.....RAKE TRANSITION
⑨	.....ROOF PANEL ENDLAP

These standard application details are based on typical and proven designs utilizing gasket type sealed assemblies to provide more positive weather resistance over a broad range of conditions, including low pitched roofs. It is the project designer's responsibility to assure that the specified application is appropriate for the roof's intended use.

These details show generic roof structural members, roof insulation and adjacent construction for simplicity of presentation. These details may be modified to accommodate clarification of structural members, roof insulation, trim profile, tie-in to adjacent construction etc.

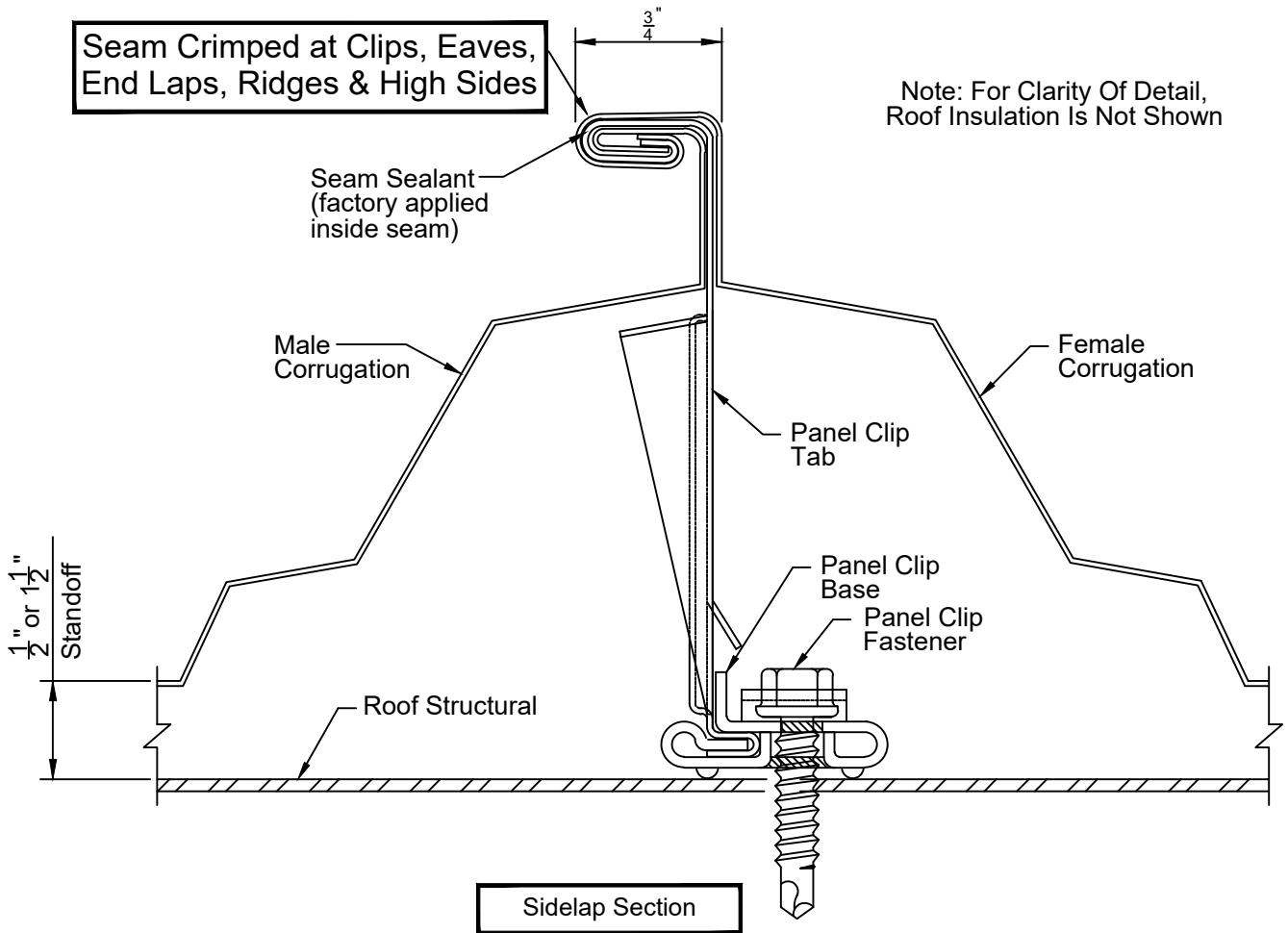
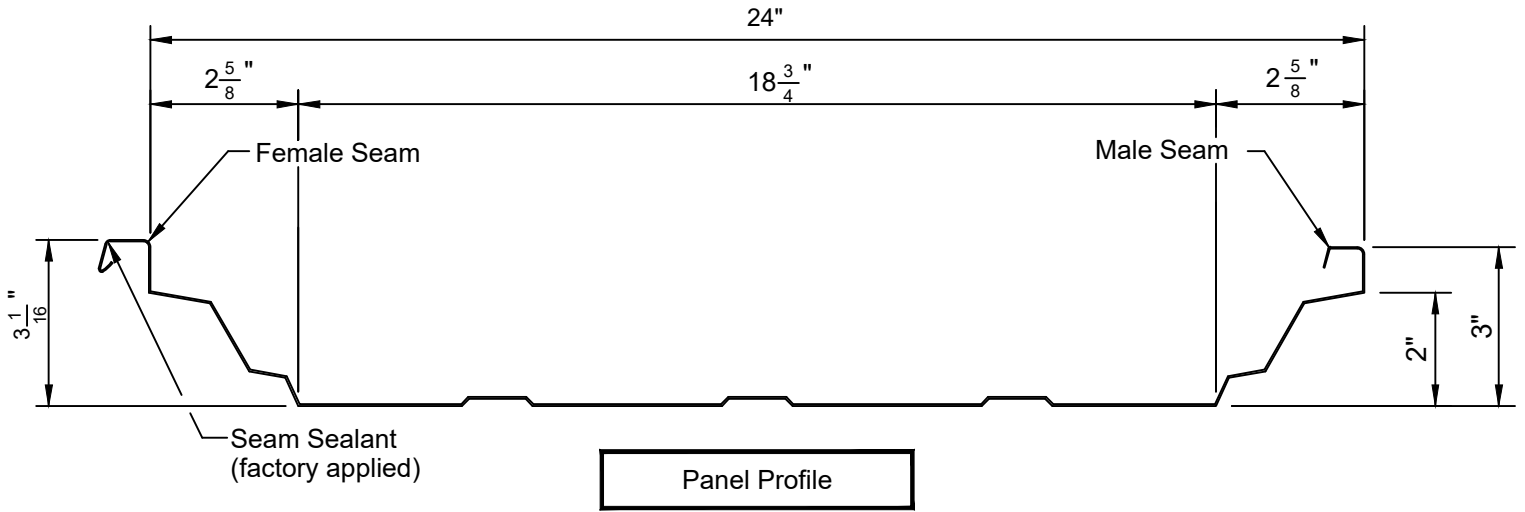
The basic function of the details, such as roof panel assembly and fit-up to closures and flashing, sealing and attachments etc. cannot be modified. All applications, not in accordance to these details, require approval by the Bigbee Steel Buildings, Inc. Customer Service Department.

In case of conflict between these Architectural details and the project's erection drawings, the erection drawings will take precedence.



# BigbeeLOK-324 Roof System Architectural Details

PAGE: 3.0  
REVISION: Feb 23, 2022

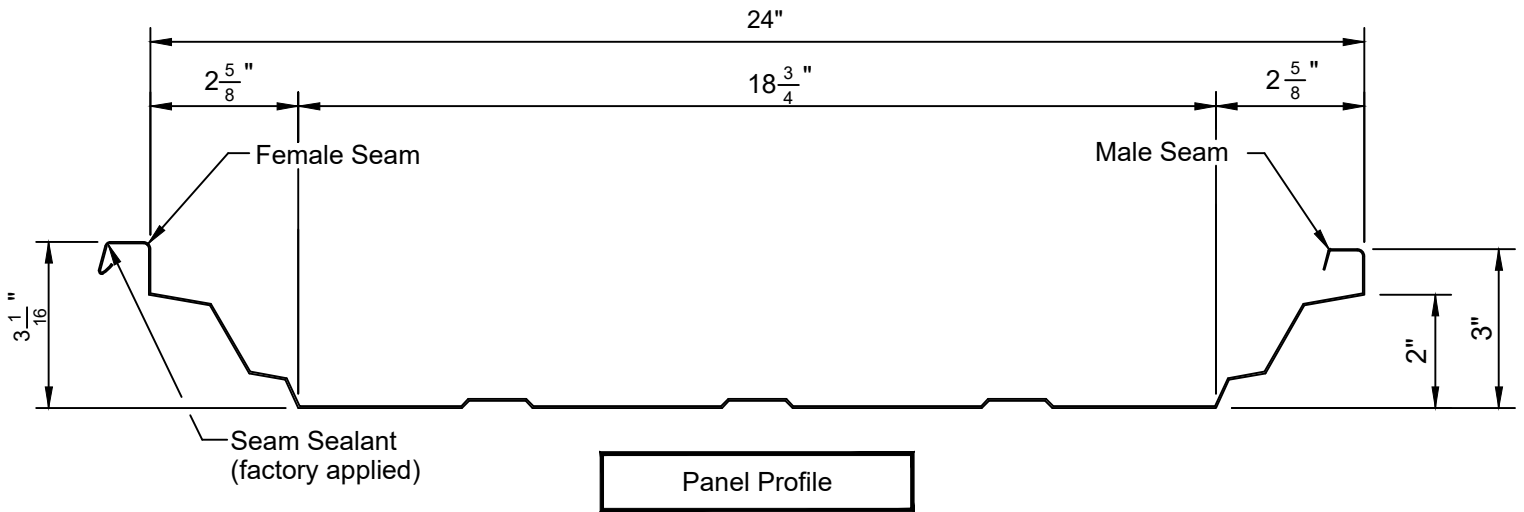


Roof Panel Sections-RollLok™ Seam



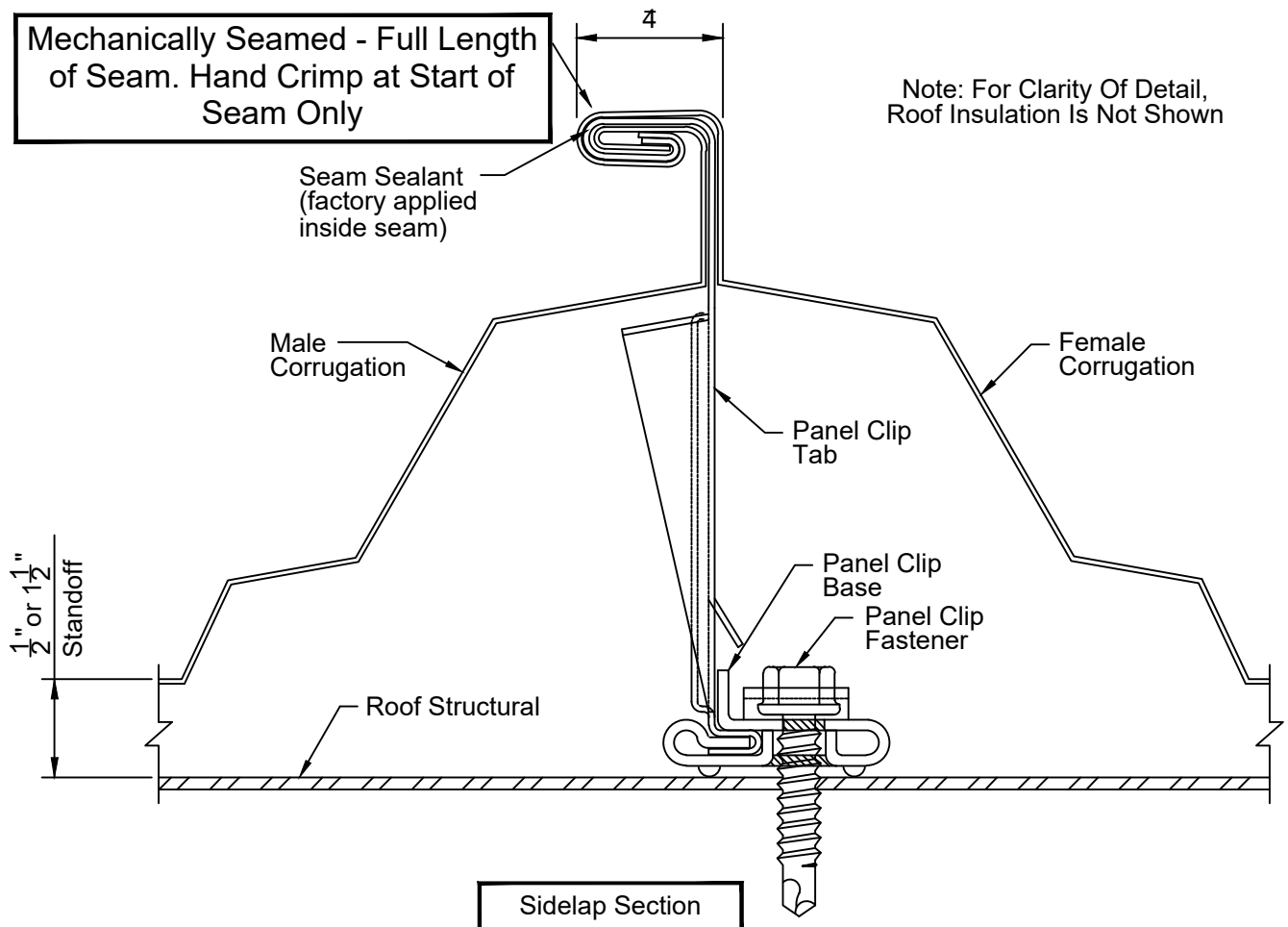
# BigbeeLOK-324 Roof System Architectural Details

PAGE: 3.1  
REVISION: Feb 23, 2022



Mechanically Seamed - Full Length of Seam. Hand Crimp at Start of Seam Only

Note: For Clarity Of Detail, Roof Insulation Is Not Shown

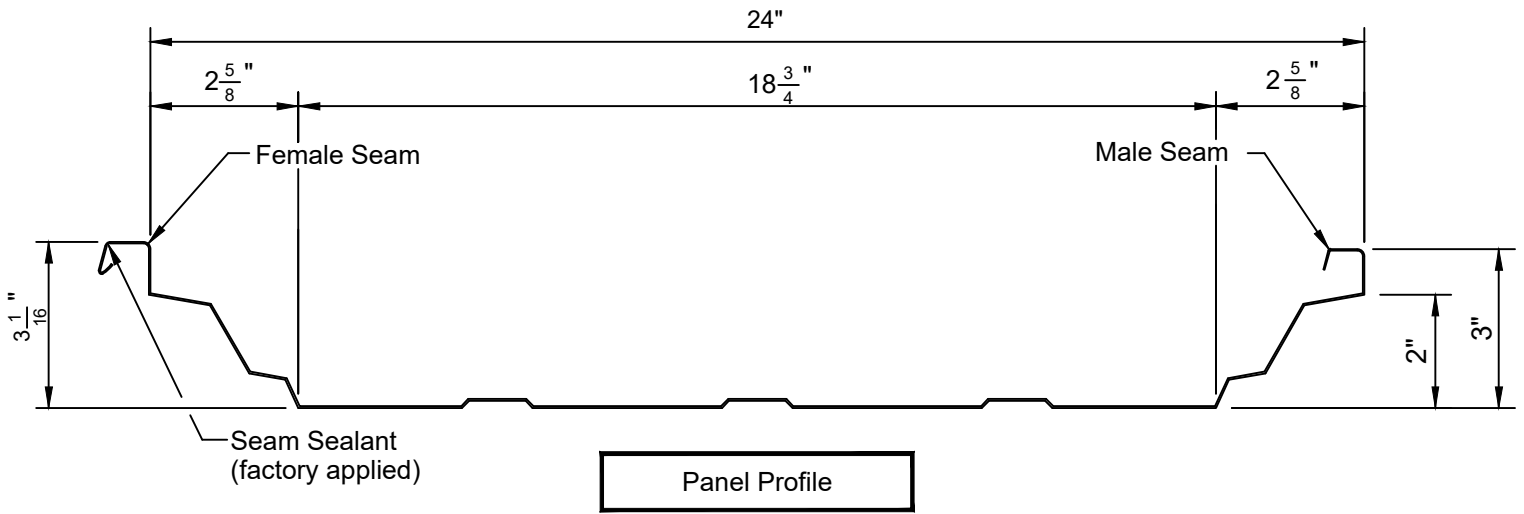


## Roof Panel Sections-TripleLok™ Seam



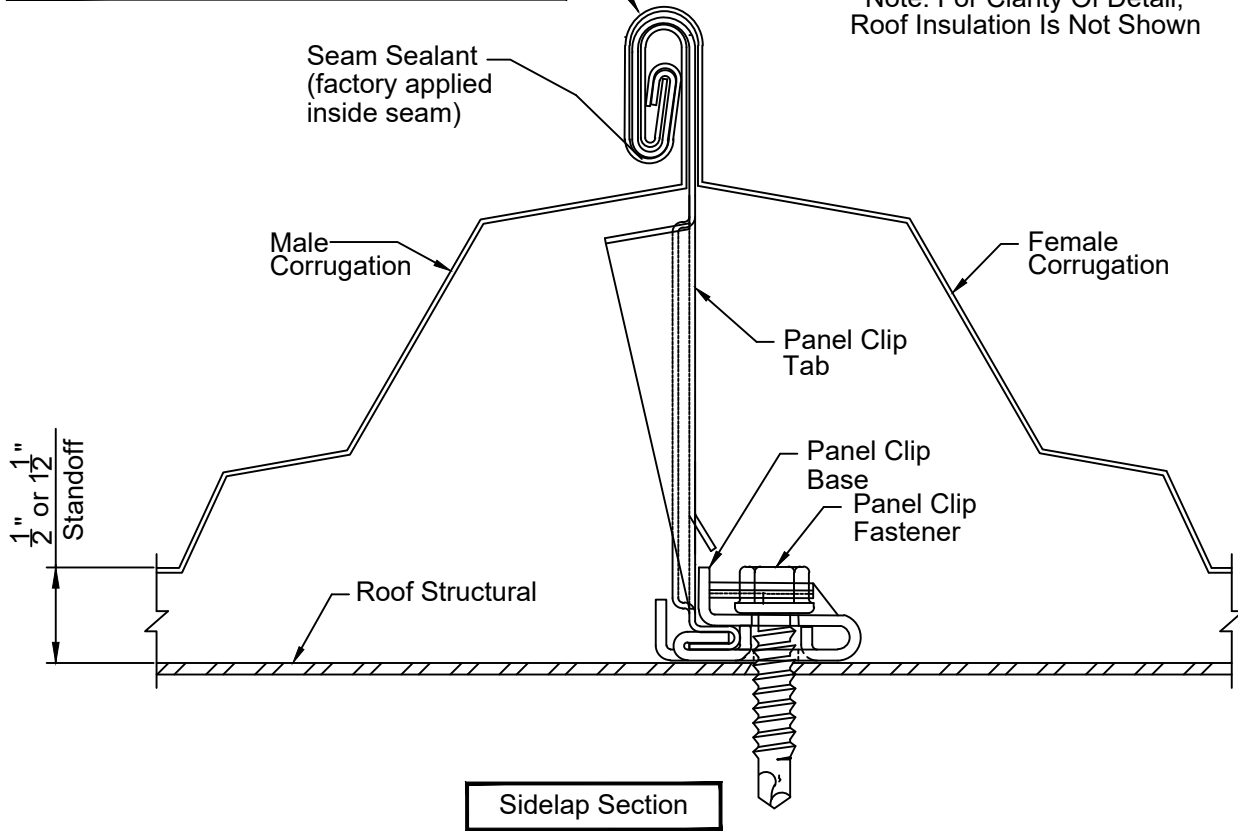
# BigbeeLOK-324 Roof System Architectural Details

PAGE: 3.2  
REVISION: Feb 23, 2022



Mechanically Seamed - Full Length of Seam. Hand Crimp at Start of Seam Only

Note: For Clarity Of Detail, Roof Insulation Is Not Shown



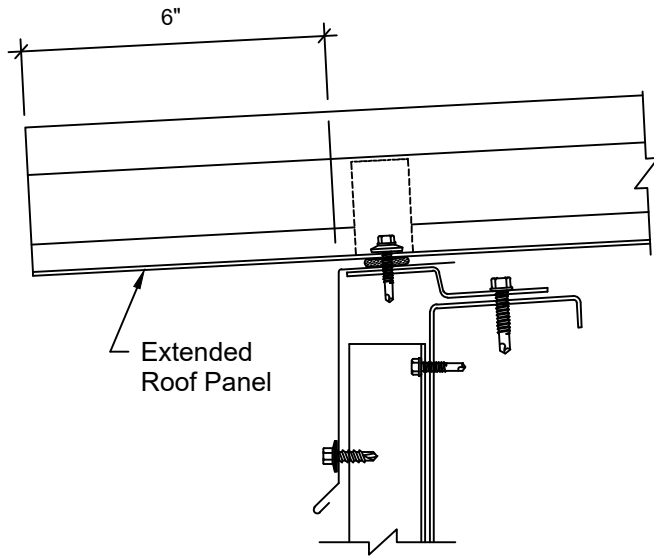
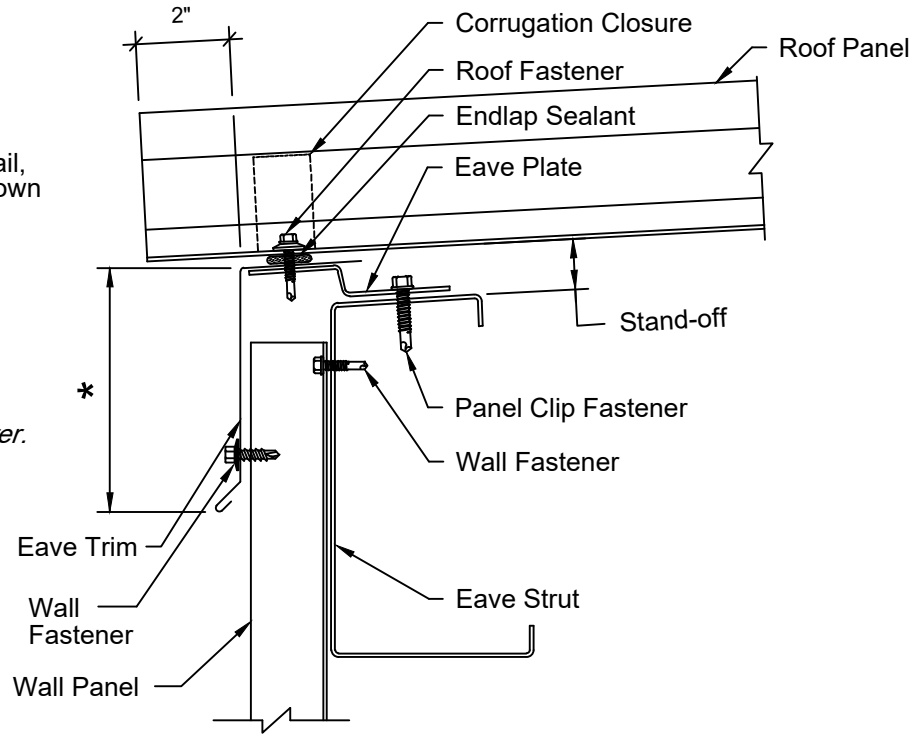
Roof Panel Sections-QuadLok™ Seam



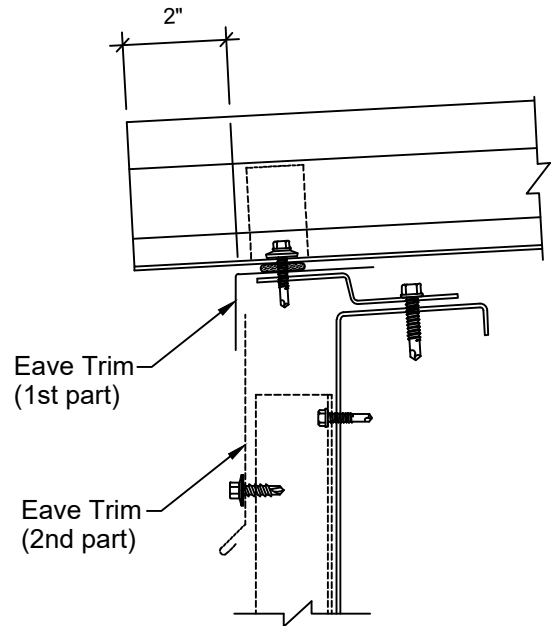
# BigbeeLOK-324 Roof System Architectural Details

Note: For Clarity Of Detail,  
Roof Insulation Is Not Shown

\* *Determined By Manufacturer.*



Alternate Extended Roof



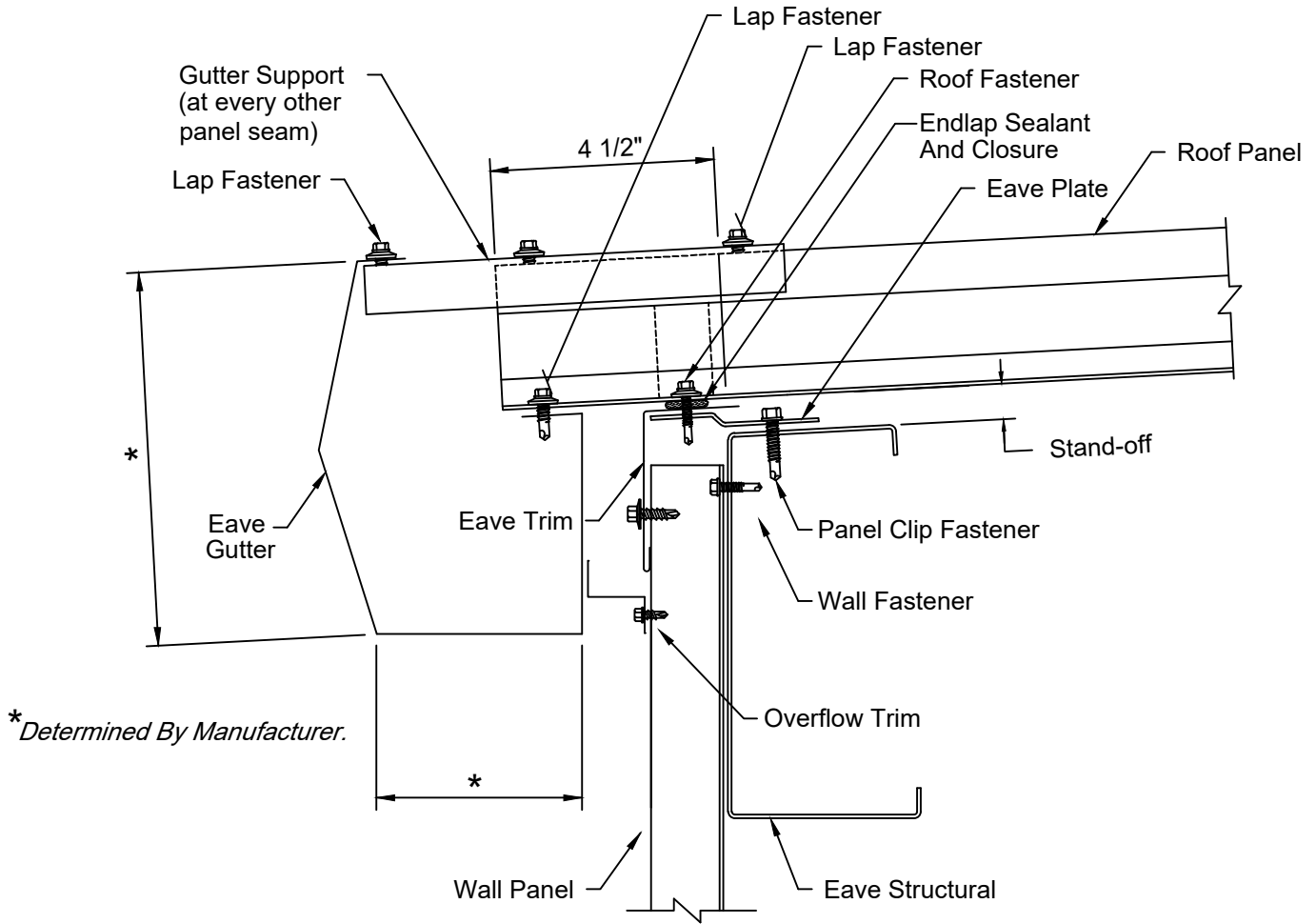
Alternate  
Two Part Eave Trim (To Allow  
Installation Of Wall Panel After  
Roof Is In Place)

## Eave Section - Eave Trim



# BigbeeLOK-324 Roof System Architectural Details

Note: For Clarity Of Detail,  
Roof Insulation Is Not Shown



\*Determined By Manufacturer.

**CAUTION**  
This style Gutter Is Not Recommended  
For Areas That Experience Snow,  
Ice, Extreme Rainfall Or Damming Conditions

## Eave Section - Eave Gutter

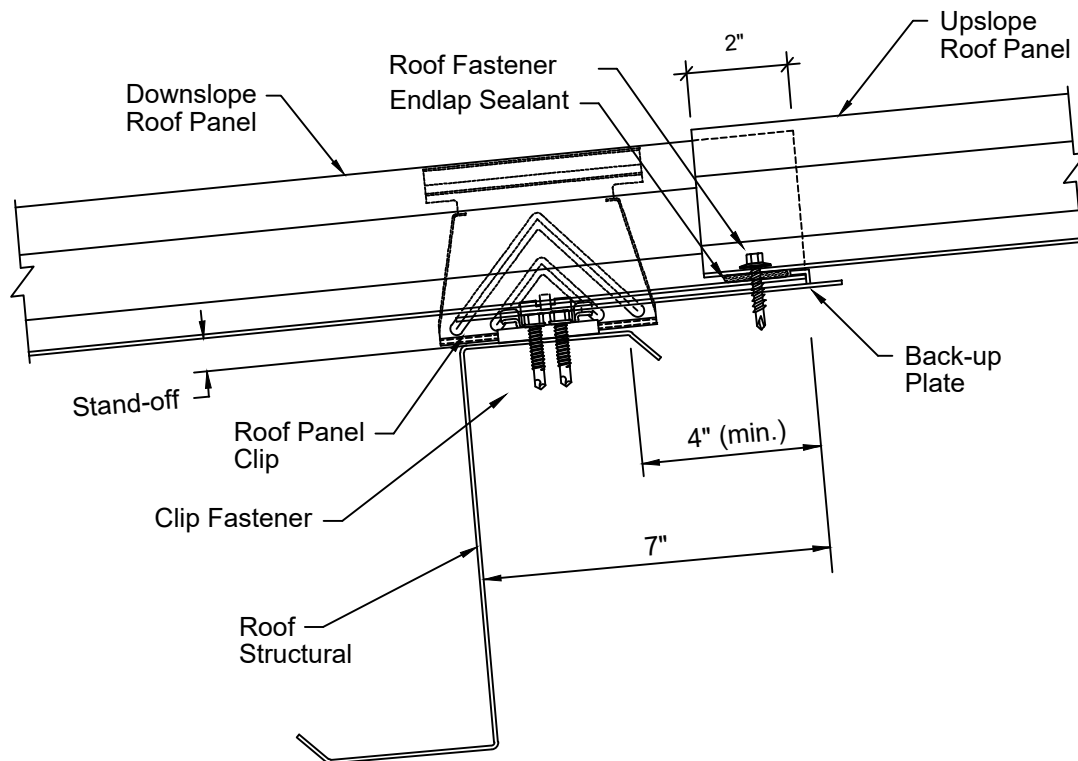




# BigbeeLOK-324 Roof System Architectural Details

PAGE: 6  
REVISION: Feb 23, 2022

Note: For Clarity Of Detail,  
Roof Insulation Is Not Shown



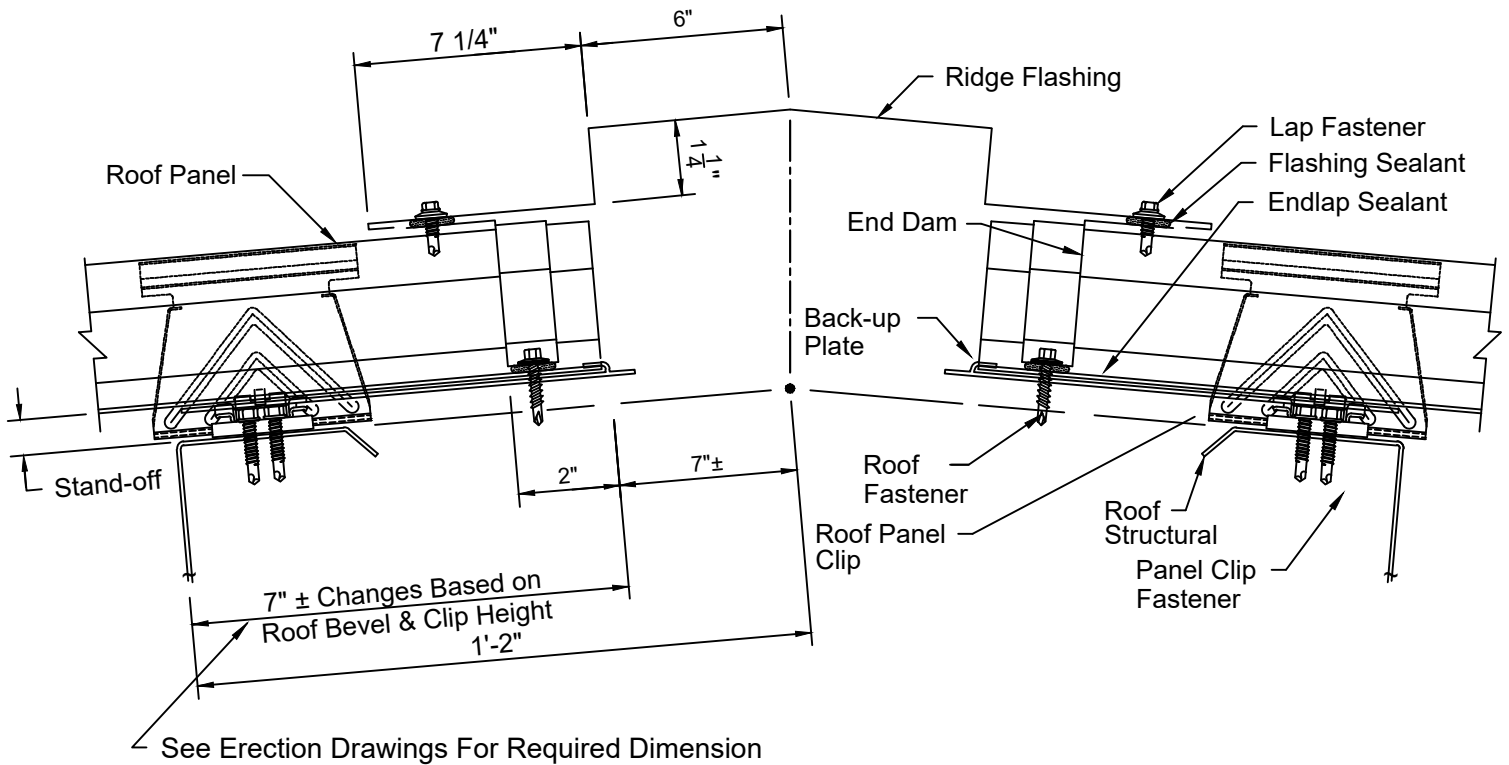
Roof Panel Endlap Section



# BigbeeLOK-324 Roof System Architectural Details

PAGE: 7  
REVISION: Feb 23, 2022

Note: For Clarity Of Detail,  
Roof Insulation Is Not Shown

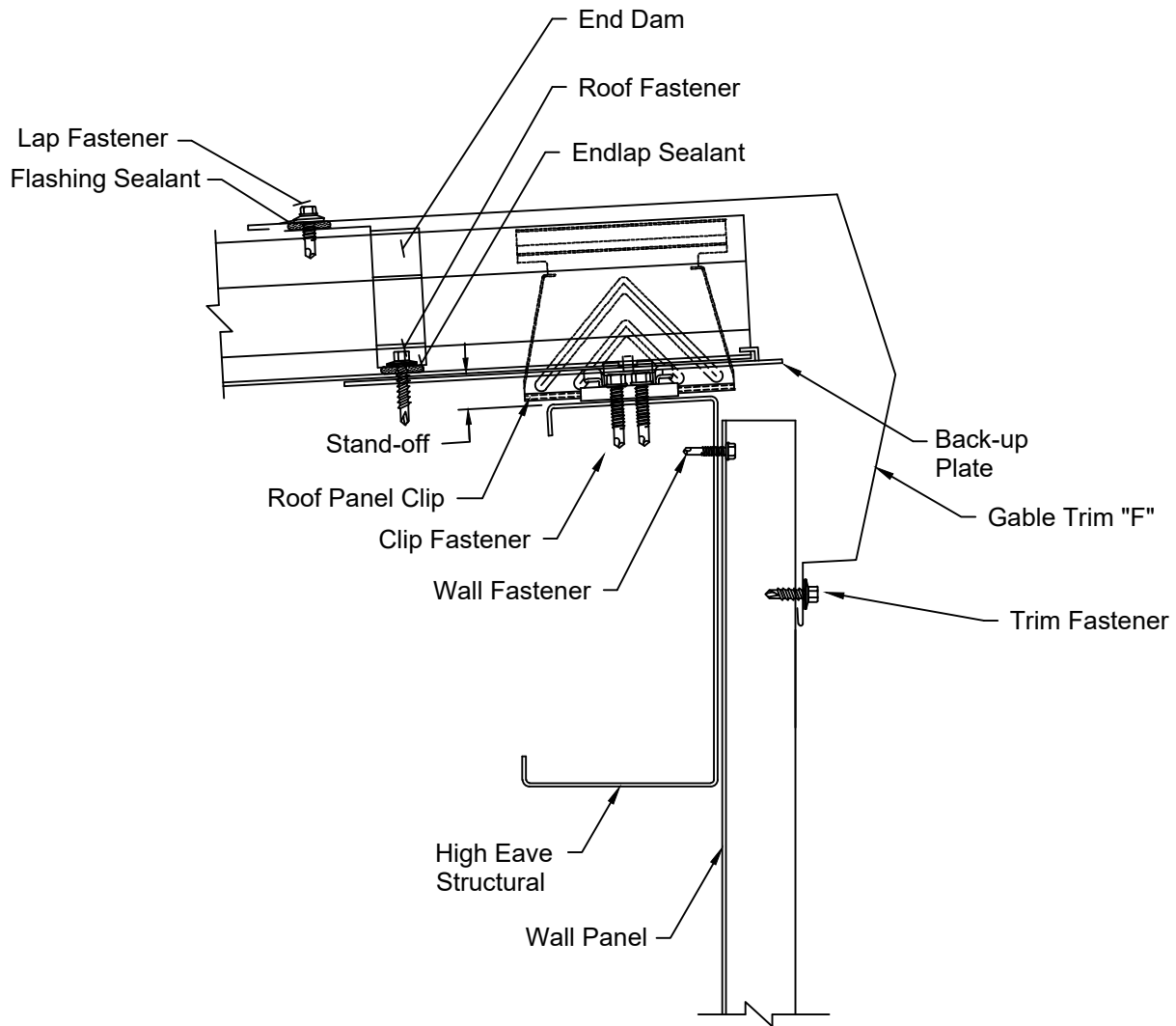


Ridge Section



# BigbeeLok-324 Roof System Architectural Details

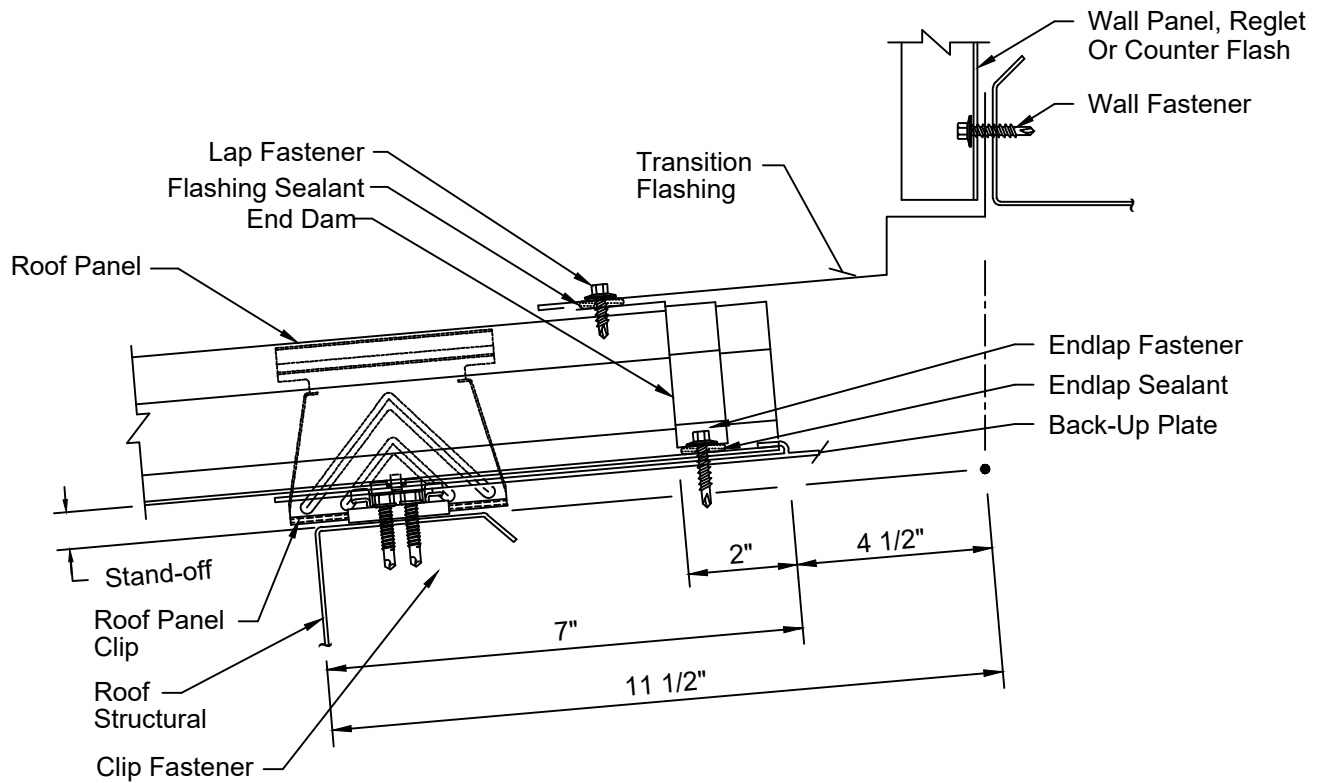
Note: For Clarity Of Detail,  
Roof Insulation Is Not Shown



High Eave Section - High Eave Trim



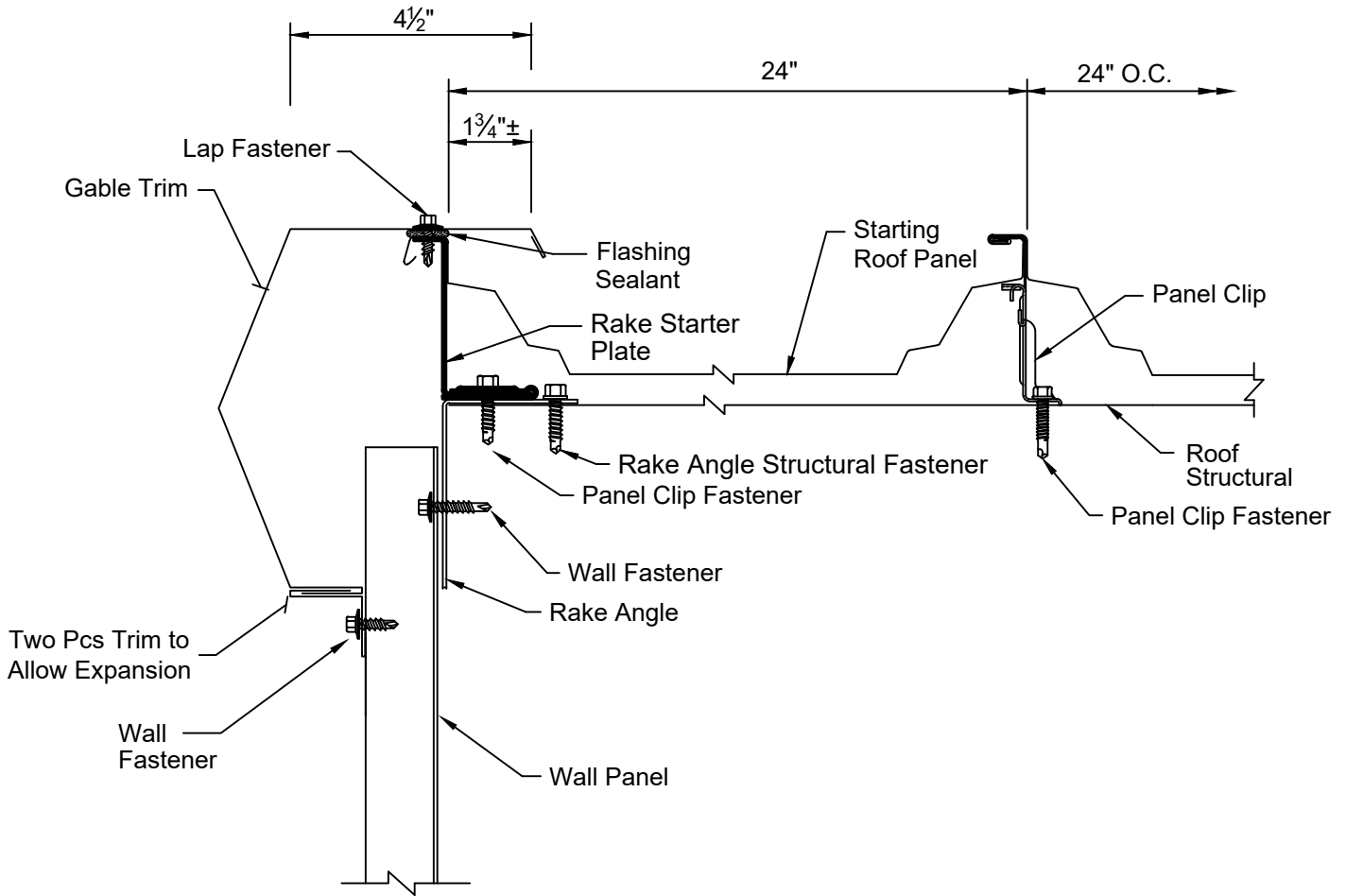
Note: For Clarity Of Detail,  
Roof Insulation Is Not Shown



High Eave Section - Transition Flashing



# BigbeeLok-324 Roof System Architectural Details

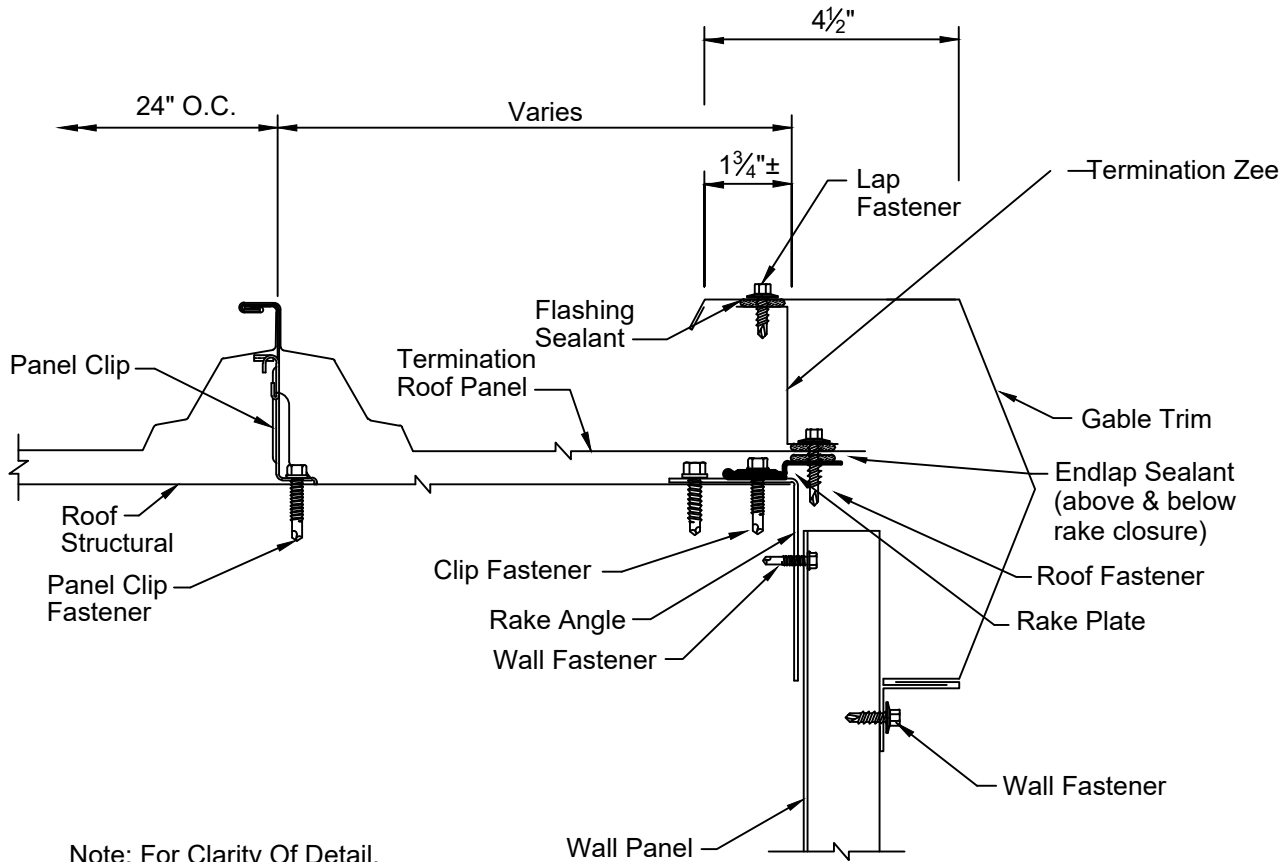


Note: For Clarity Of Detail,  
Roof Insulation Is Not Shown

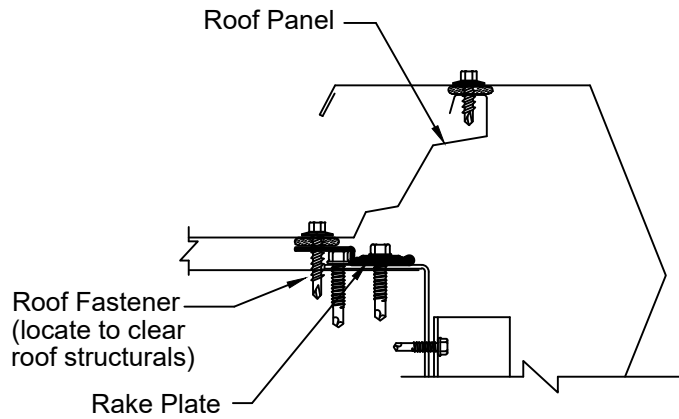
Starting Rake Section - Rake Trim



# BigbeeLok-324 Roof System Architectural Details



Note: For Clarity Of Detail,  
Roof Insulation Is Not Shown

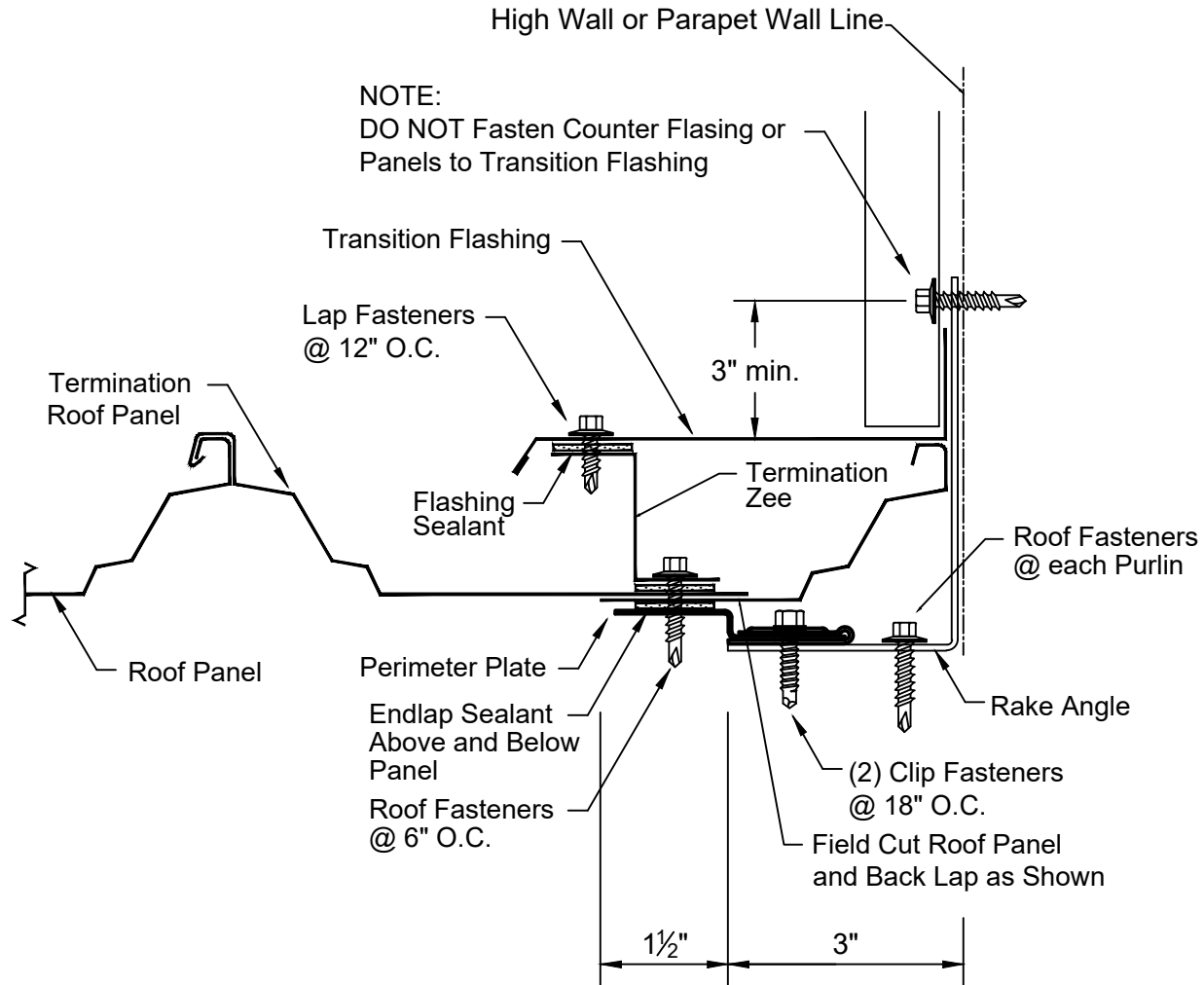


Alternate  
Attachment To Full Width Roof Panel

## Finish Rake Section - Rake Trim



# BigbeeLok-324 Roof System Architectural Details

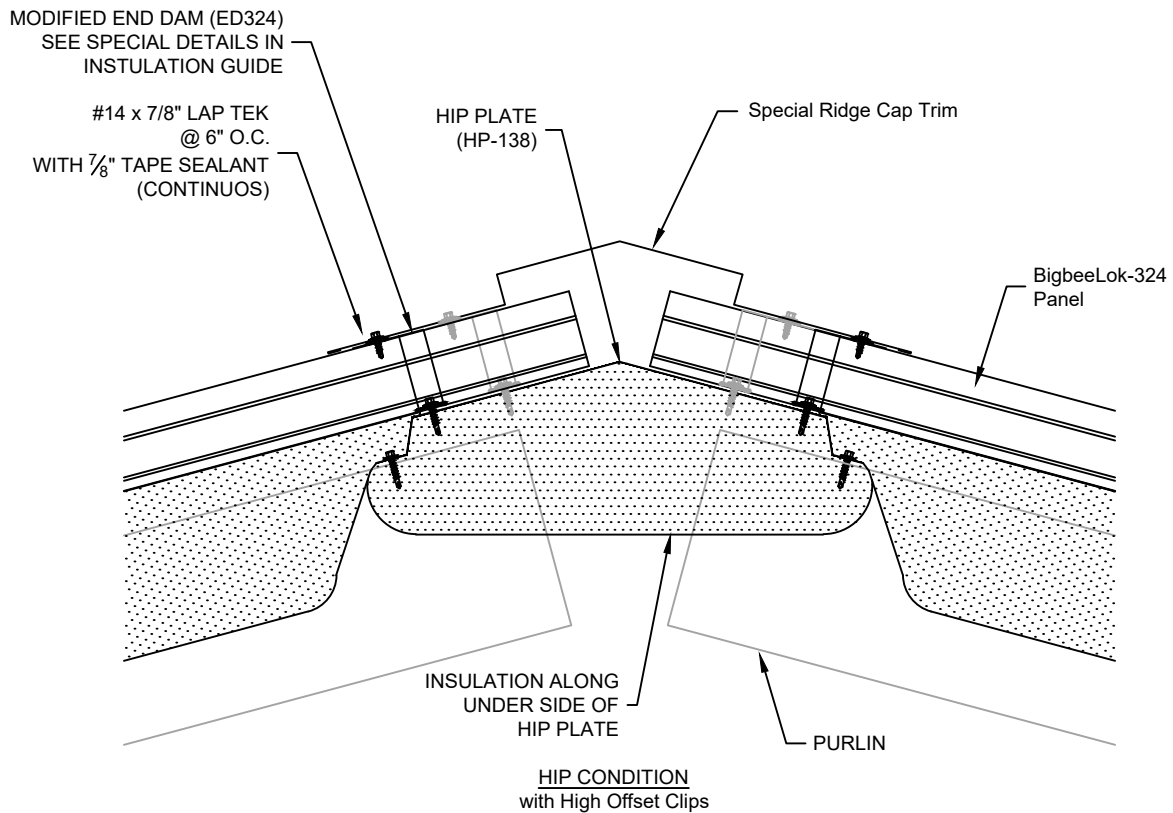
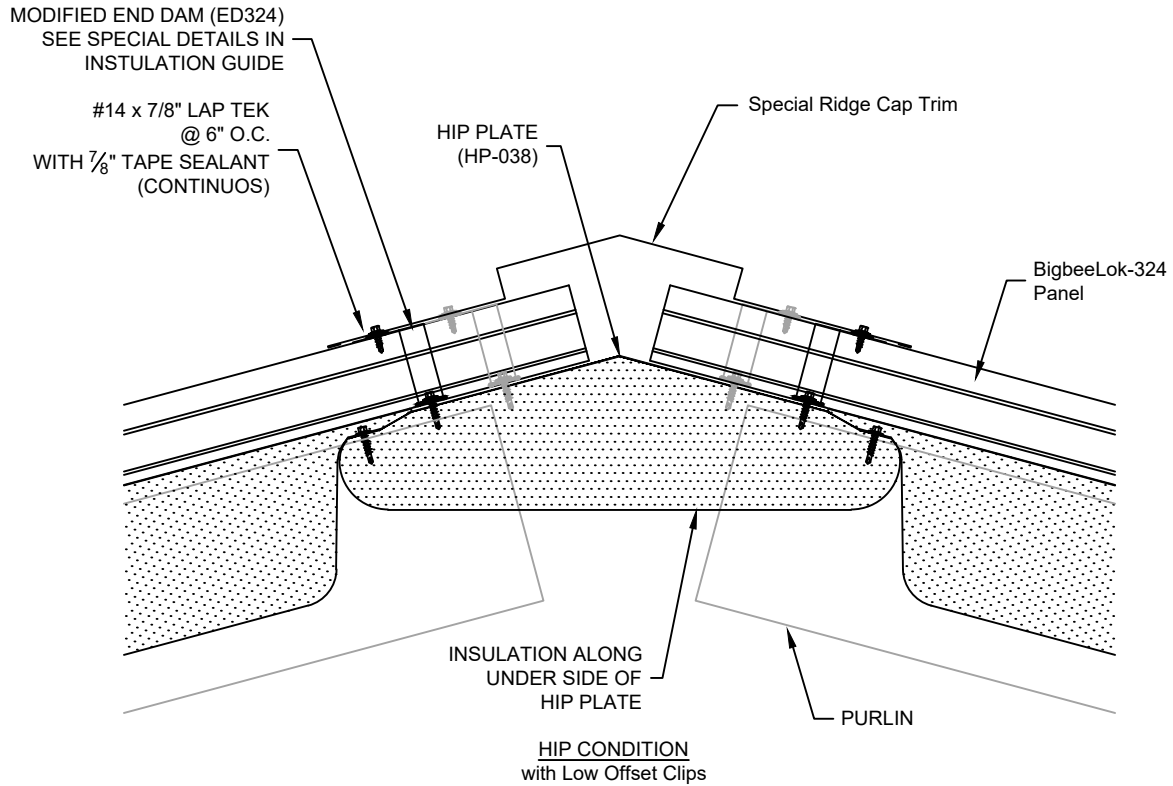


Notes: For Clarity Of Detail,  
Roof Insulation Is Not Shown.

Rake Section - Transition Flashing



# BigbeeLok-324 Roof System Architectural Details

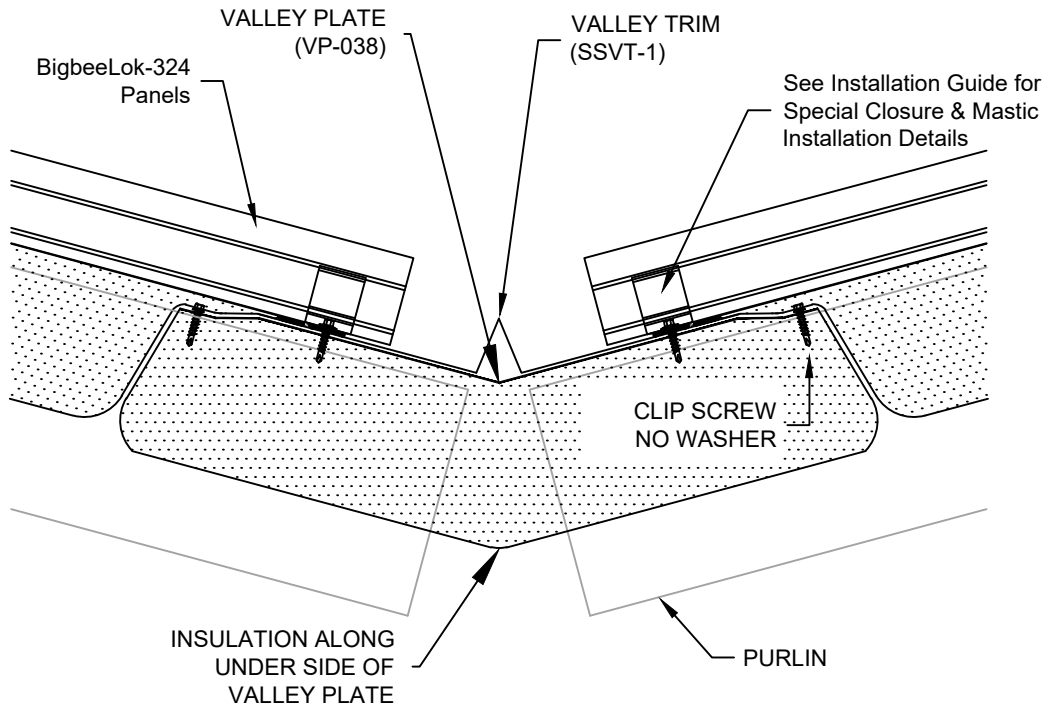


## Hip Section

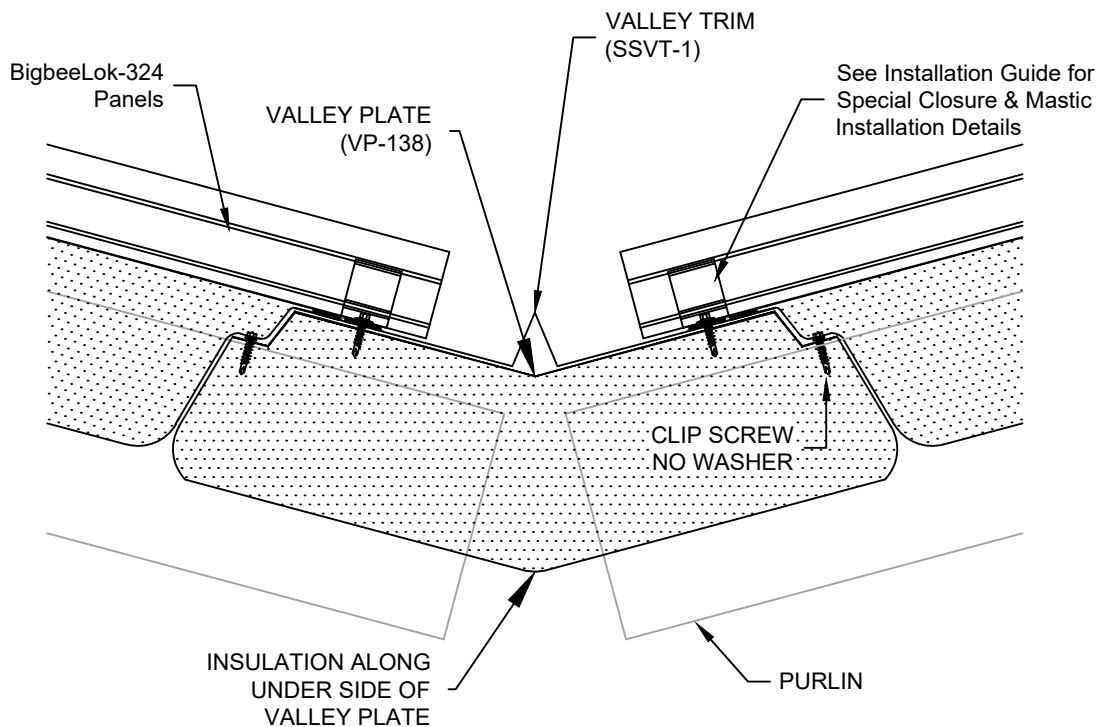




# BigbeeLok-324 Roof System Architectural Details



VALLEY CONDITION  
with Low Offset Clips

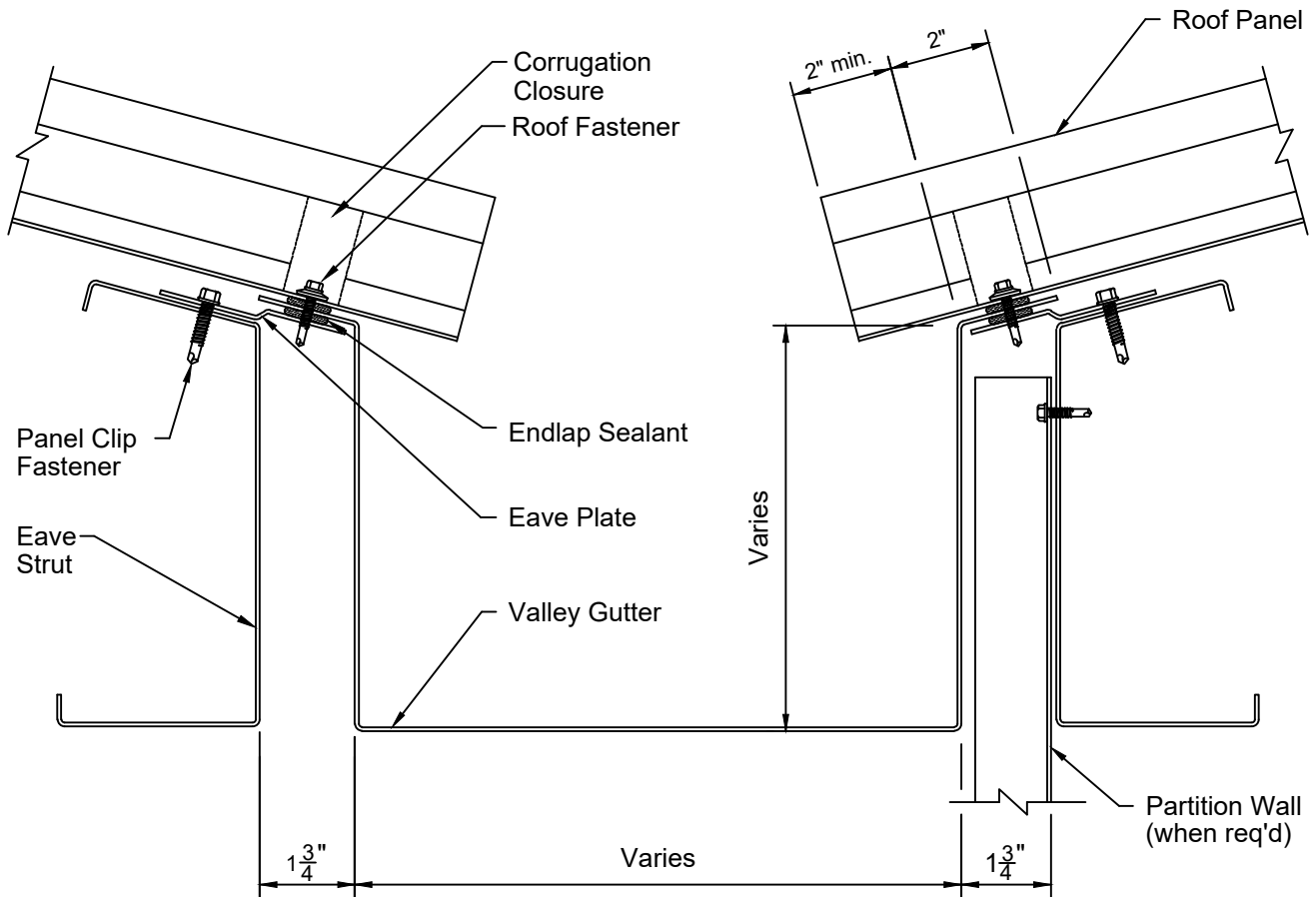


VALLEY CONDITION  
with High Offset Clips

## Valley Section



Note: For Clarity Of Detail,  
Roof Insulation Is Not Shown

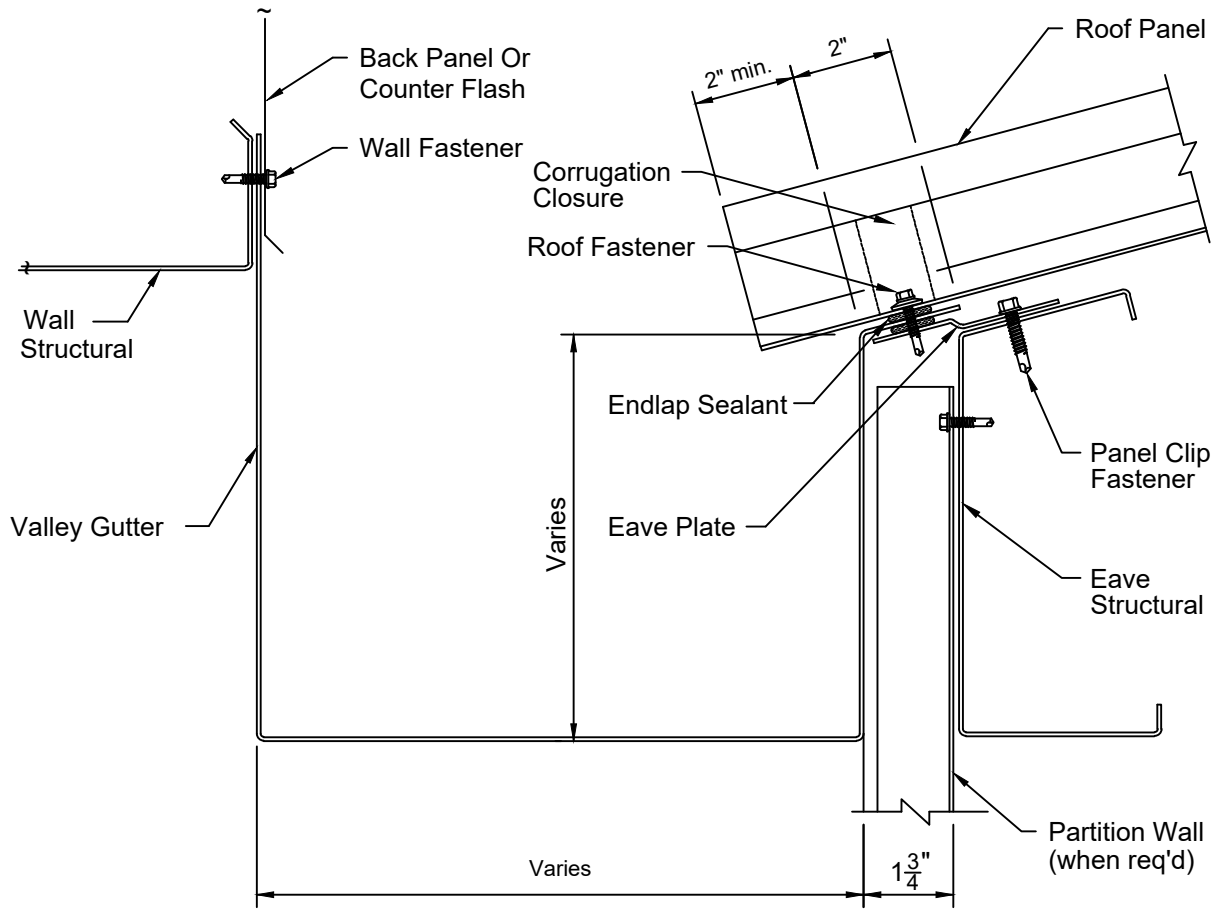


**CAUTION**  
Interior Gutter Must Be  
Provided With Protection From  
Corrosion, Icing, Damming &  
Interior Condensation

Valley Gutter Section



Note: For Clarity Of Detail,  
Roof Insulation Is Not Shown

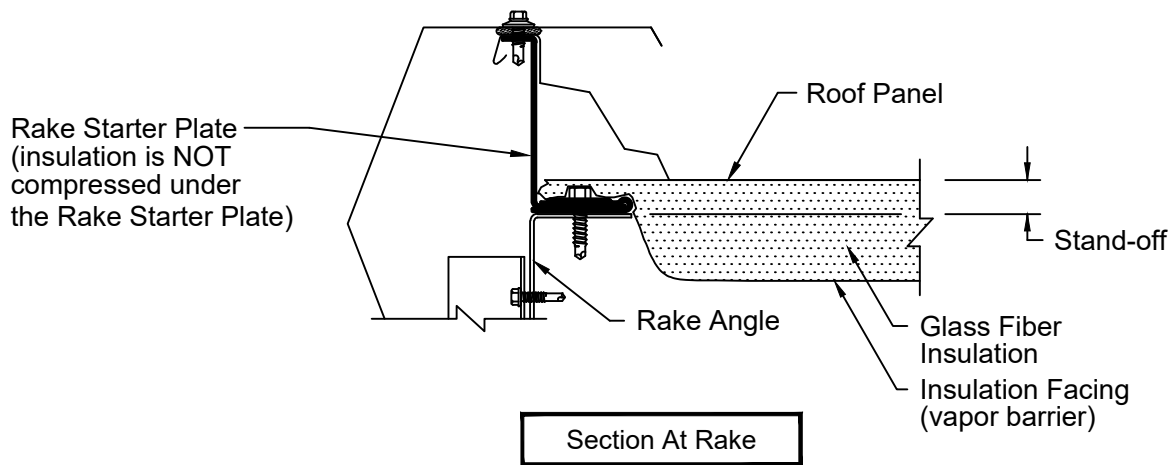
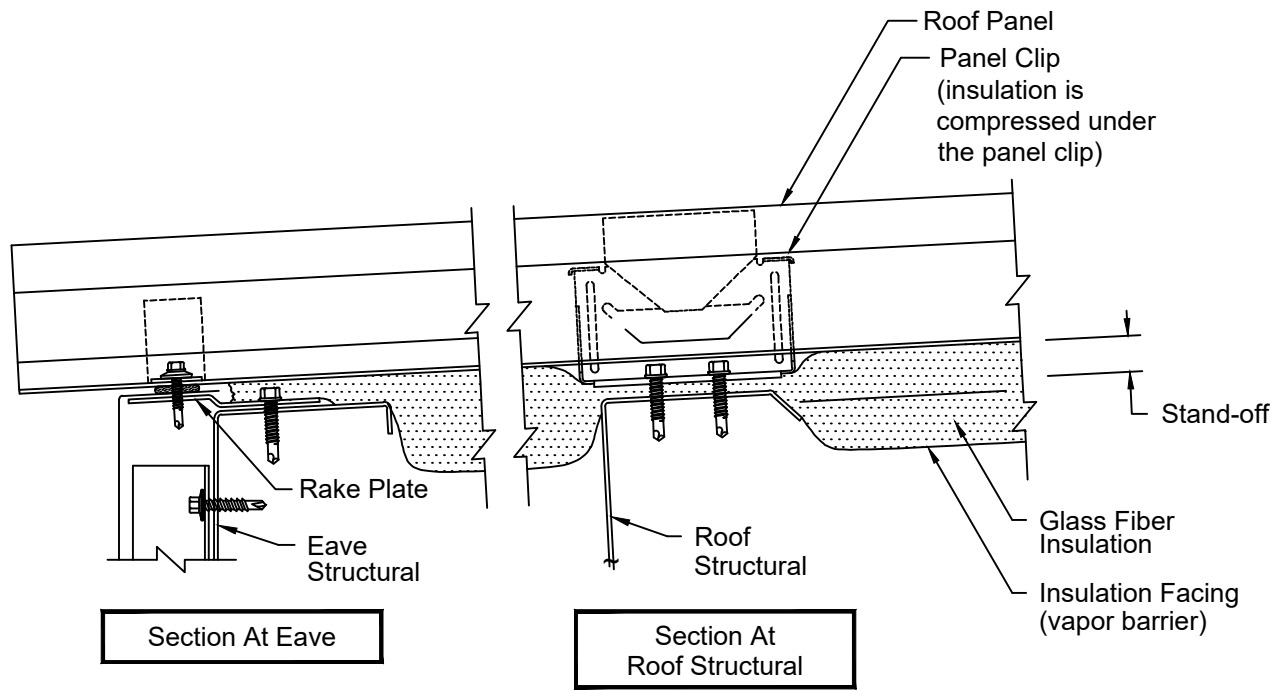


**CAUTION**  
Interior Gutter Must Be  
Provided With Protection From  
Corrosion, Icing, Damming &  
Interior Condensation

Interior Eave Gutter Section



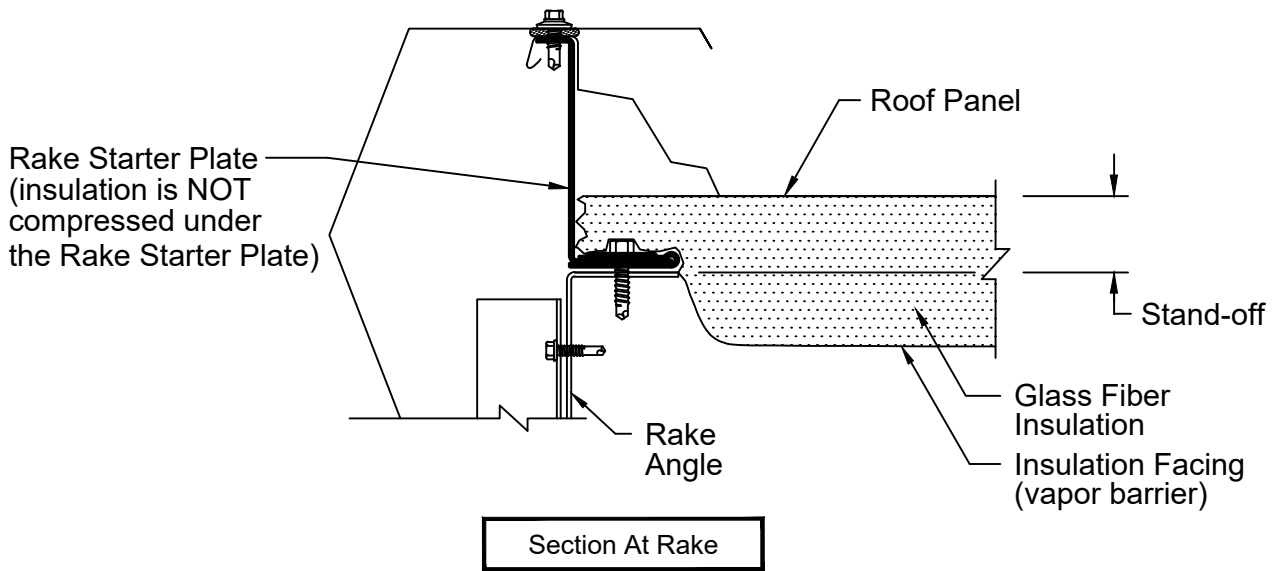
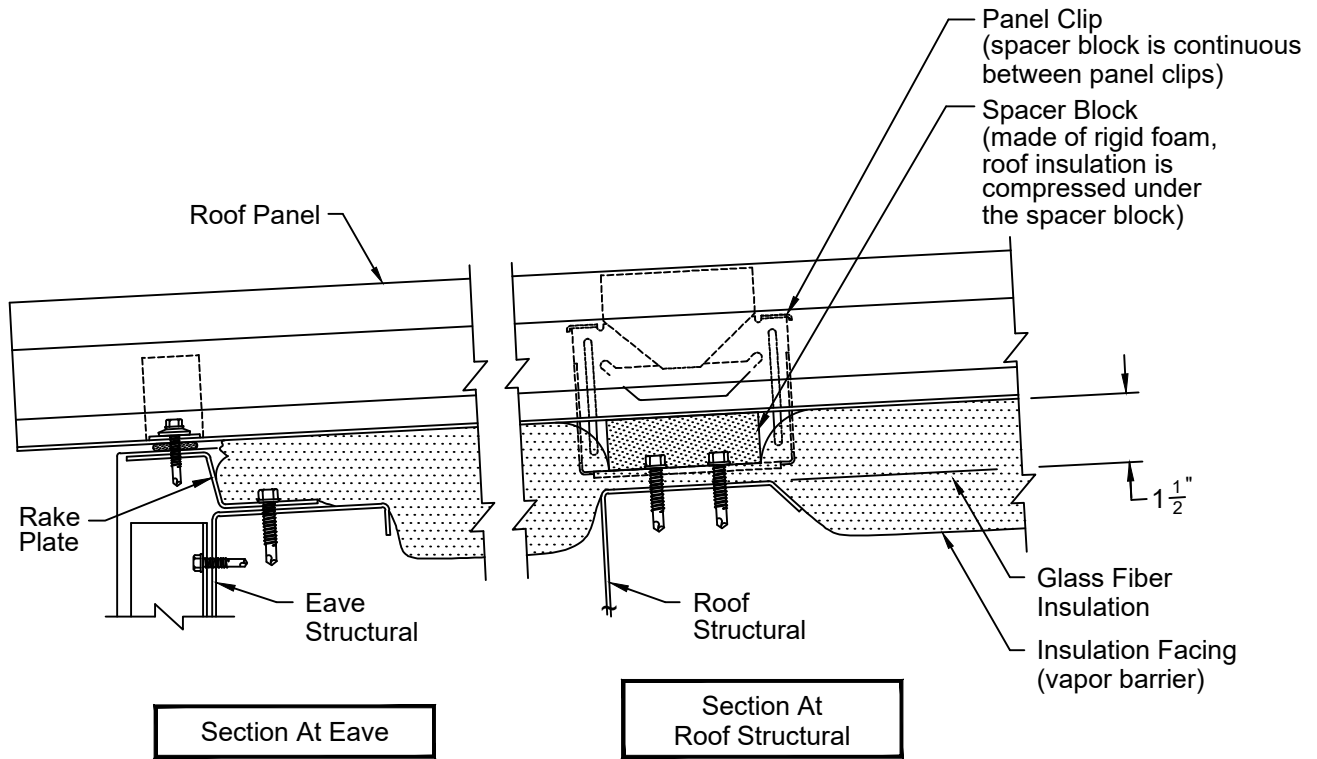
# BigbeeLok-324 Roof System Architectural Details



## Roof Sections - Fiberglass Insulation

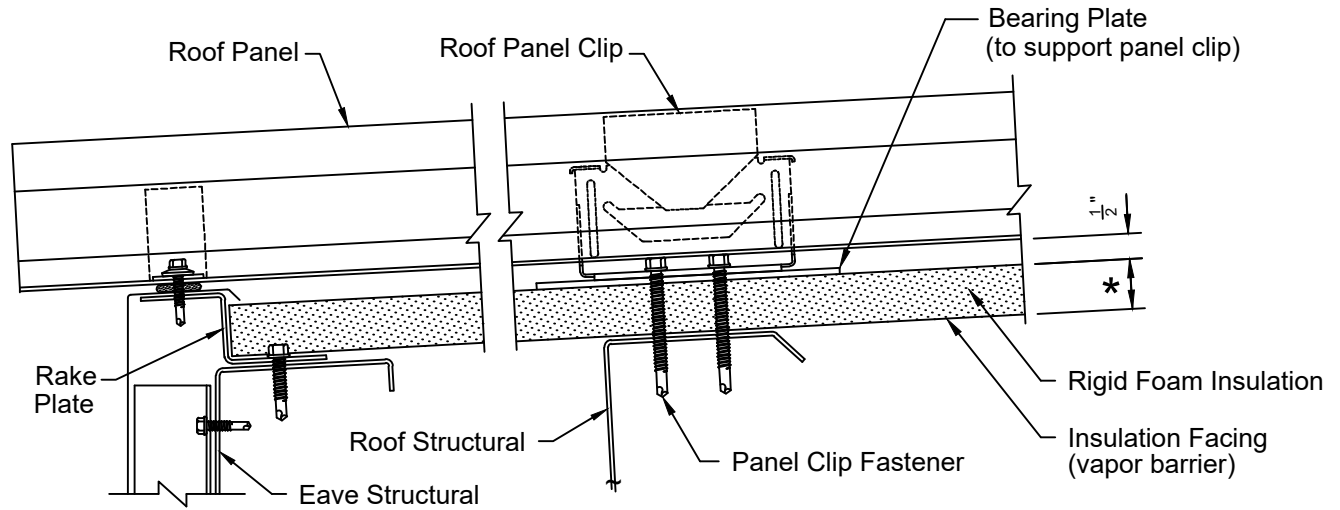


# BigbeeLok-324 Roof System Architectural Details



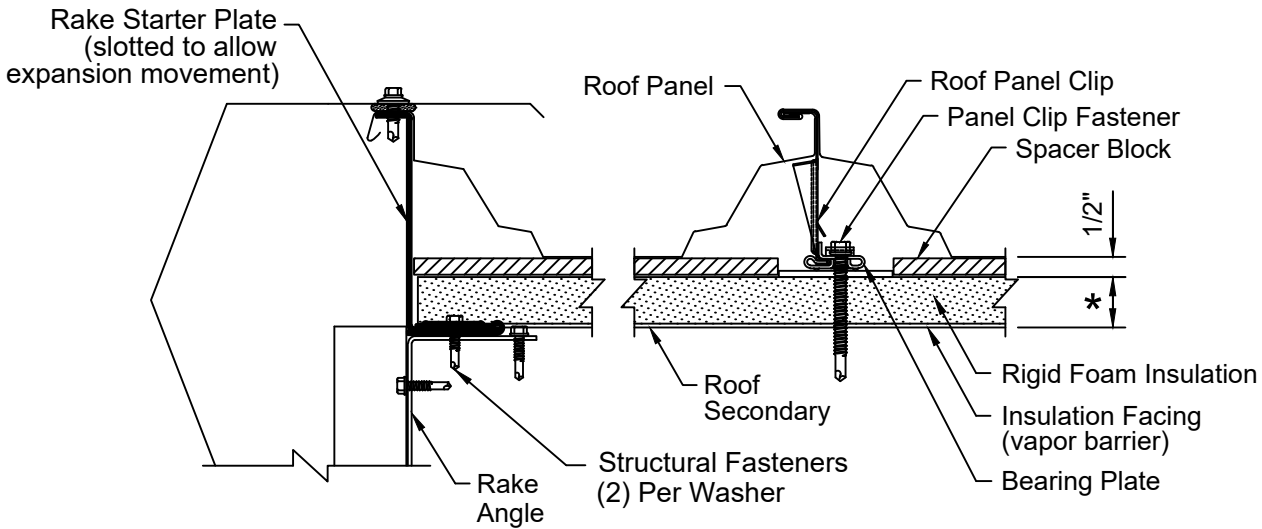


# BigbeeLok-324 Roof System Architectural Details



Section At Eave

Section At  
Roof Structural



Section At Rake

Note  
\* Rigid Foam Insulation Thickness May Vary

## Roof Sections - Rigid Foam Insulation