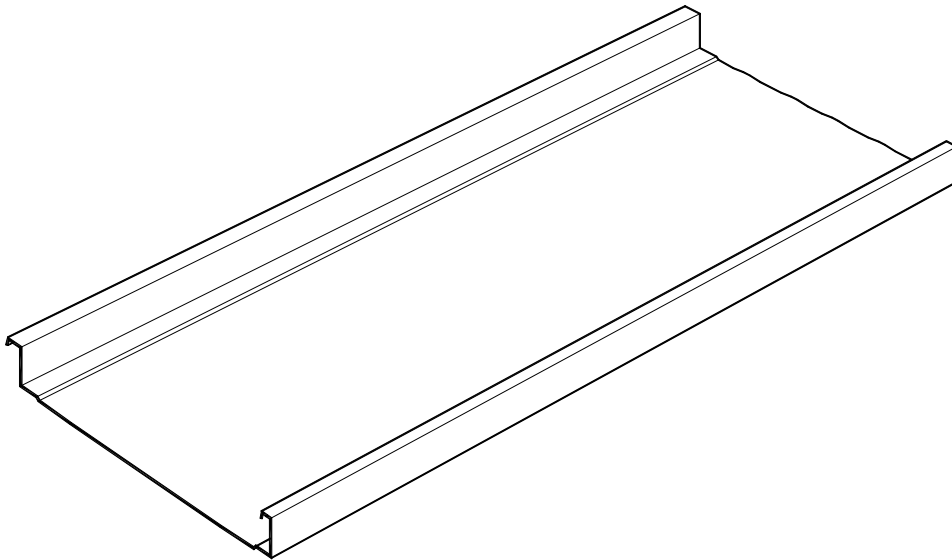




BIGBEE STEEL BUILDINGS, INC.
2705 Avalon Avenue
Muscle Shoals, AL 35661

BigbeeVR
Standing Seam Roof System
ARCHITECTURAL DETAILS



Phone: 256-383-7322 or 800-633-3378
Fax: 256-381-9669
Web: www.bigbee.com

Revised: Feb 21, 2022



Index

General Details

Details Index.....	1
Detail Locator.....	2
Roof Panel Sections.....	3
Roof Panel Seam Section - With Floating Panel Clip.....	4
Roof Panel Seam Section - With Fixed Panel Clip.....	5
Roof Panel Clip Details.....	6
Insulation Section - Rigid Foam.....	7
Insulation Section - Glass Fiber Blanket With Spacers.....	8
Insulation Section - Glass Fiber Blanket.....	9
Roof panel over Plywood Sections.....	10

High Pitch Roof Details

Eave Section - Eave Trim.....	11
Eave Section - Eave Gutter.....	12
Mansard Section.....	13
Ridge Section.....	14
High Eave Section.....	15
Rake Section.....	16
Hip Section.....	17
Valley Section.....	18

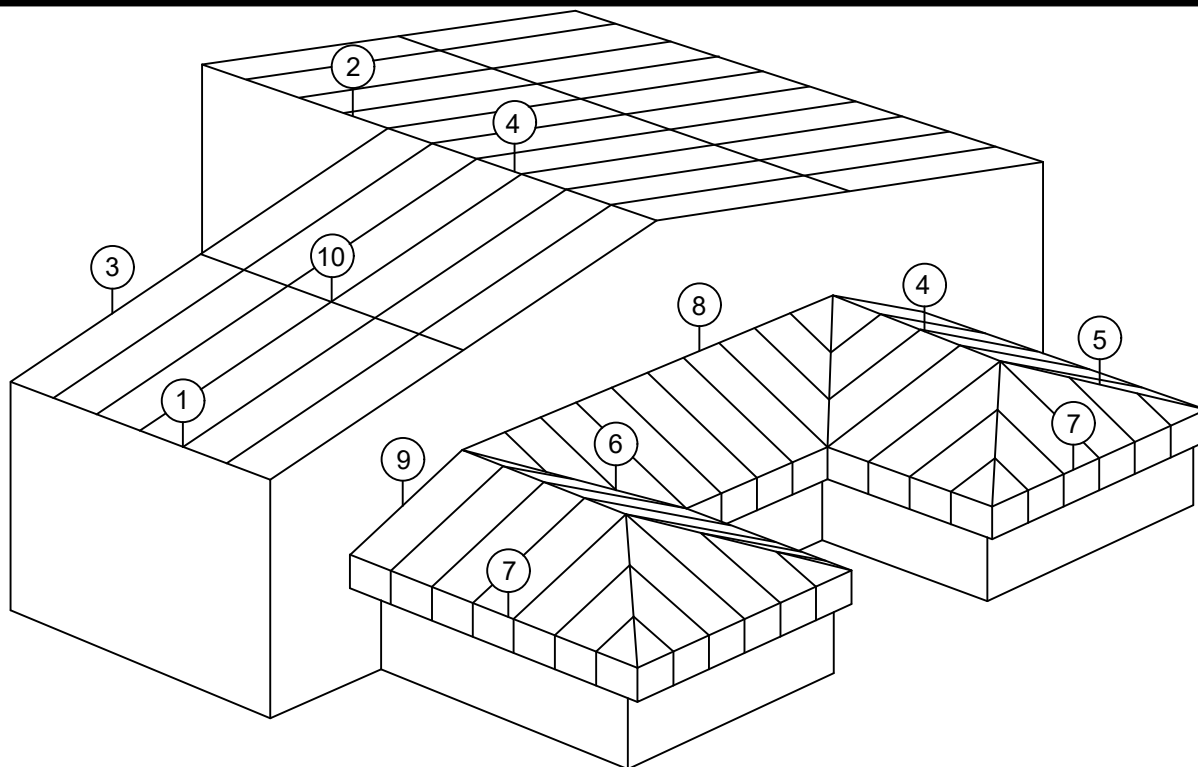
Low Pitch Roof Details

Eave Section - Eave Trim.....	19
Eave Section - Sculptured Eave Trim.....	20
Eave Section - Eave Gutter.....	21
Ridge Section.....	22
High Eave Section.....	23
Rake Section - Starting Rake.....	24
Rake Section - Finish Rake.....	25
Transition Section - High Eave.....	26
Transition Section.....	27
Interior Gutter Section.....	28
Valley Gutter Section.....	29



BigbeeVR Roof System Architectural Details

PAGE: 2
REVISION NO: 3
DATE: Feb 2022



* Oil-Canning is a natural occurrence in metal panels that does not affect the finish or structural integrity of the panel and is there for NOT a cause for rejection.

The following Architectural Details provide a graphic description of the BigbeeVR Standing Seam Roof System and its standard applications. Use these details to determine the applications required for your specific project.

DETAIL LEGEND

- ①.....EAVE
- ②.....HIGH EAVE
- ③.....RAKE
- ④.....RIDGE
- ⑤.....HIP
- ⑥.....VALLEY
- ⑦.....MANSARD
- ⑧.....HIGH EAVE TRANSITION
- ⑨.....RAKE TRANSITION
- ⑩.....ROOF PANEL ENDLAP

These standard application details are based on typical and proven designs utilizing gasket type sealed assemblies to provide more positive weather resistance over a broad range of conditions, including low pitched roofs. It is the project designer's responsibility to assure that the specified application is appropriate for the roof's intended use.

These details show generic roof structural members, roof insulation and adjacent construction for simplicity of presentation. These details may be modified to accommodate clarification of structural members, roof insulation, trim profile, tie-in to adjacent construction etc.

The basic function of the details, such as roof panel assembly and fit-up to closures and flashing, sealing and attachments etc. cannot be modified. All applications, not in accordance to these details, require approval by the Bigbee Steel Buildings, Inc. Customer Service Department.

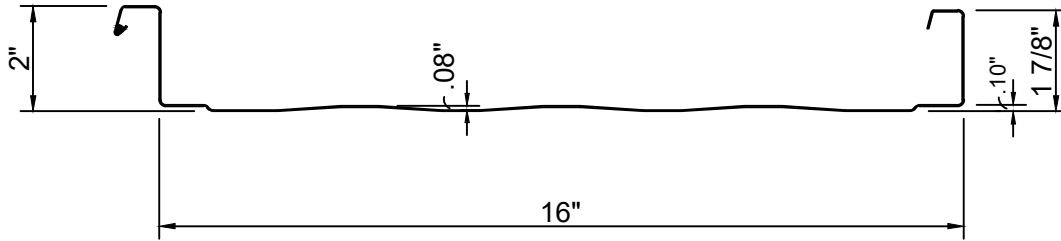
In case of conflict between these Architectural details and the project's erection drawings, the erection drawings will take precedence.

Detail Locator

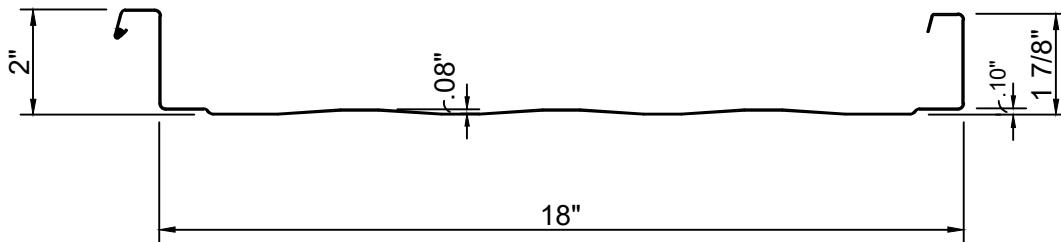


BigbeeVR Roof System Architectural Details

PAGE: 3
REVISION NO: 3
DATE: Feb 2022



BigbeeVR-216 Roof Panel
With Striated Pan



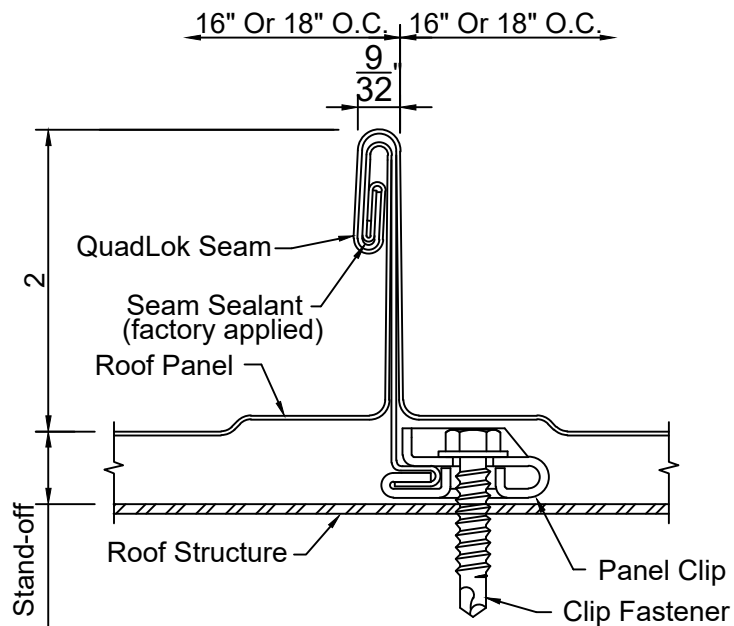
BigbeeVR-218 Roof Panel
With Striated Pan

Roof Panel Sections

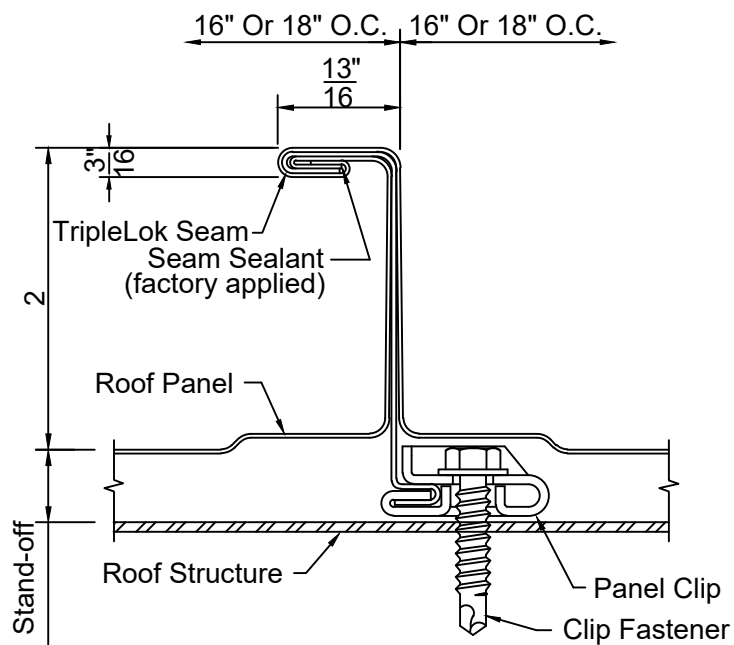


BigbeeVR Roof System Architectural Details

PAGE: 4
REVISION NO: 3
DATE: Feb 2022

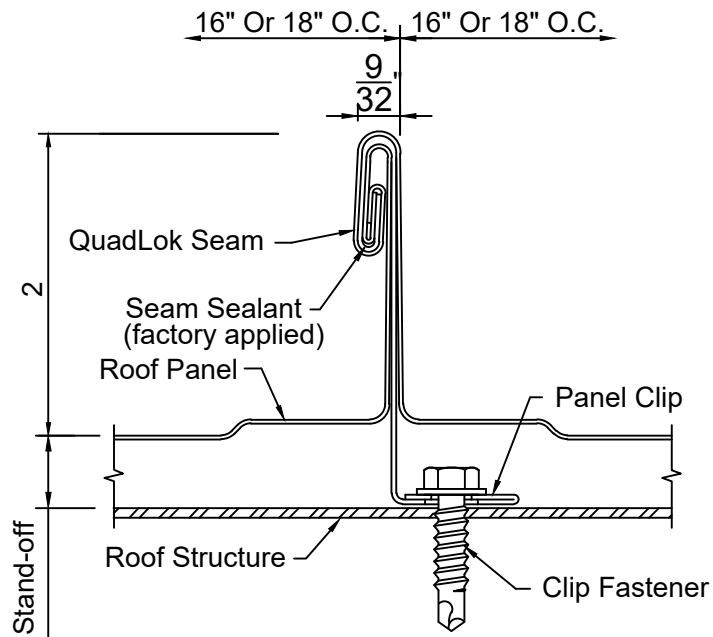


Quadlok Seam

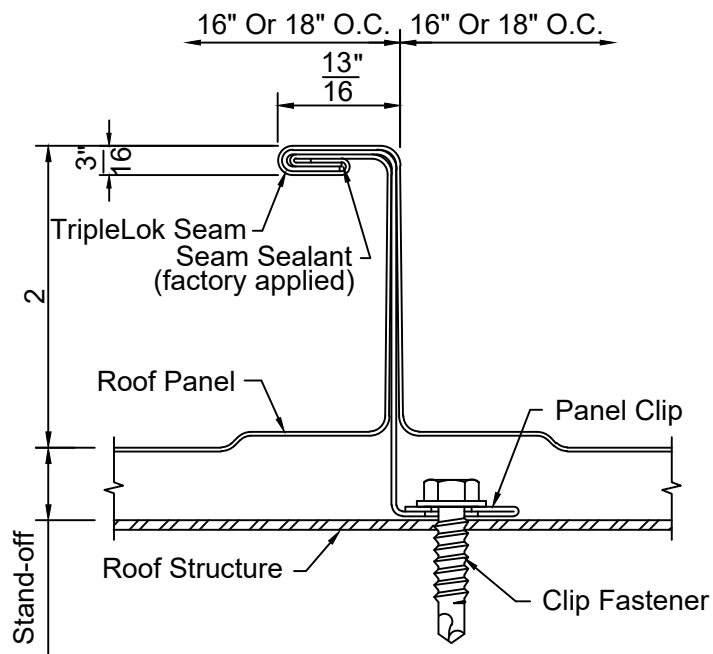


Triplelok Seam

Roof Panel Seam Section (With Floating Panel Clip)



Quadlok Seam



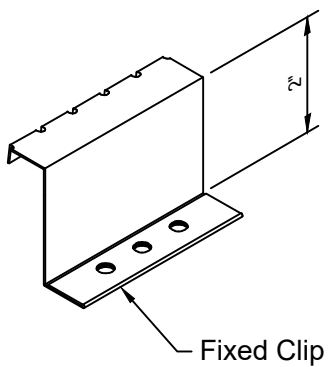
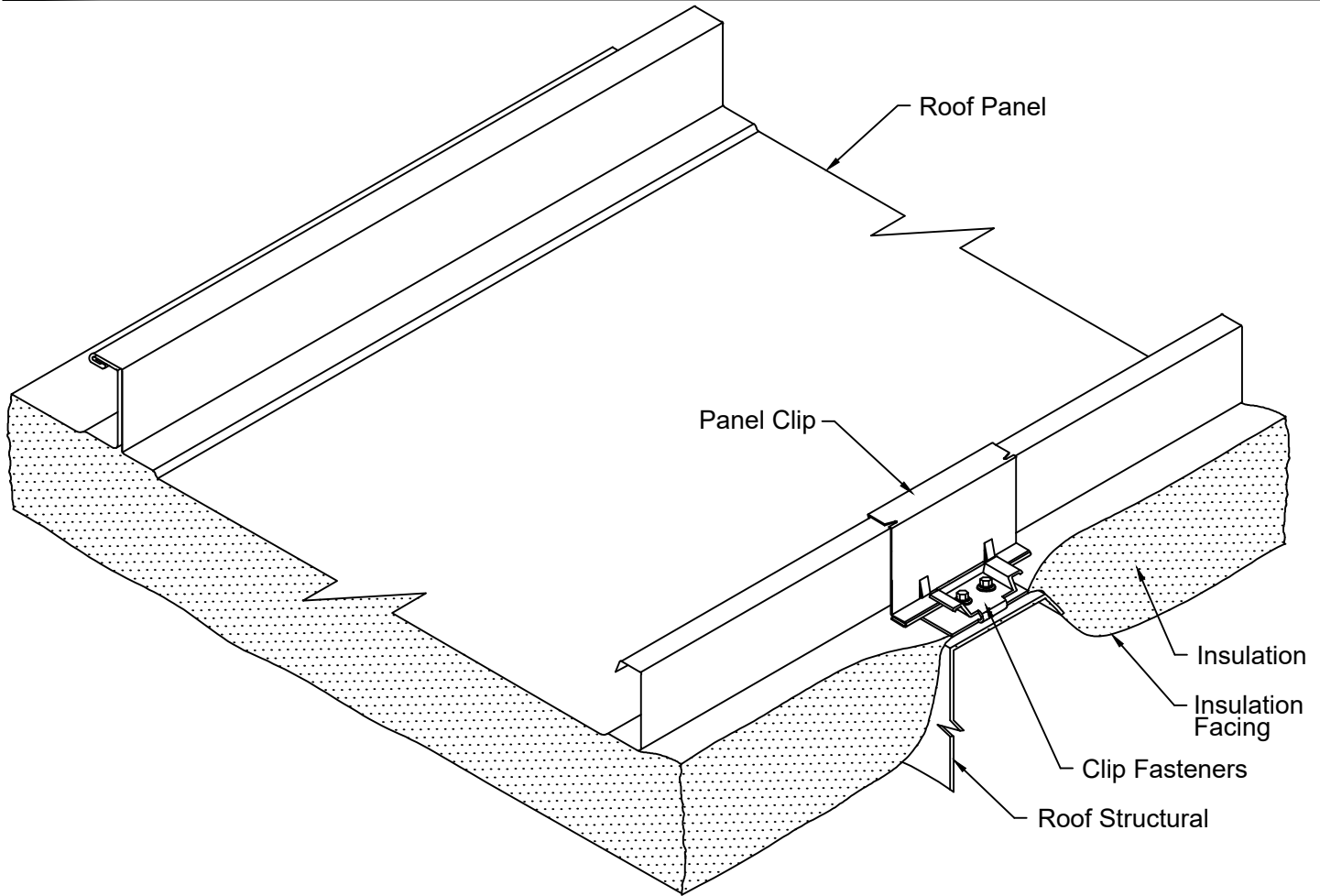
Triplelok Seam

Roof Panel Seam Section
(With Fixed Panel Clip)

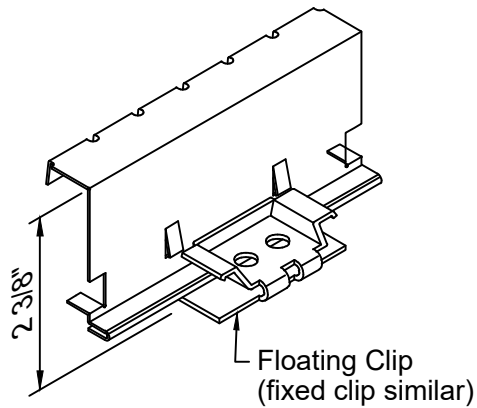


BigbeeVR Roof System Architectural Details

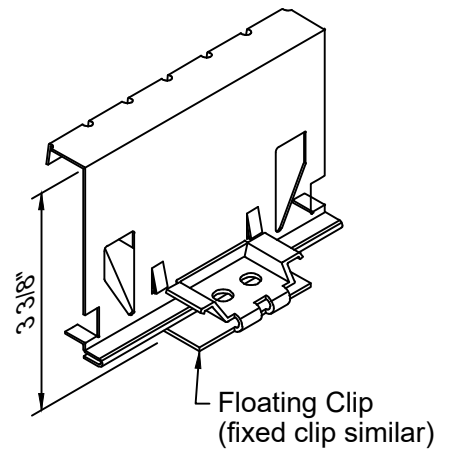
PAGE: 6
REVISION NO: 3
DATE: Feb 2022



For 0" Stand-off
Fixed Roof Only



For 1/2" Stand-off
Fixed Or Floating Roof



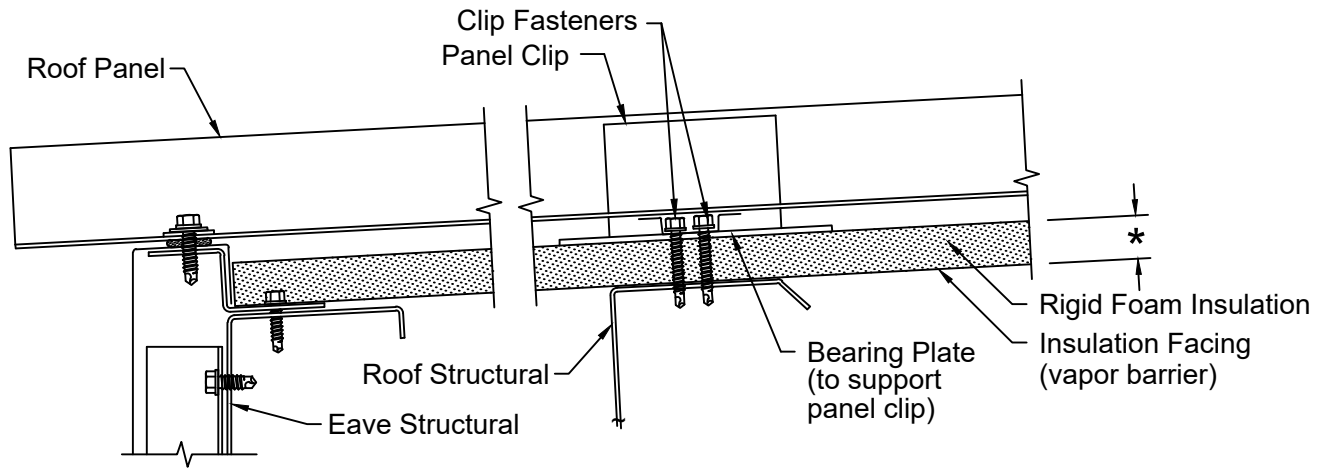
For 1 1/2" Stand-off
Fixed Or Floating Roof

Roof Panel Clip Details



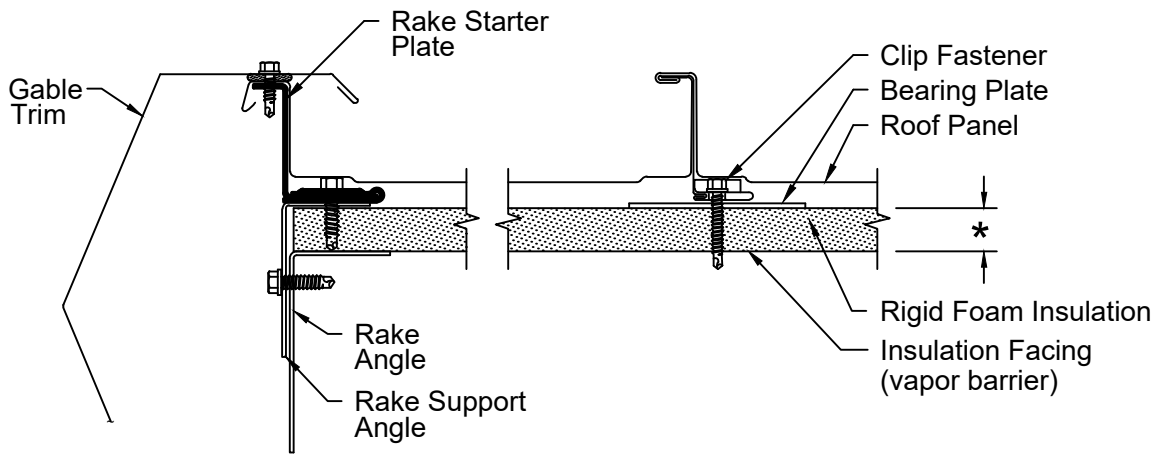
BigbeeVR Roof System Architectural Details

PAGE: 7
REVISION NO: 3
DATE: Feb 2022



Section @ Eave

Section @ Structural



Section @ Rake

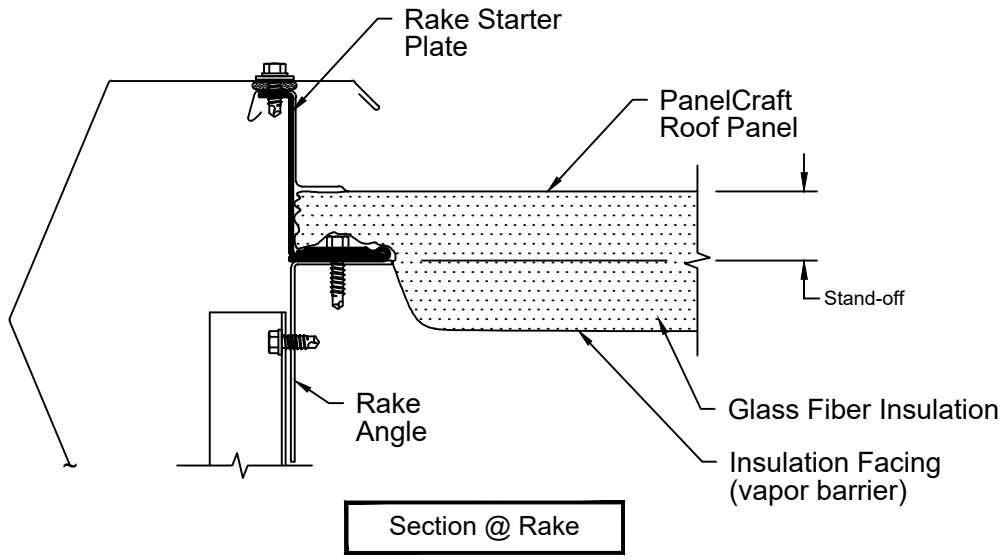
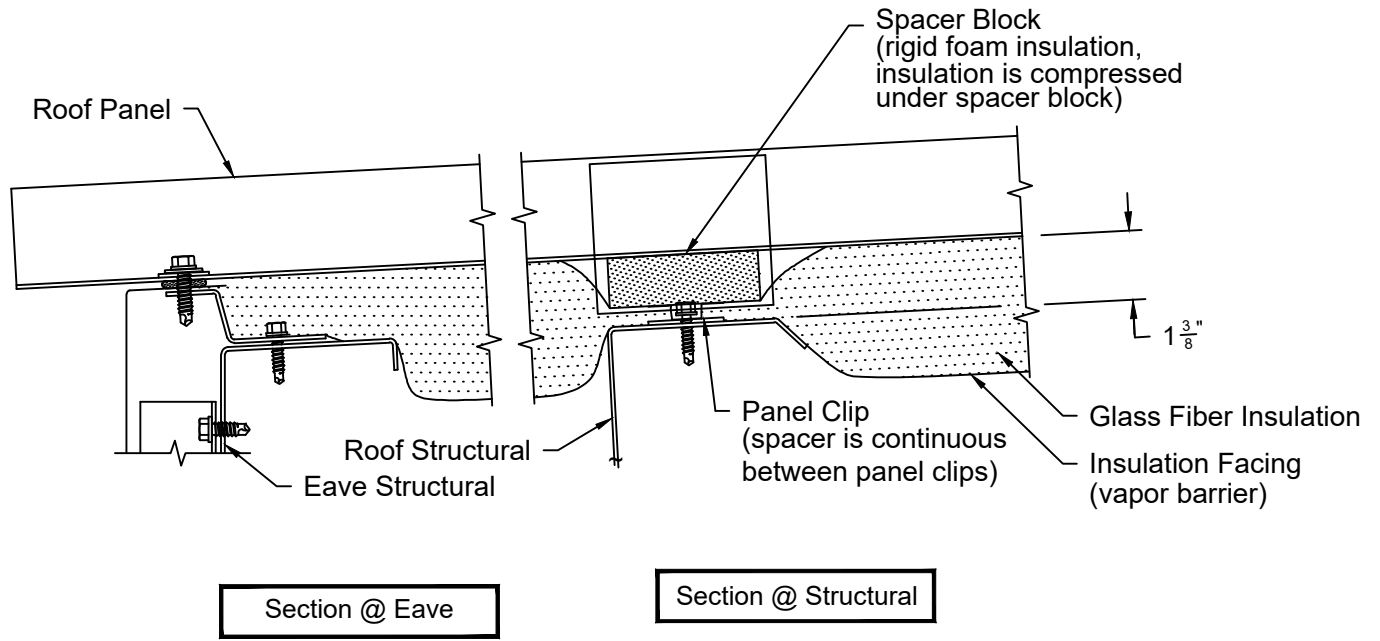
Note
* Rigid Foam Insulation Thickness May Vary

Insulation Sections - Rigid Foam



BigbeeVR Roof System Architectural Details

PAGE: 8
REVISION NO: 3
DATE: Feb 2022

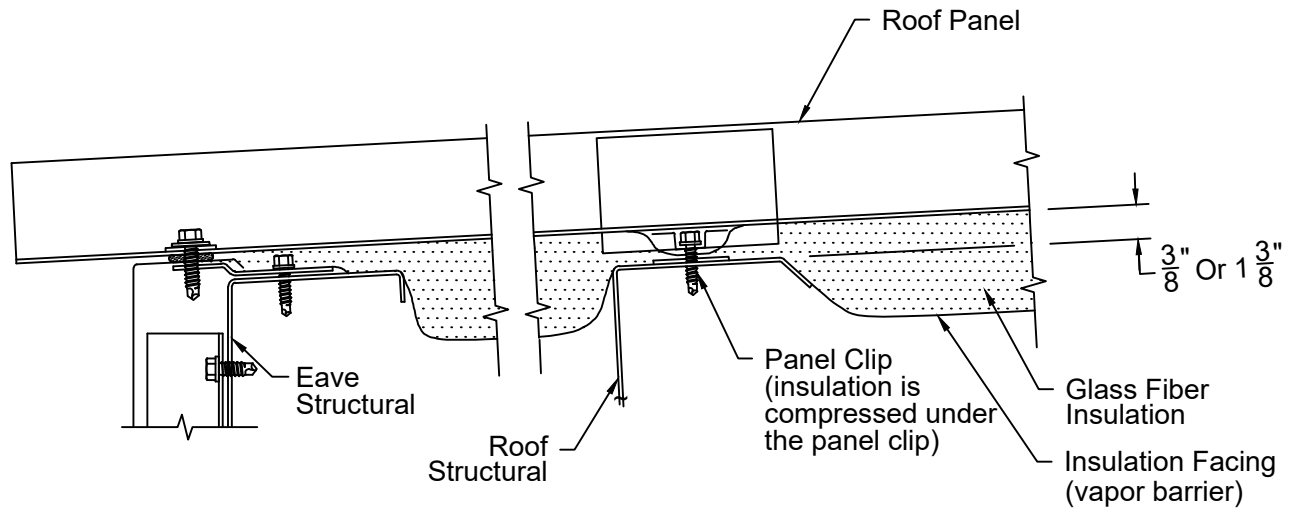


Insulation Sections - Glass Fiber Blanket With Spacers



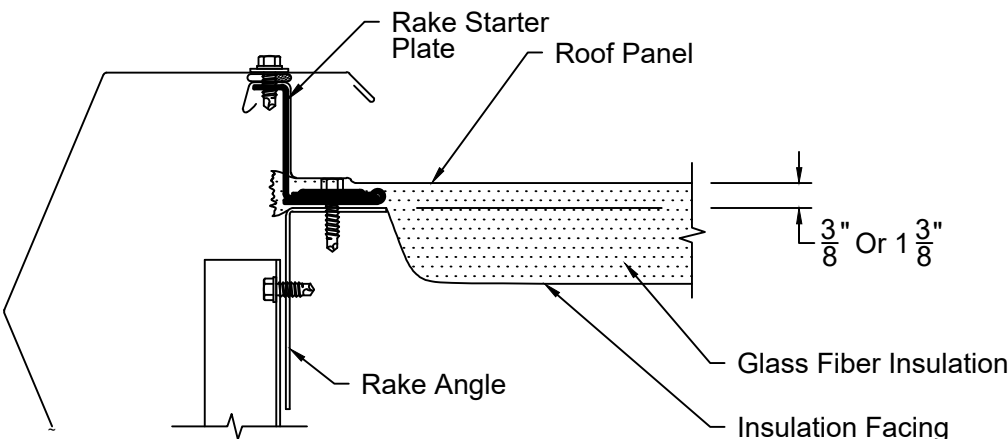
BigbeeVR Roof System Architectural Details

PAGE: 9
REVISION NO: 3
DATE: Feb 2022



Section @ Eave

Section @ Structural



Section @ Rake

Insulation Sections - Glass Fiber Blanket

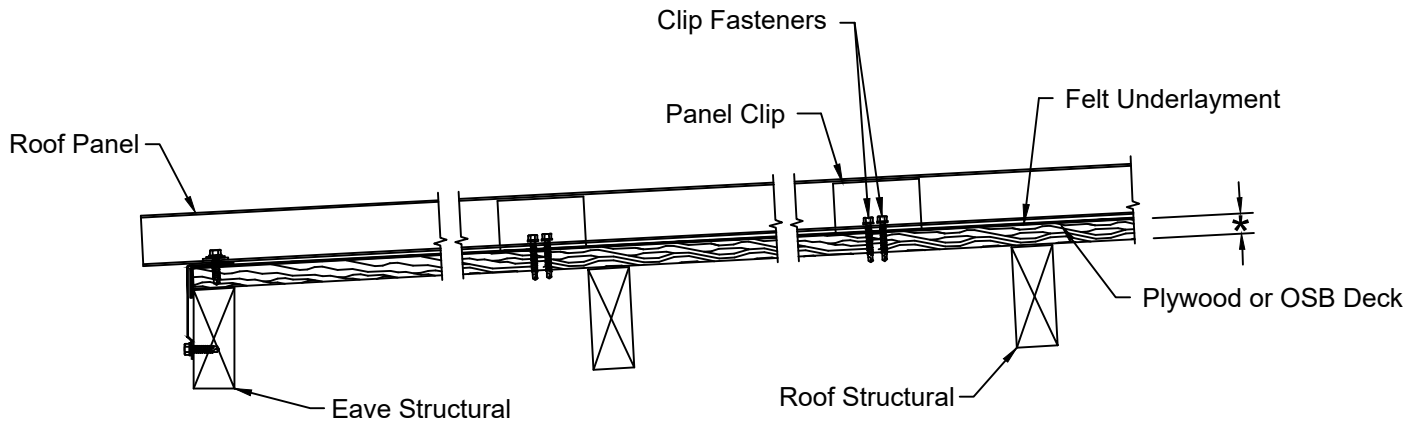


BigbeeVR Roof System Architectural Details

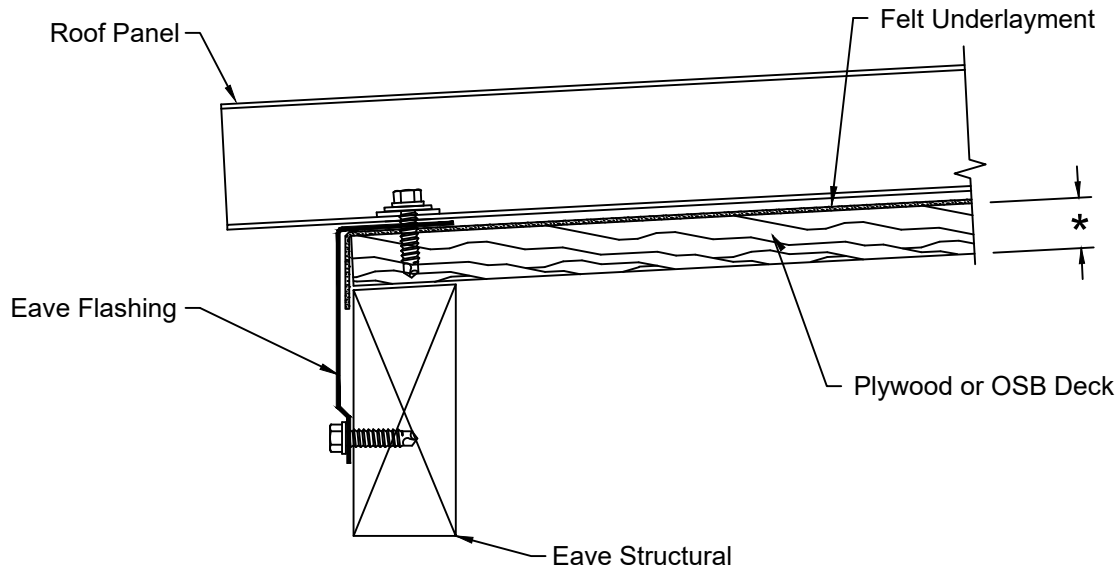
PAGE: 10

REVISION NO: 3

DATE: Feb 2022



Cross Section @
Roof Structural



Section @ Eave

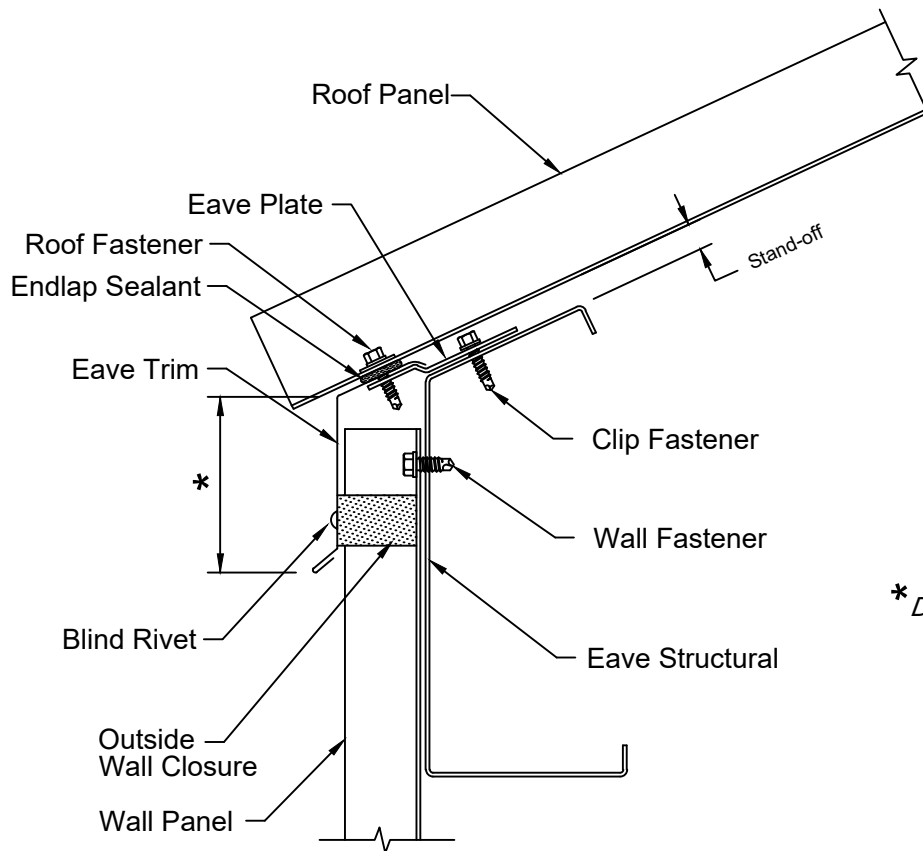
Note
* Plywood Thickness

Panel Over Plywood Sections



BigbeeVR Roof System Architectural Details

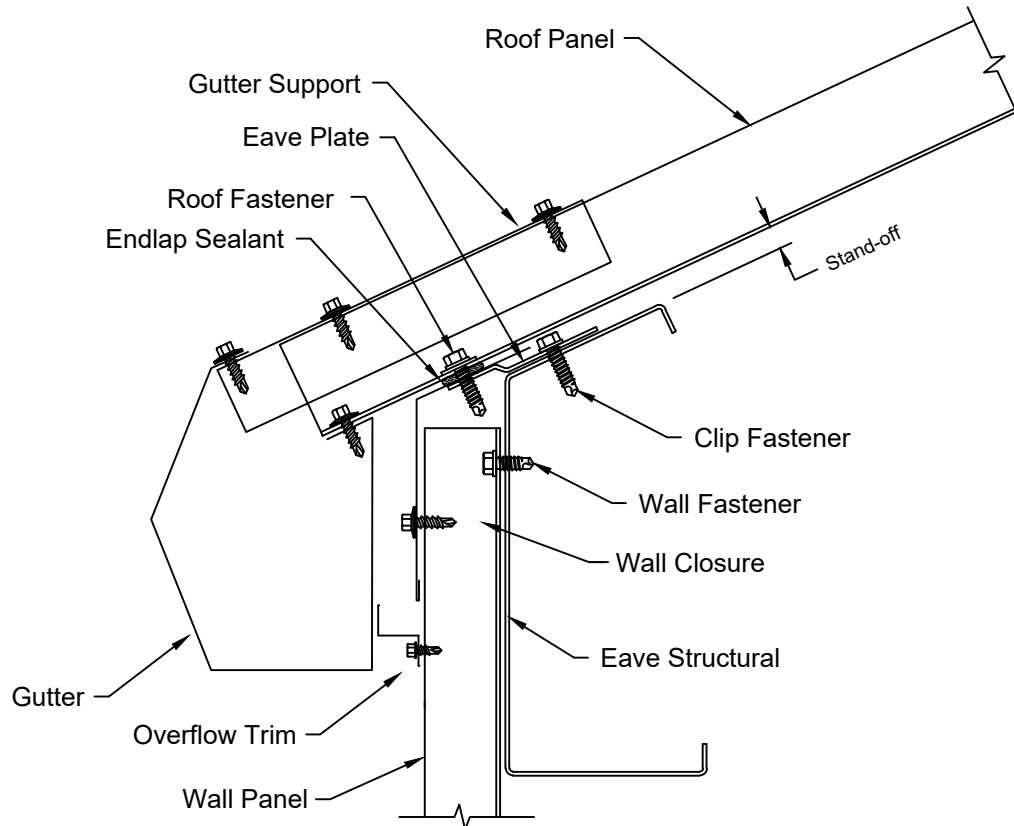
PAGE: 11
REVISION NO: 3
DATE: Feb 2022



* *Determined By Manufacturer*

Architectural

Eave Section - Eave Trim



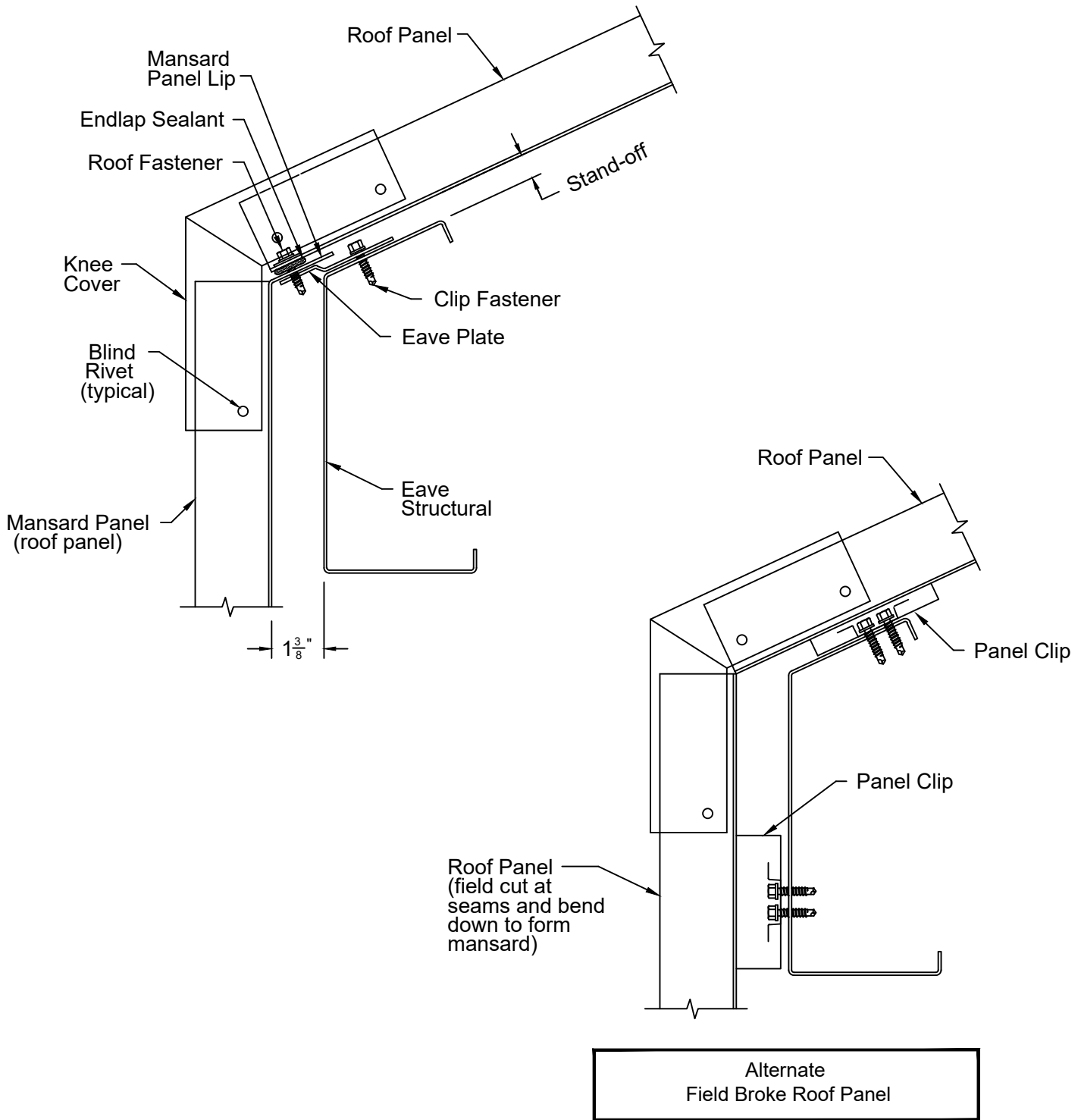
Architectural

Eave Section - Eave Gutter



BigbeeVR Roof System Architectural Details

PAGE: 13
REVISION NO: 3
DATE: Feb 2022



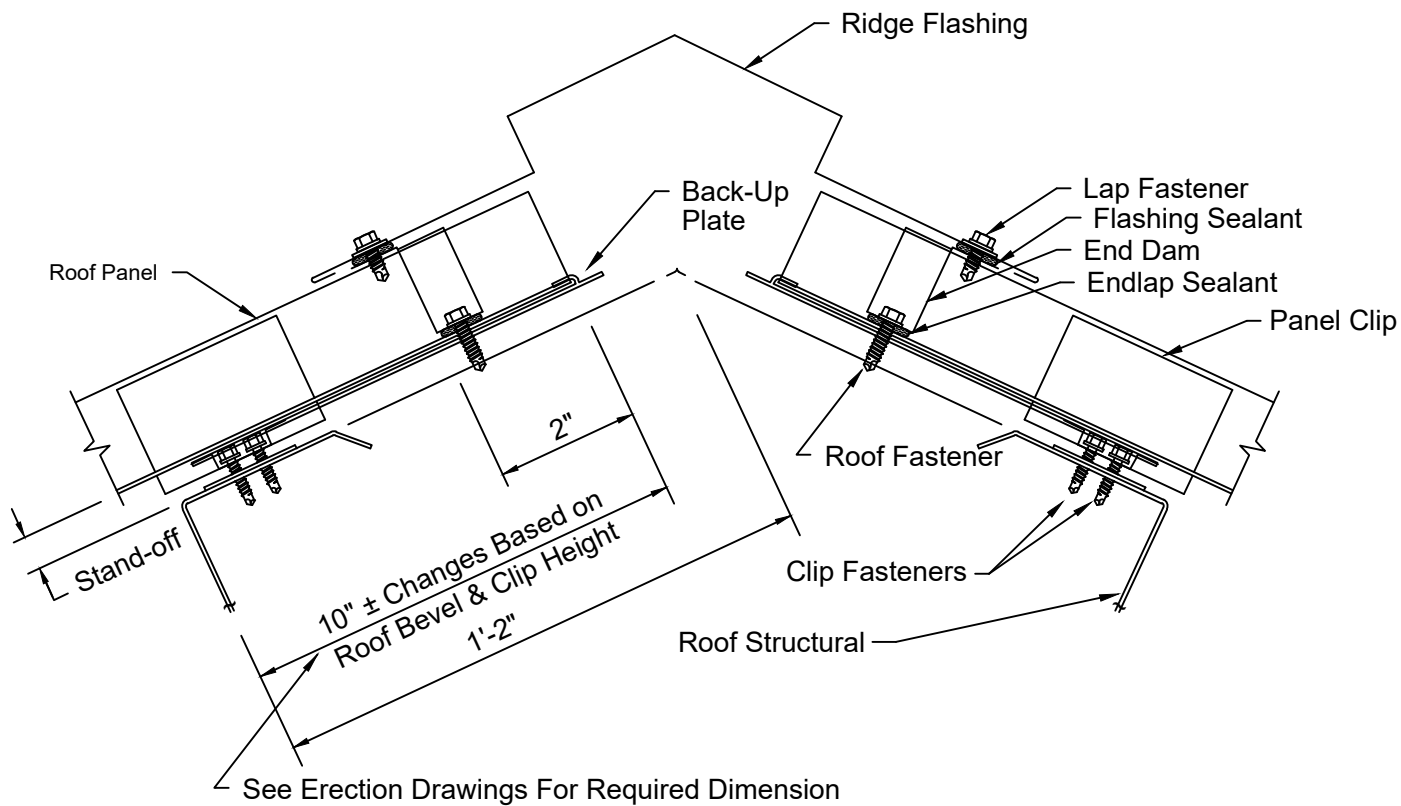
Architectural

Mansard Section



BigbeeVR Roof System Architectural Details

PAGE: 14
REVISION NO: 3
DATE: Feb 2022



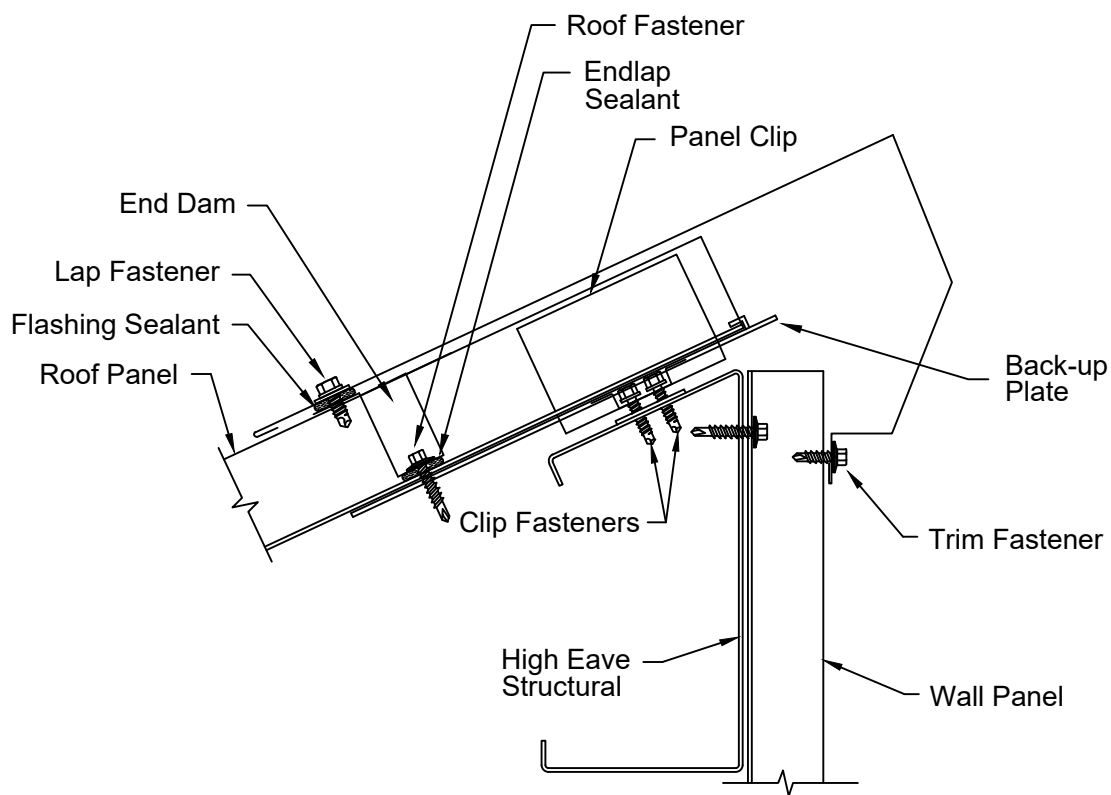
Architectural

Ridge Section



BigbeeVR Roof System Architectural Details

PAGE: 15
REVISION NO: 3
DATE: Feb 2022



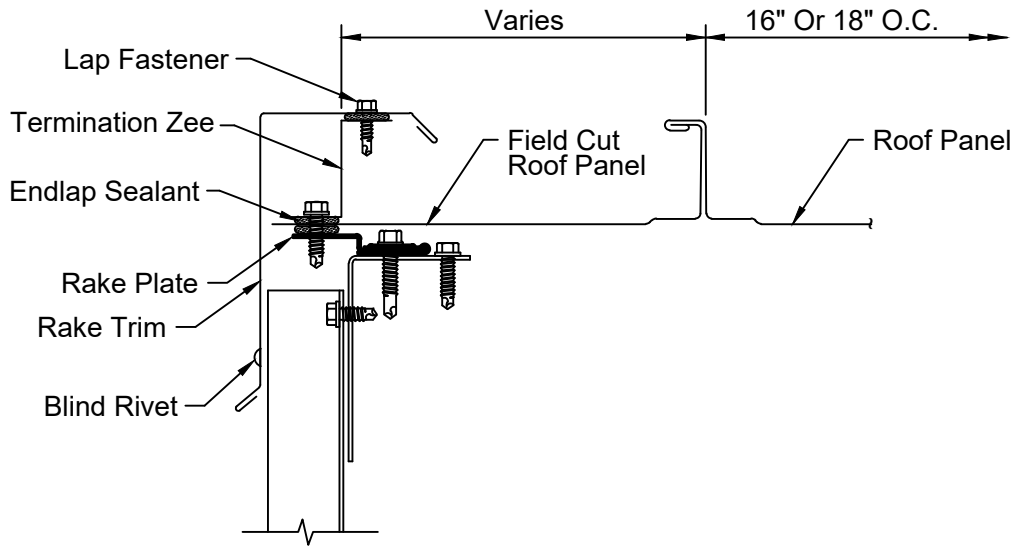
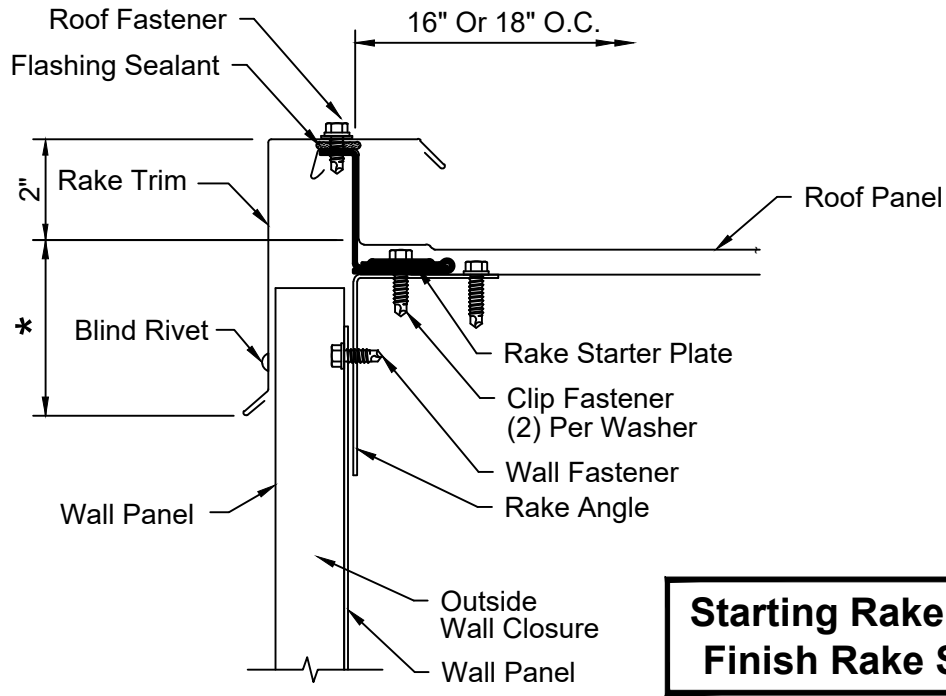
Architectural

High Eave Section



BigbeeVR Roof System Architectural Details

PAGE: 16
REVISION NO: 3
DATE: Feb 2022



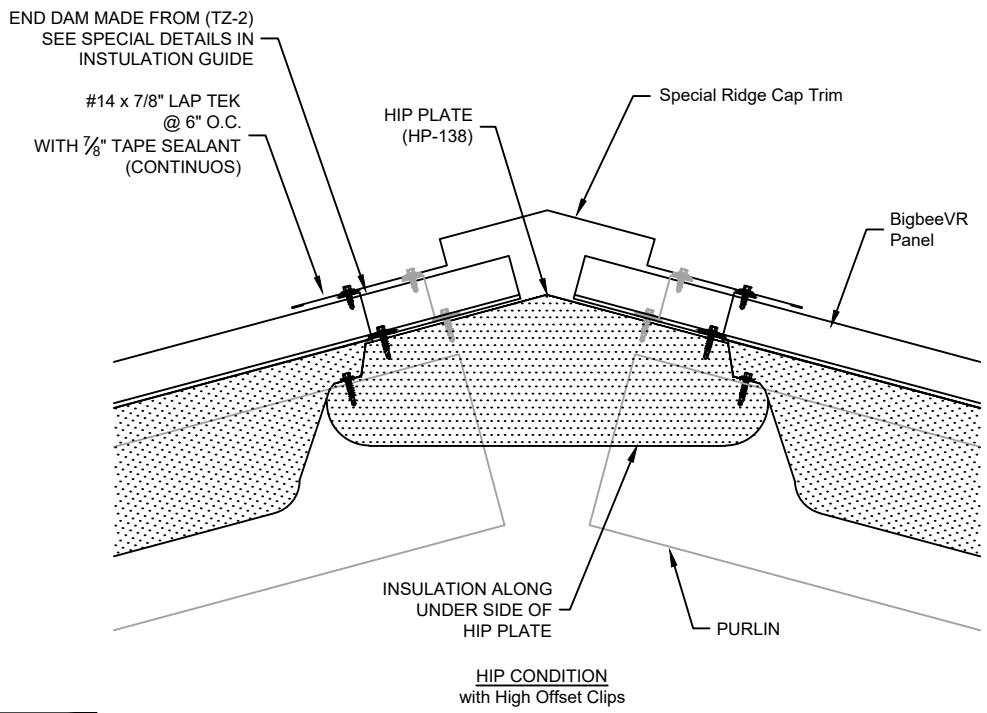
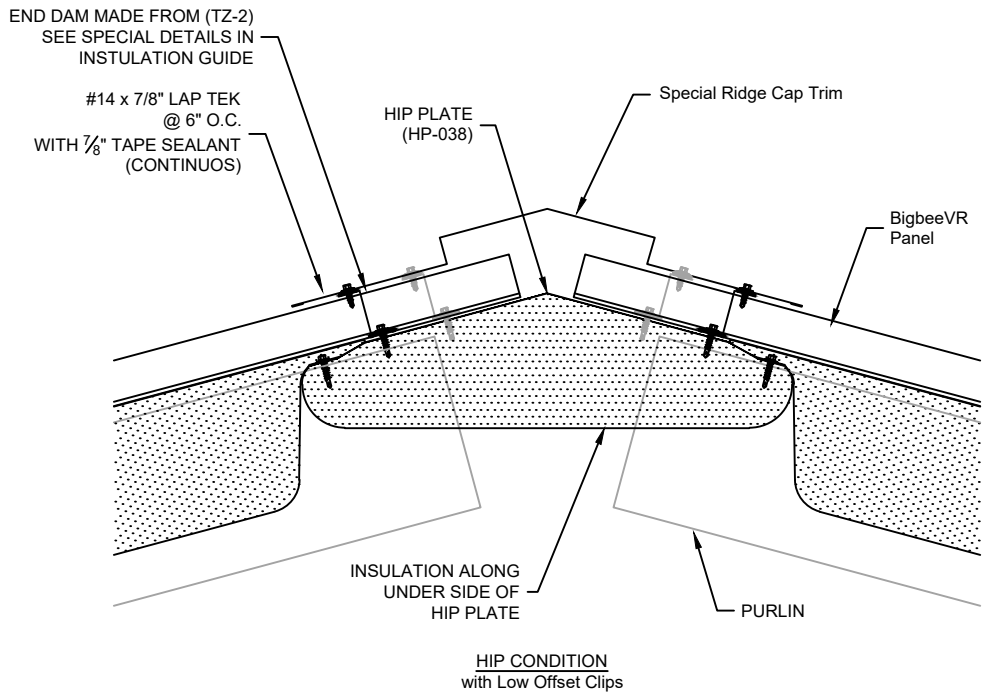
Alternate
Field Cut Roof Panel

Architectural

Rake Section



BigbeeVR Roof System Architectural Details

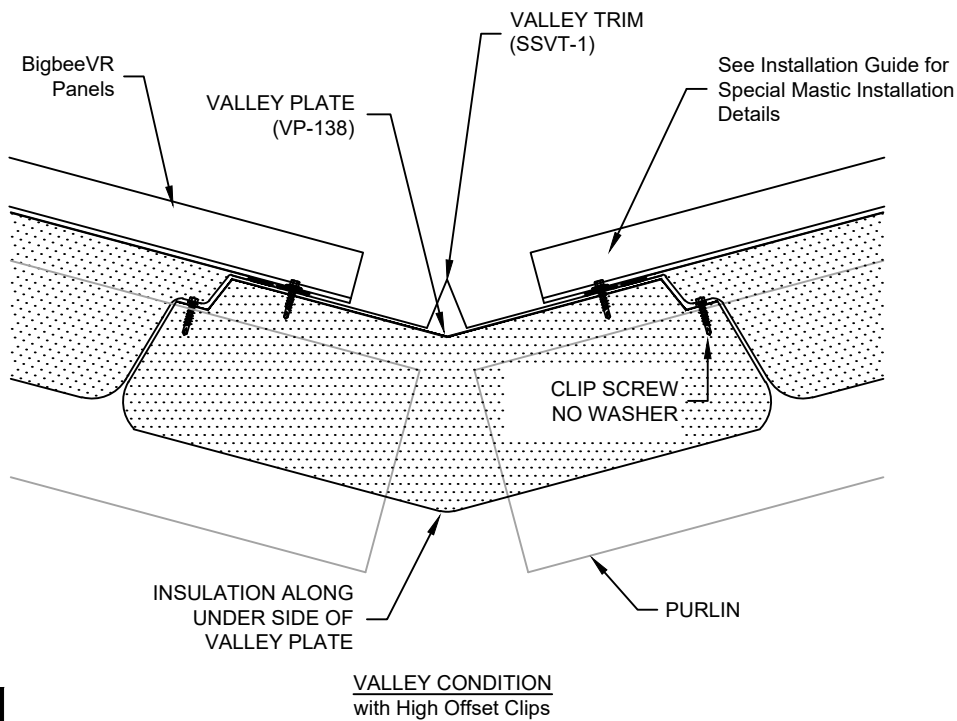
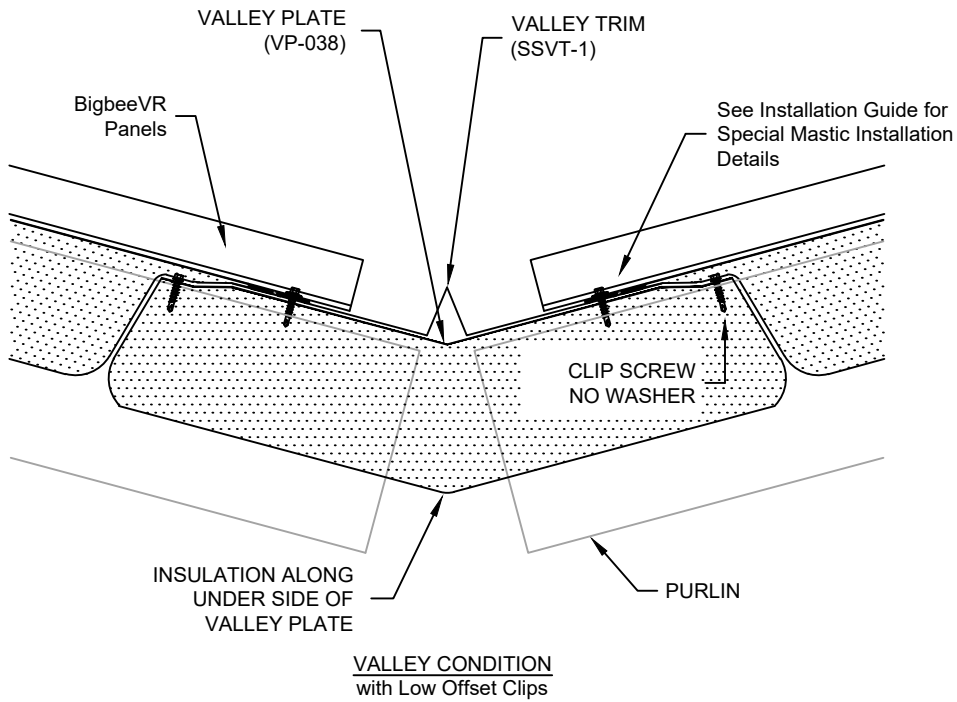


Architectural

Hip Section



BigbeeVR Roof System Architectural Details



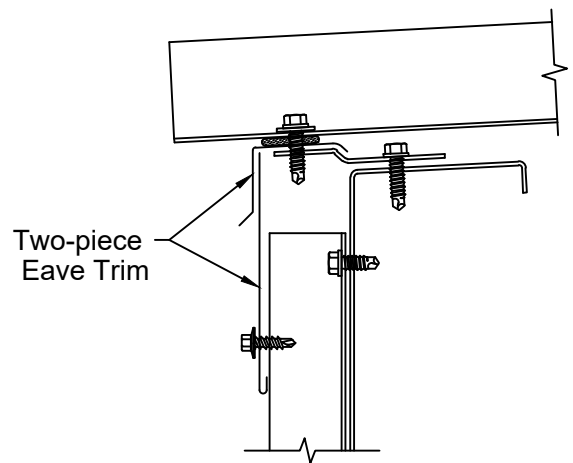
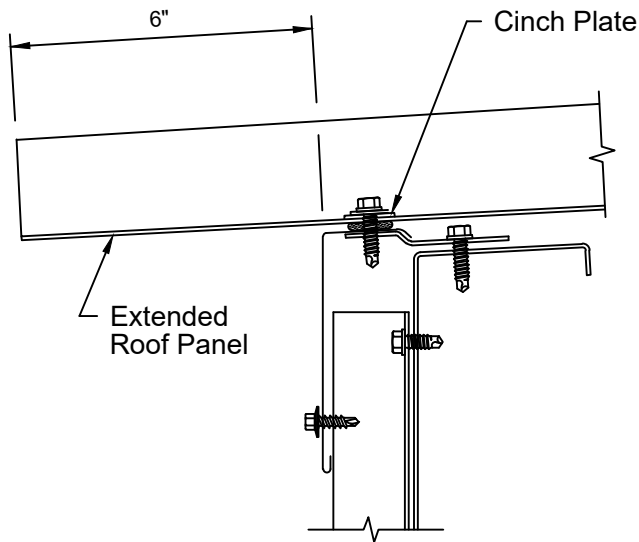
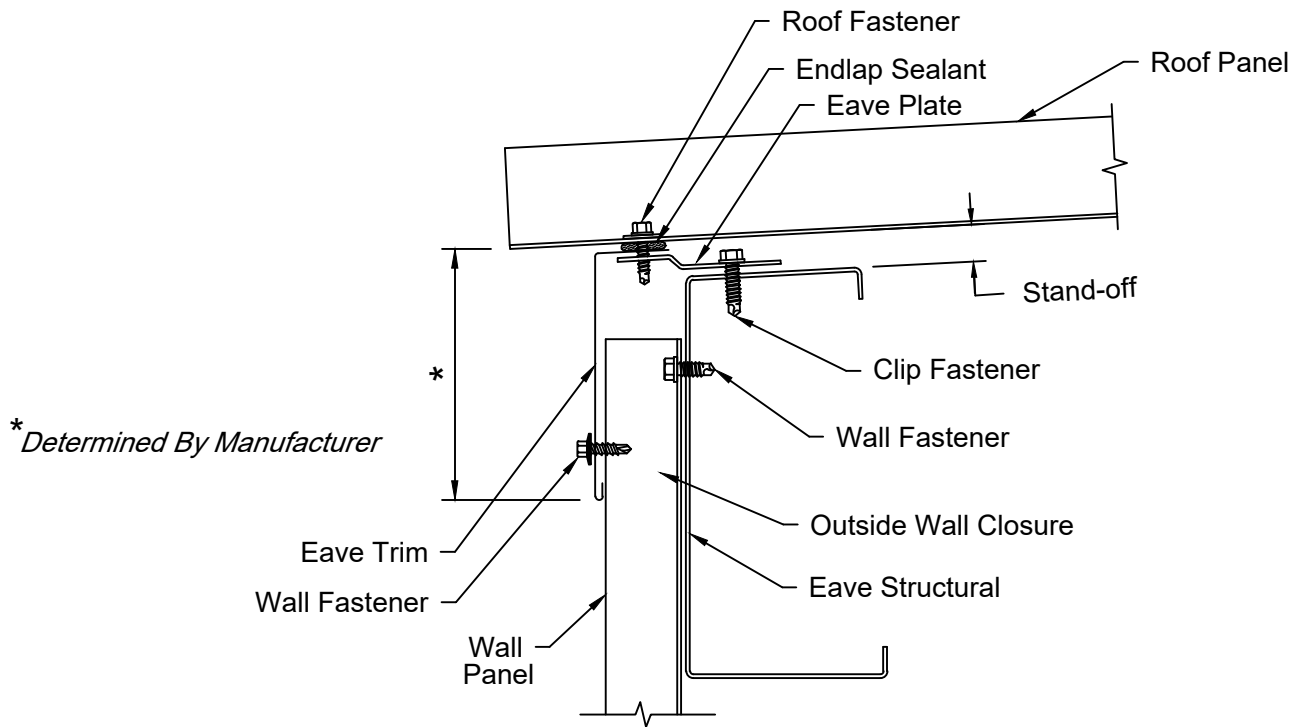
Architectural

Valley Section



BigbeeVR Roof System Architectural Details

PAGE: 19
REVISION NO: 3
DATE: Feb 2022



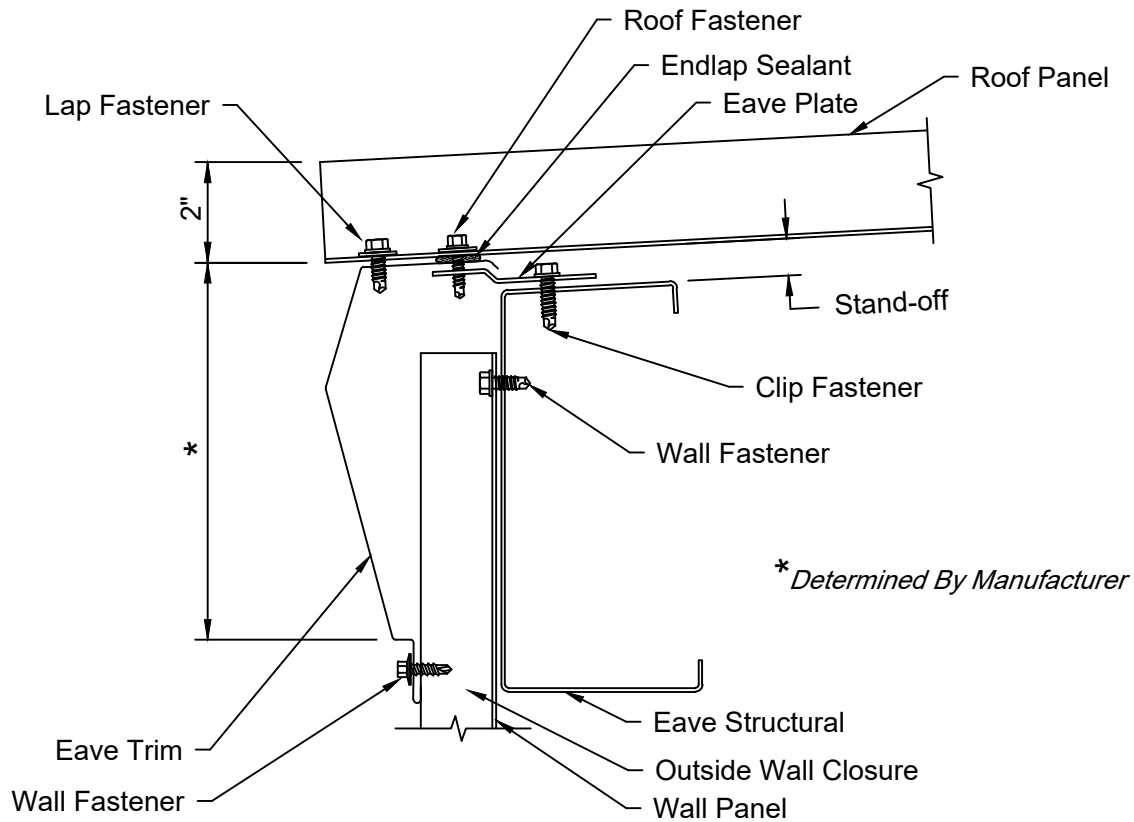
Alternate
Two Part Eave Trim
(To Allow Installation Of Wall
Panel After Roof Is In Place)

Eave Section - Eave Trim



BigbeeVR Roof System Architectural Details

PAGE: 20
REVISION NO: 3
DATE: Feb 2022

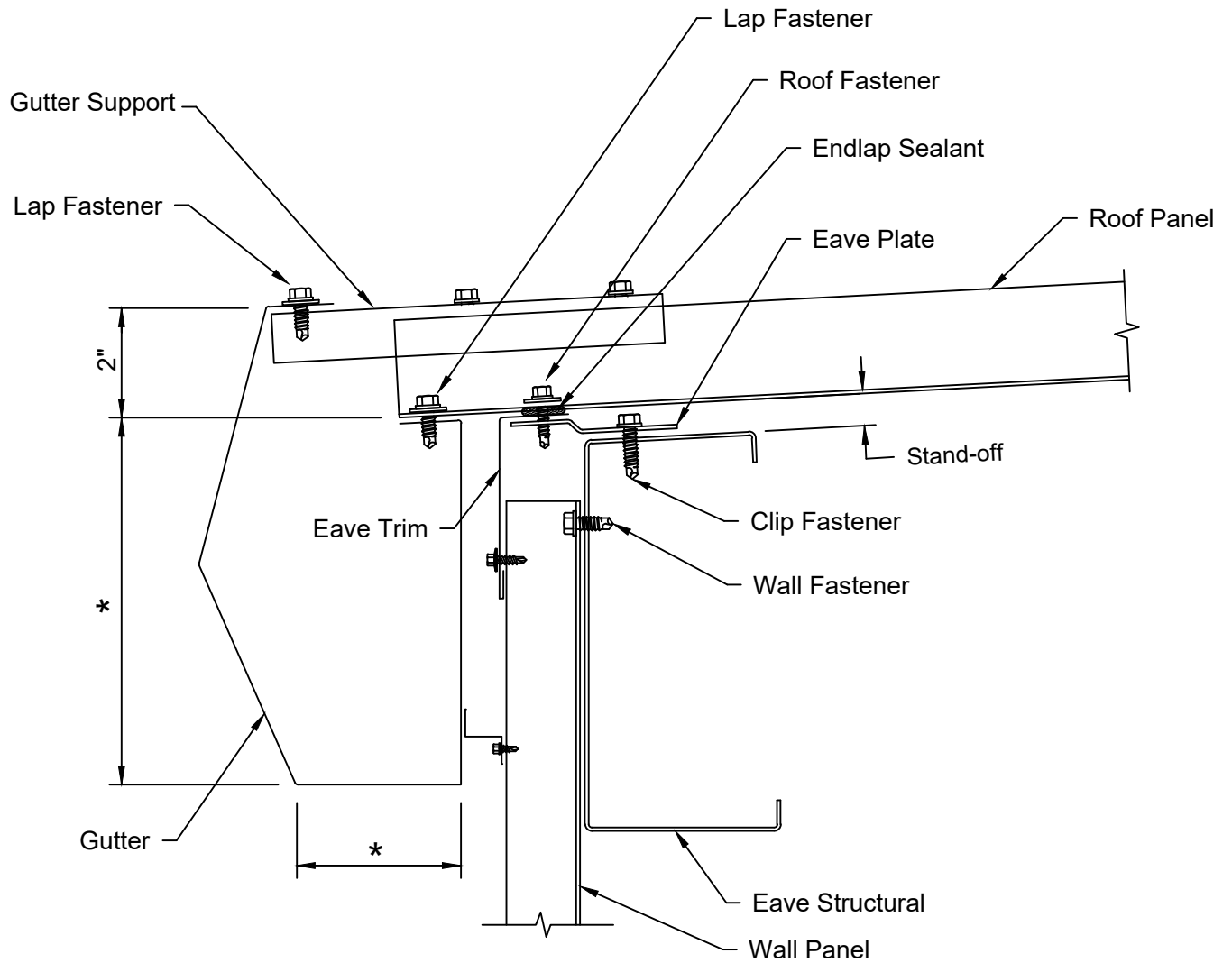


Eave Section - Sculptured Eave Trim



BigbeeVR Roof System Architectural Details

PAGE: 21
REVISION NO: 3
DATE: Feb 2022



**Determined By Manufacturer*

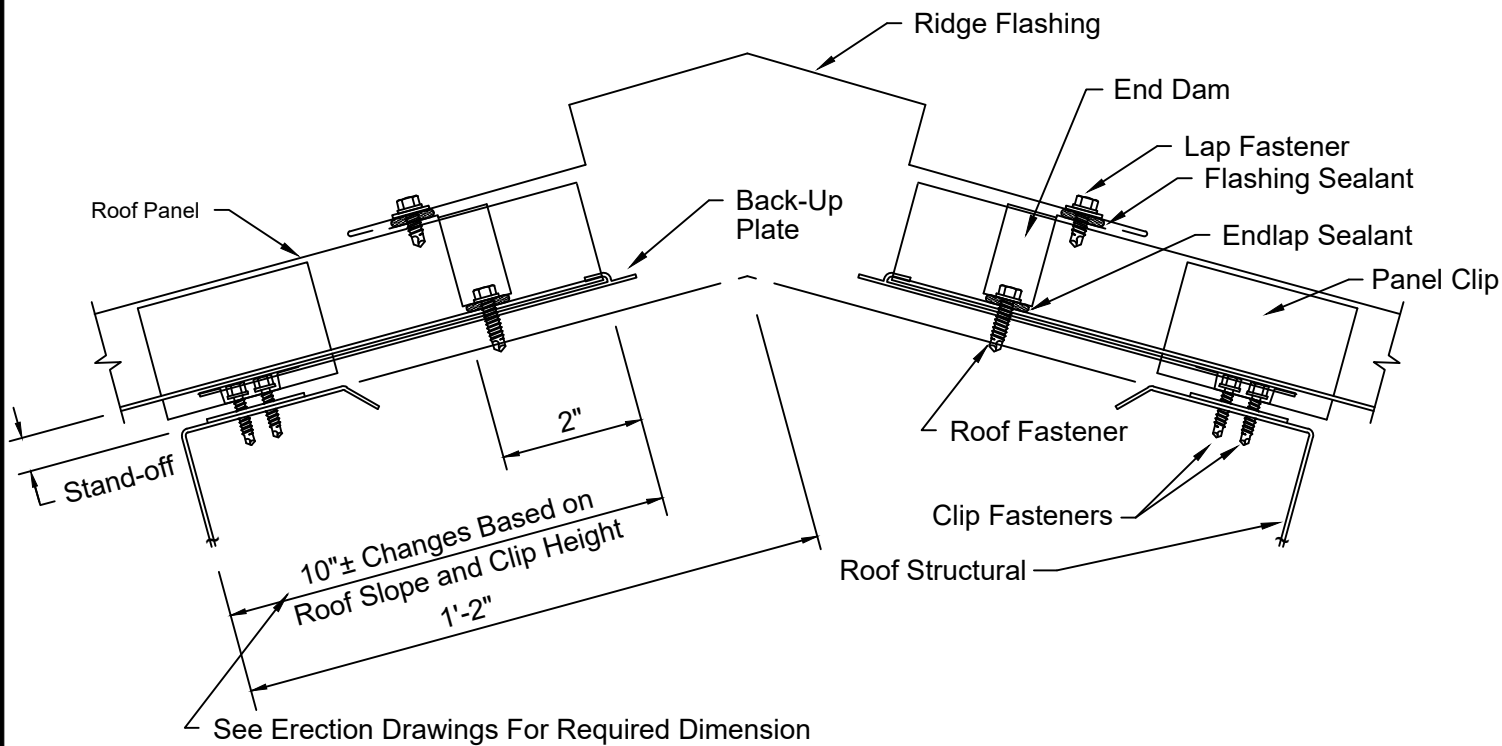
CAUTION
Gutter Is Not Recommended
For Areas That Experience Snow,
Ice, Extreme Rainfall Or Damming Conditions

Eave Section - Eave Gutter



BigbeeVR Roof System Architectural Details

PAGE: 22
REVISION NO: 3
DATE: Feb 2022

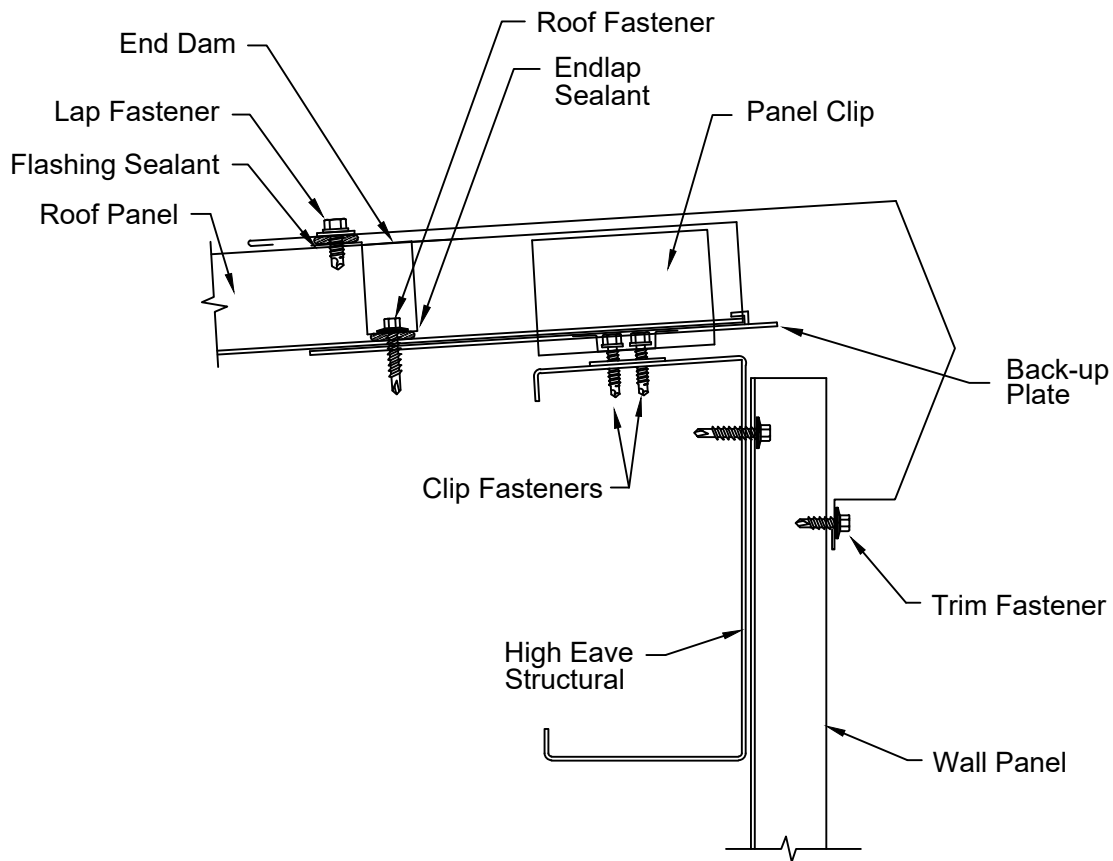


Ridge Section



BigbeeVR Roof System Architectural Details

PAGE: 23
REVISION NO: 3
DATE: Feb 2022

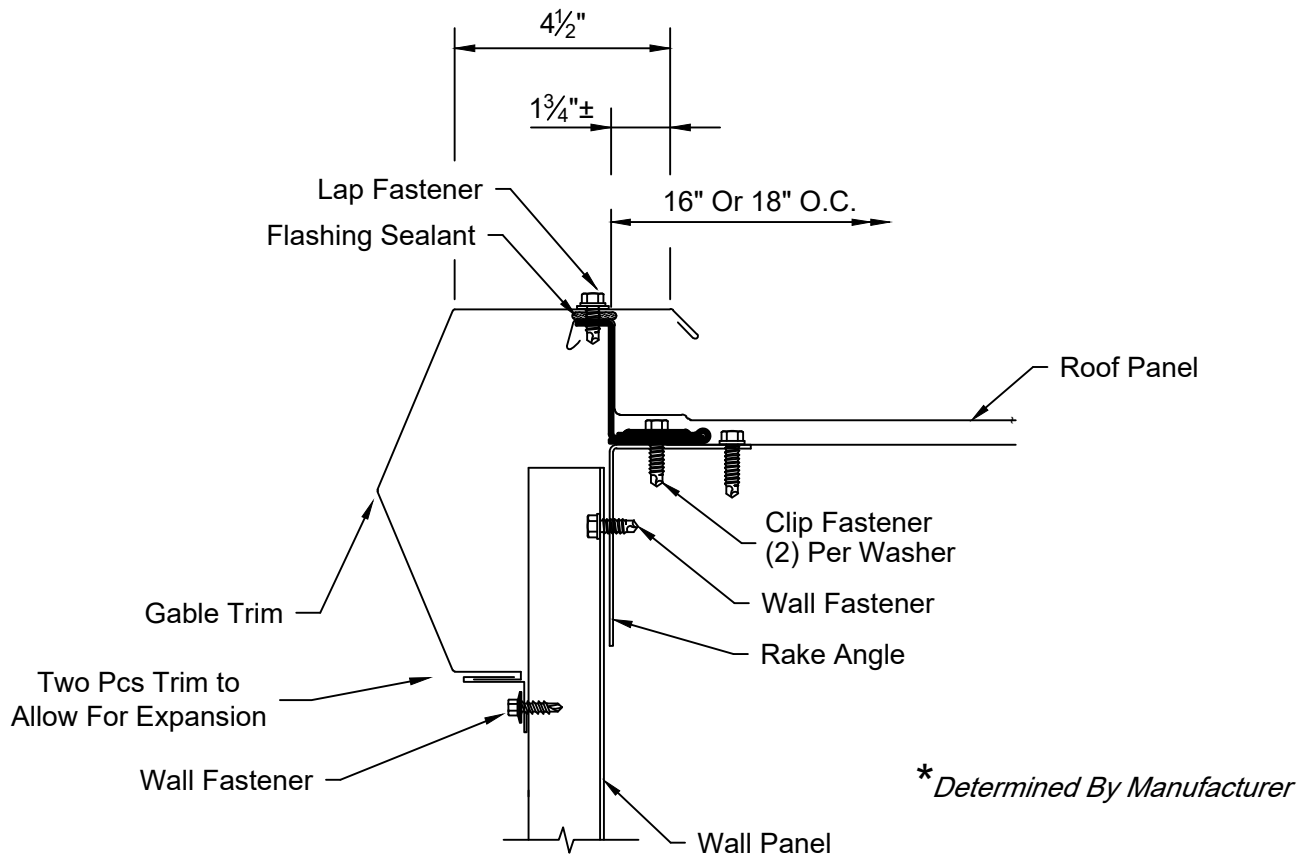


High Eave Section



BigbeeVR Roof System Architectural Details

PAGE: 24
REVISION NO: 3
DATE: Feb 2022

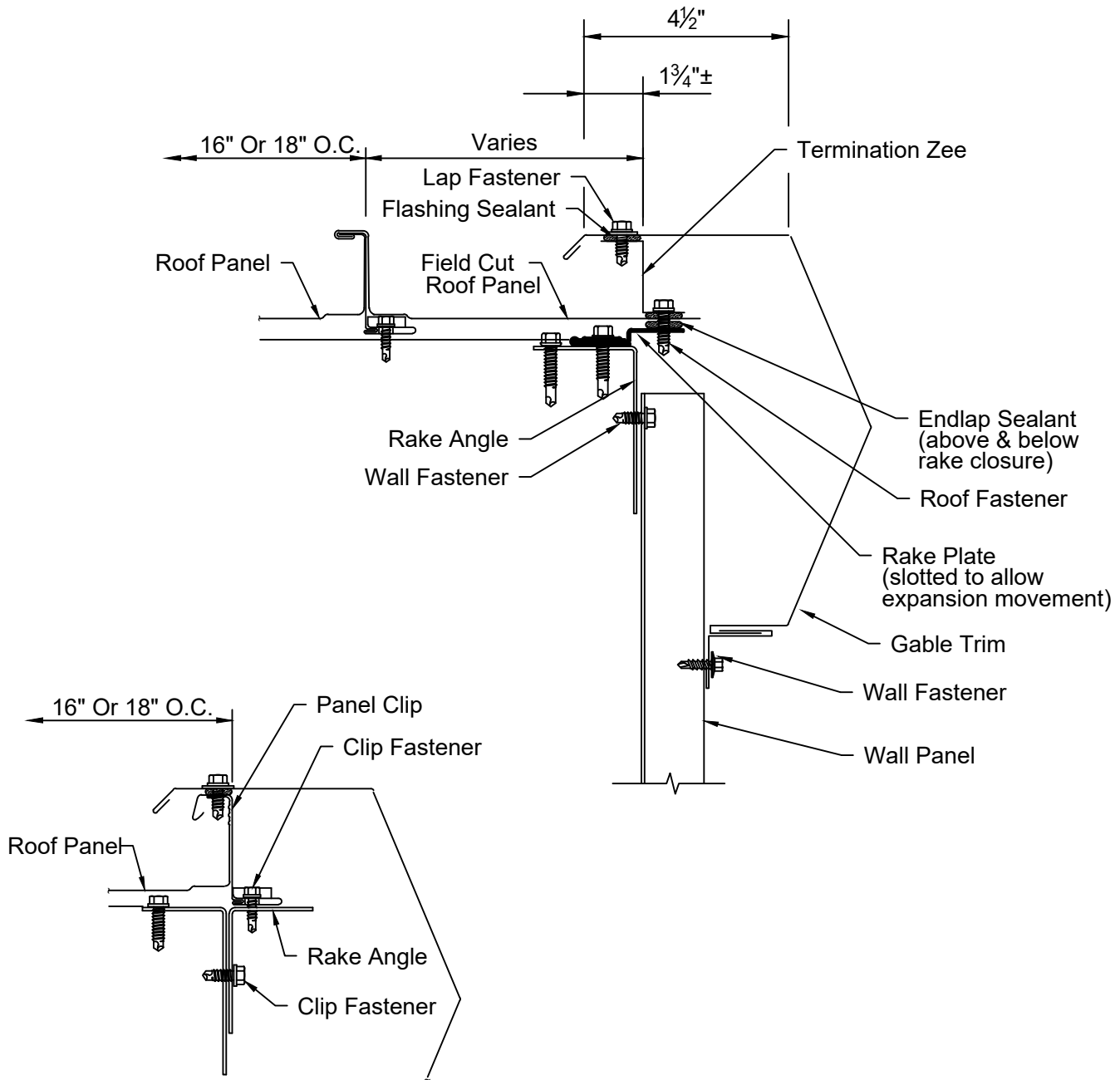


Rake Section - Starting Rake



BigbeeVR Roof System Architectural Details

PAGE: 25
REVISION NO: 3
DATE: Feb 2022



Alternate
Attachment To Roof Panel Seam

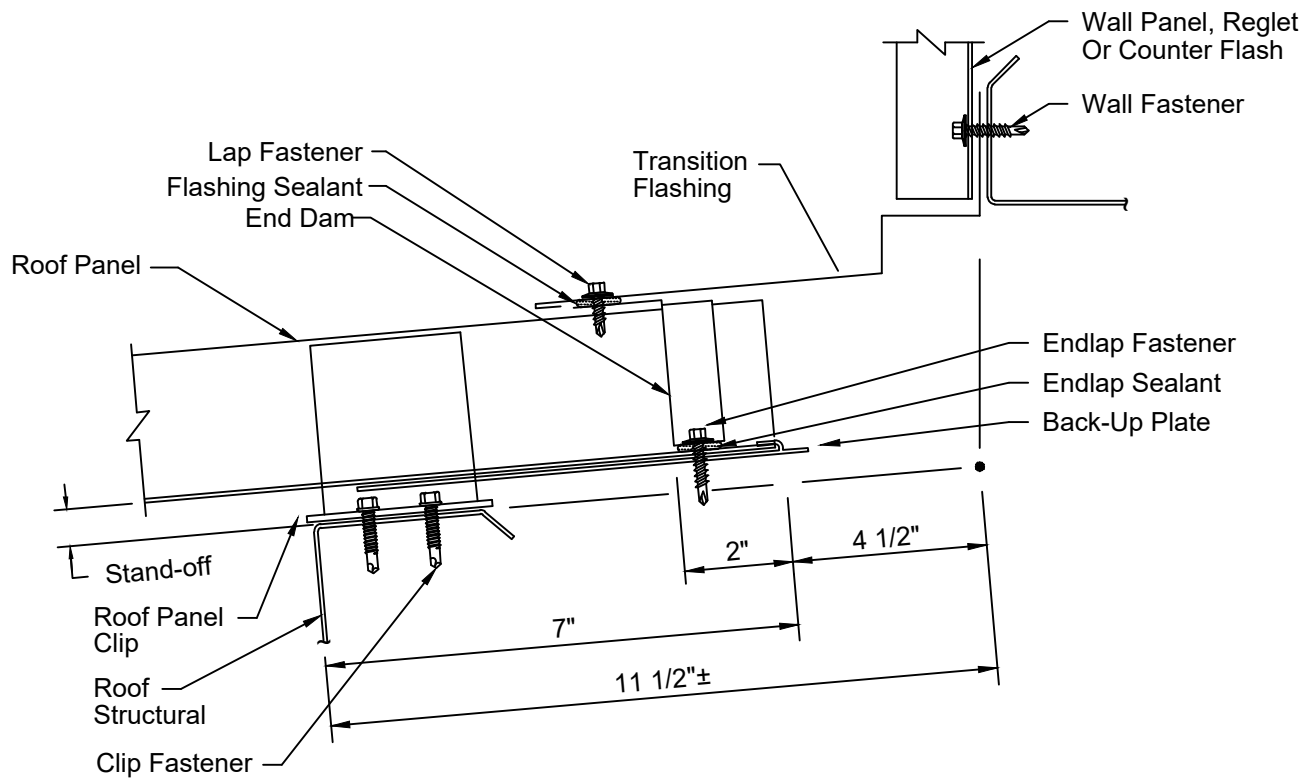
Rake Section - Finish Rake



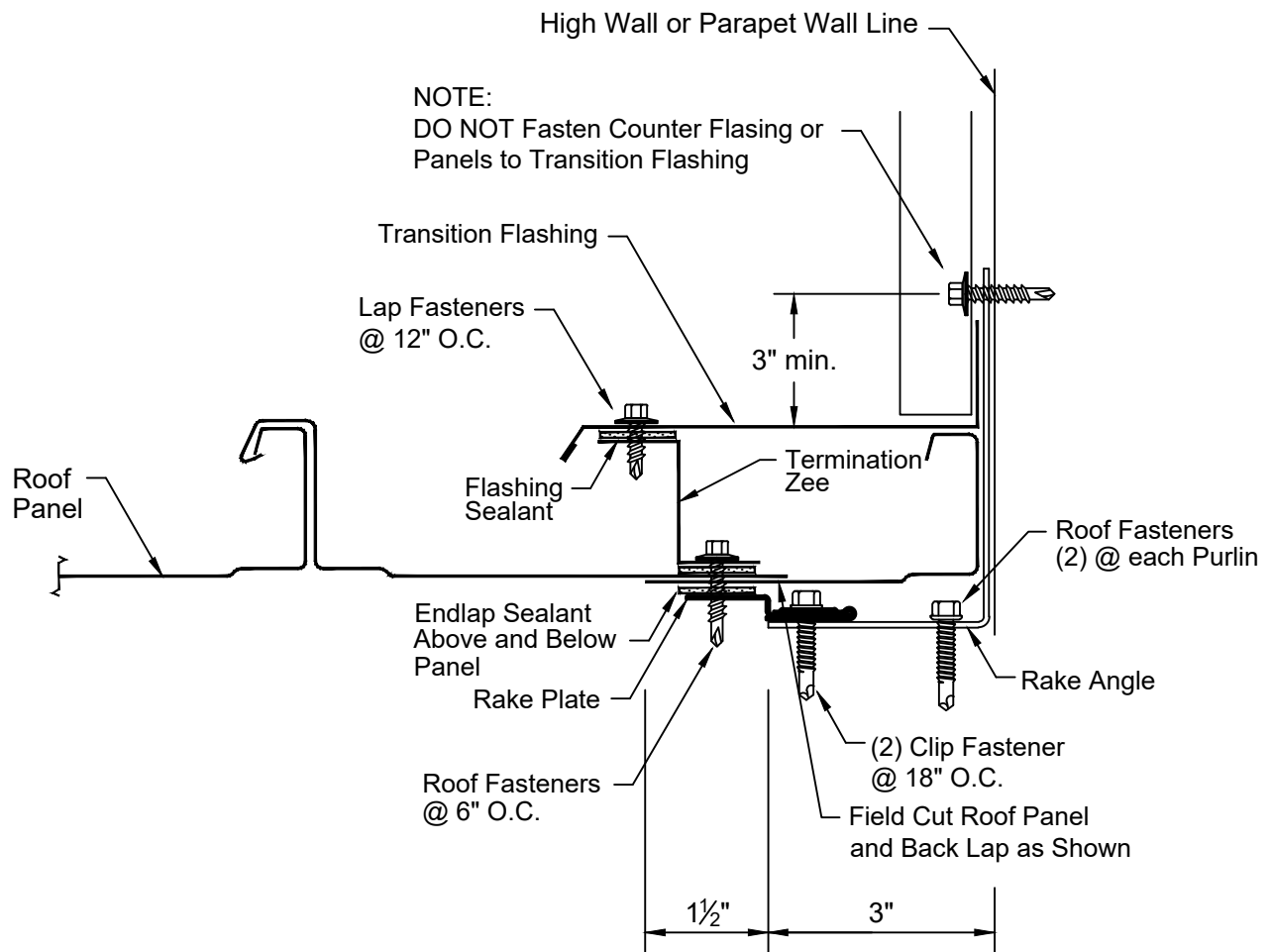
BigbeeVR Roof System Architectural Details

PAGE: 26
REVISION NO: 3
DATE: Feb 2022

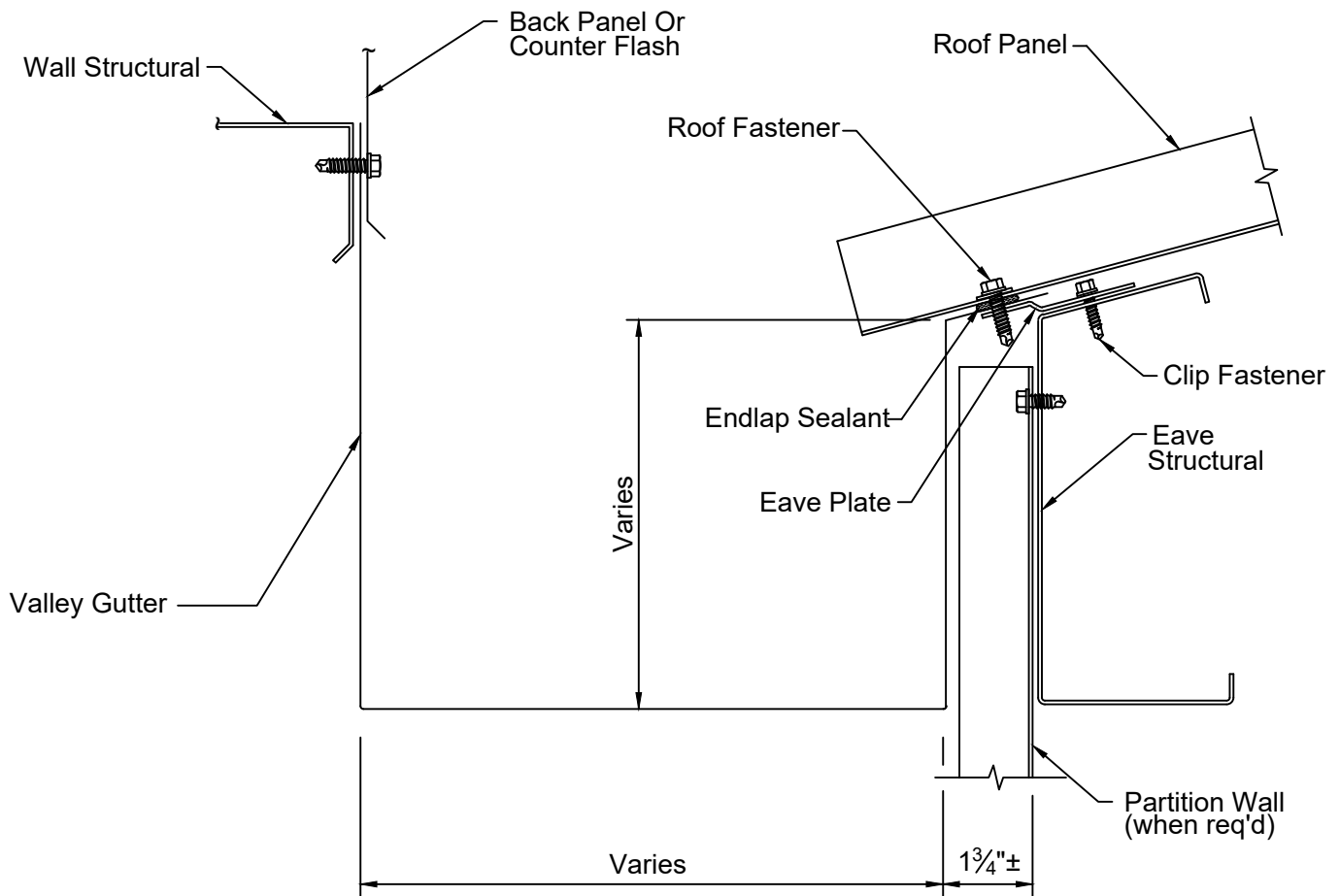
Note: For Clarity Of Detail,
Roof Insulation Is Not Shown



Transition Section - High Eave

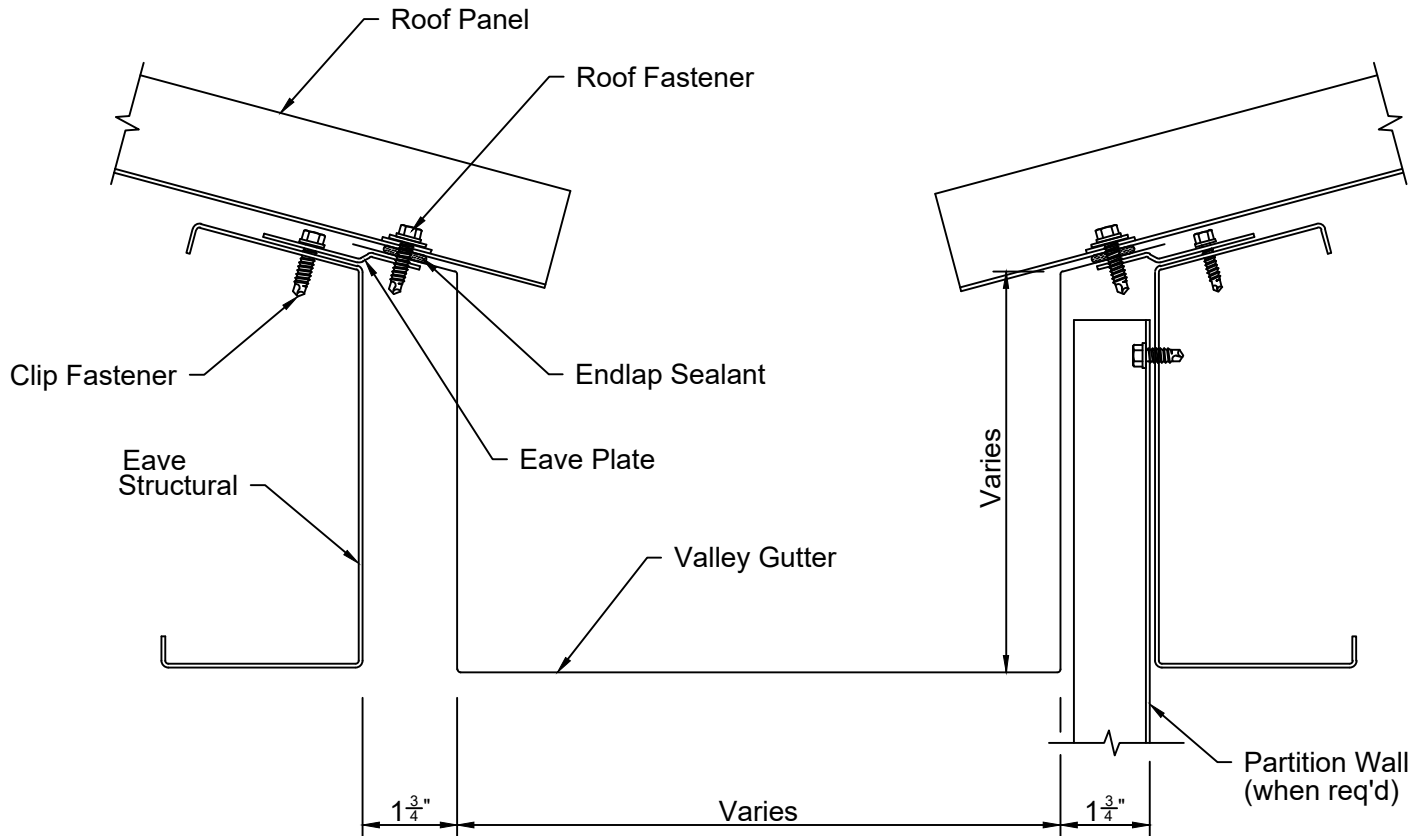


Transition Section-Starting Rake



CAUTION
Interior Gutter Must Be Provided
With Protection From
Corrosion, Icing, Damming &
Interior Condensation

Interior Gutter Section



CAUTION
Interior Gutter Must Be Provided
With Protection From
Corrosion, Icing, Damming &
Interior Condensation

Valley Gutter Section